

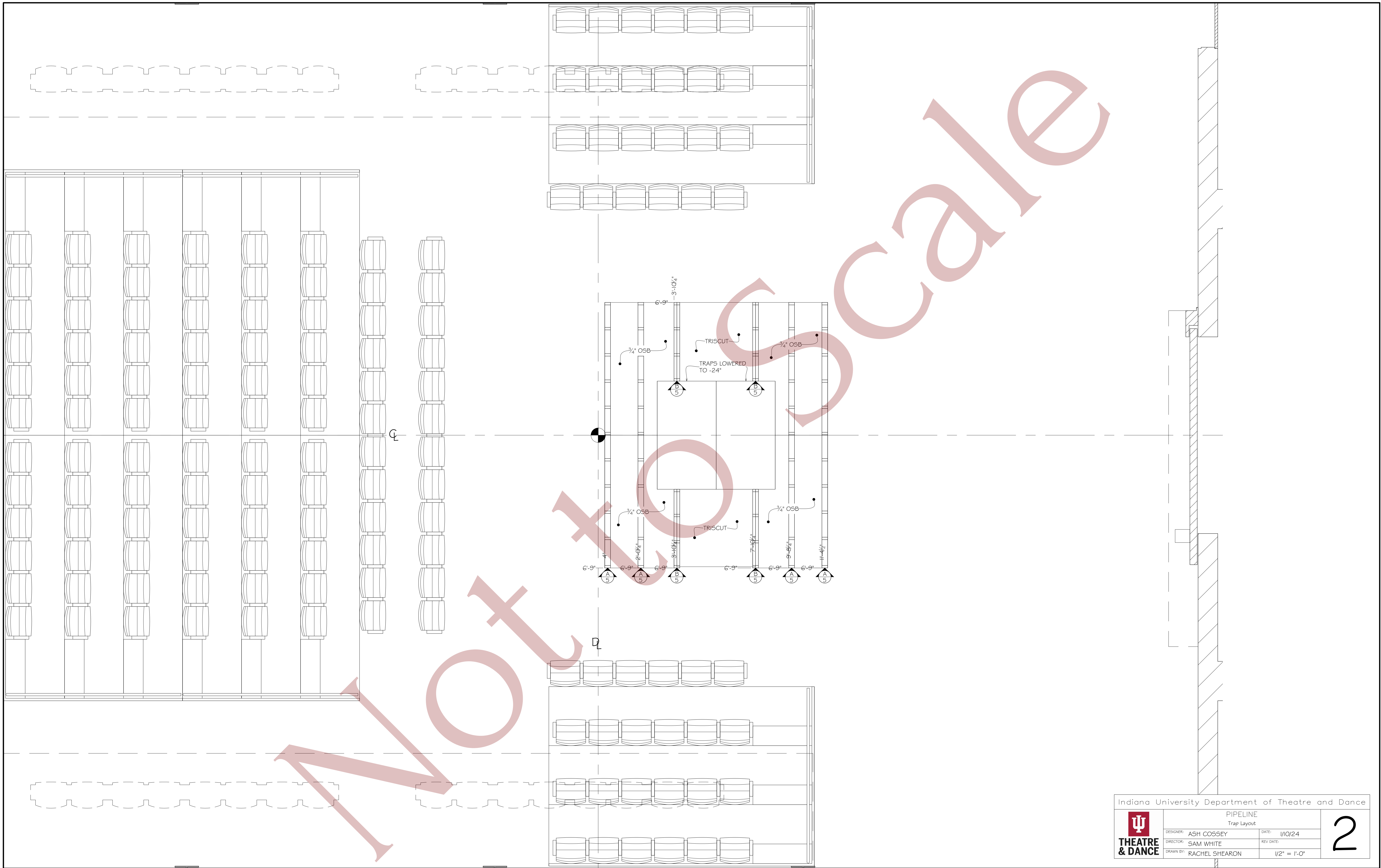

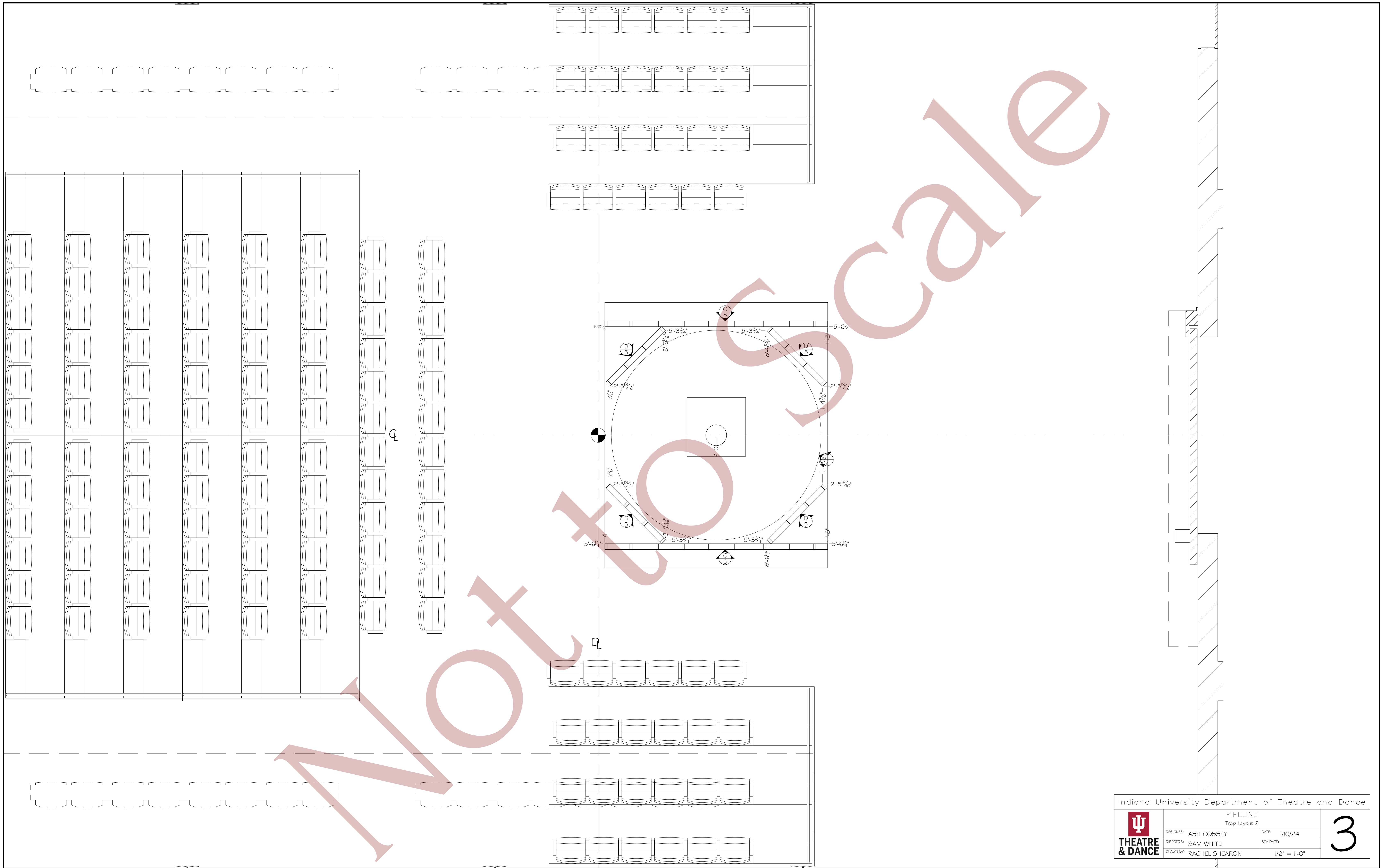



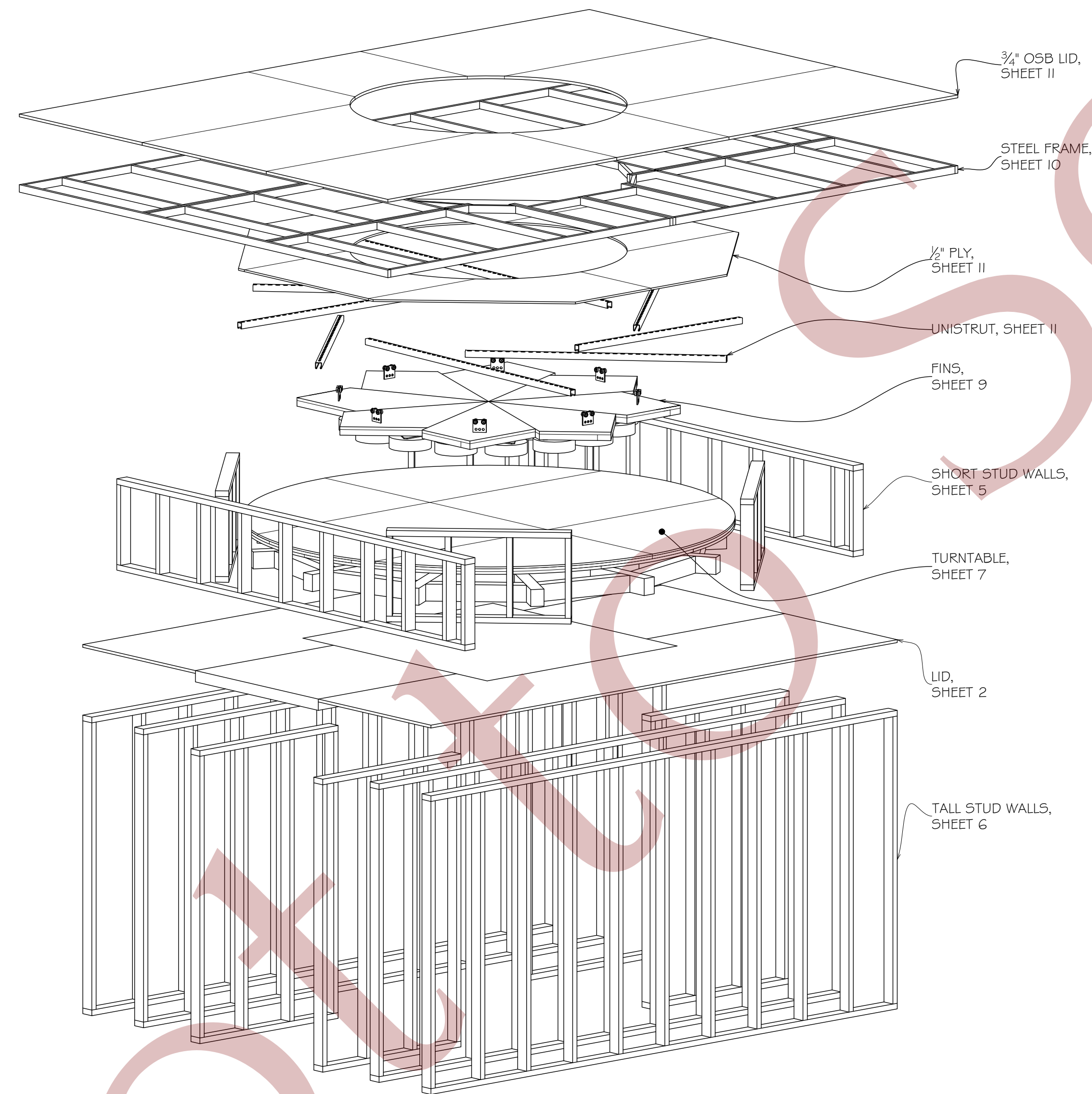
Indiana University Department of Theatre and Dance			
	PIPELINE Groundplan		
DESIGNER: ASH COSSEY	DATE: 1/10/24		
DIRECTOR: SAM WHITE	REV. DATE:		
DRAWN BY: RACHEL SHEARON	1/4" = 1'-0"		




Indiana University Department of Theatre and Dance		2
 <b>THEATRE &amp; DANCE</b>	<b>PIPELINE</b> Trap Layout	
	DESIGNER: ASH COSSEY DIRECTOR: SAM WHITE DRAWN BY: RACHEL SHEARON	

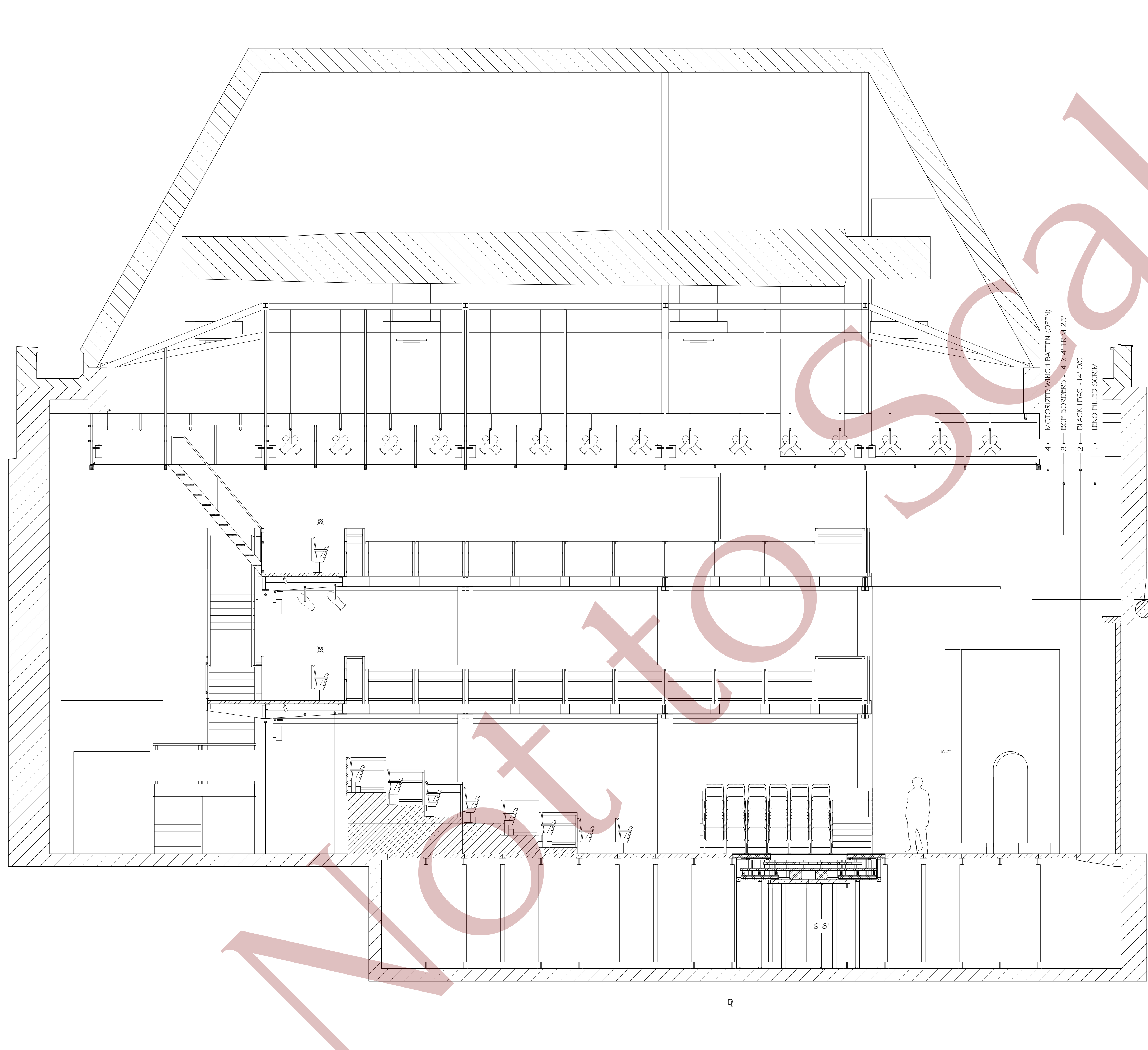


Indiana University Department of Theatre and Dance		3
 <b>THEATRE &amp; DANCE</b>	PIPELINE	
	Trap Layout 2	
DESIGNER: ASH COSSEY	DATE: 1/10/24	
DIRECTOR: SAM WHITE	REV. DATE:	
DRAWN BY: RACHEL SHEARON	1/2" = 1'-0"	

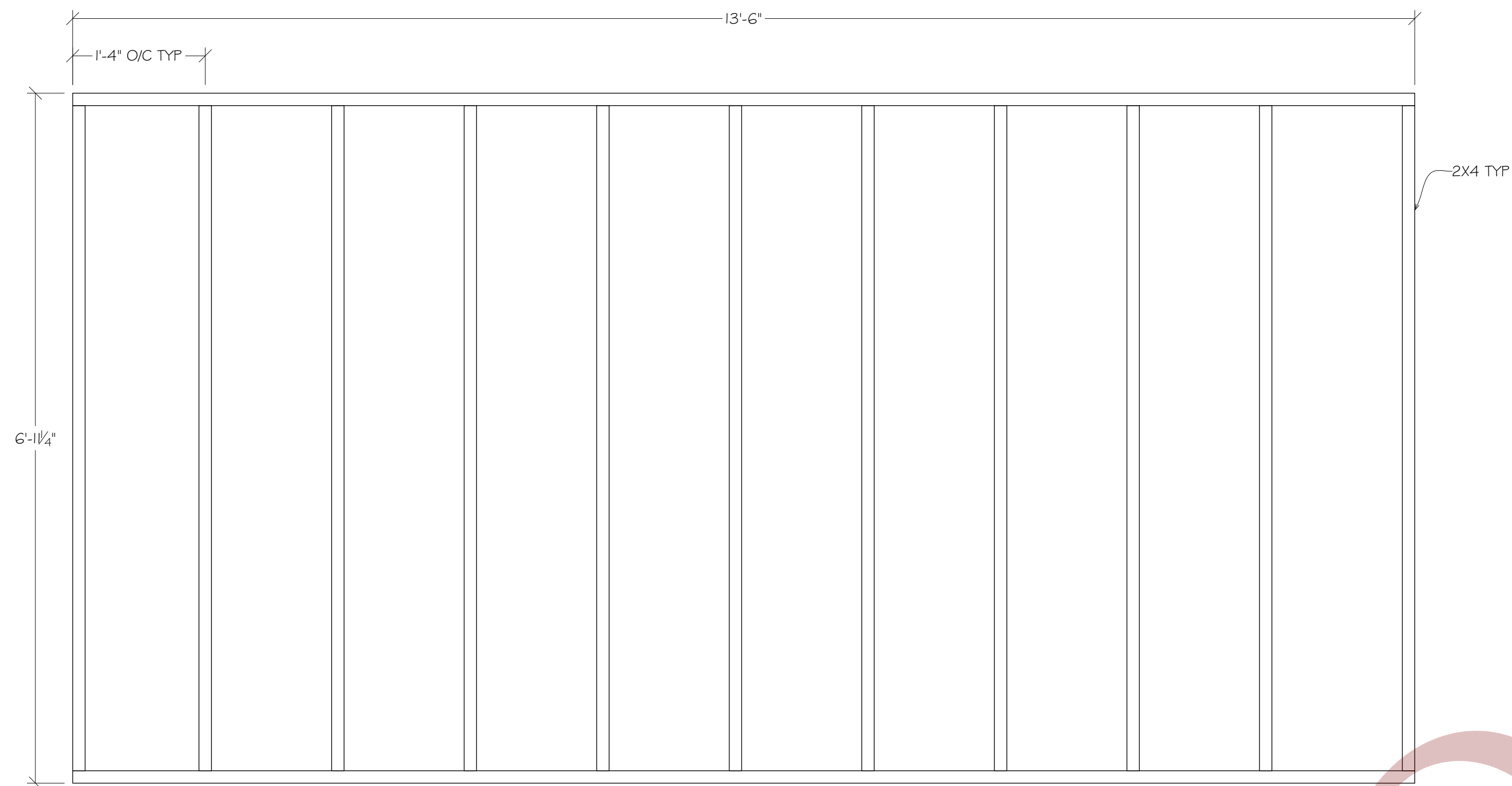


ISOMETRIC VIEW  
EXPLODED TRAP LAYOUT

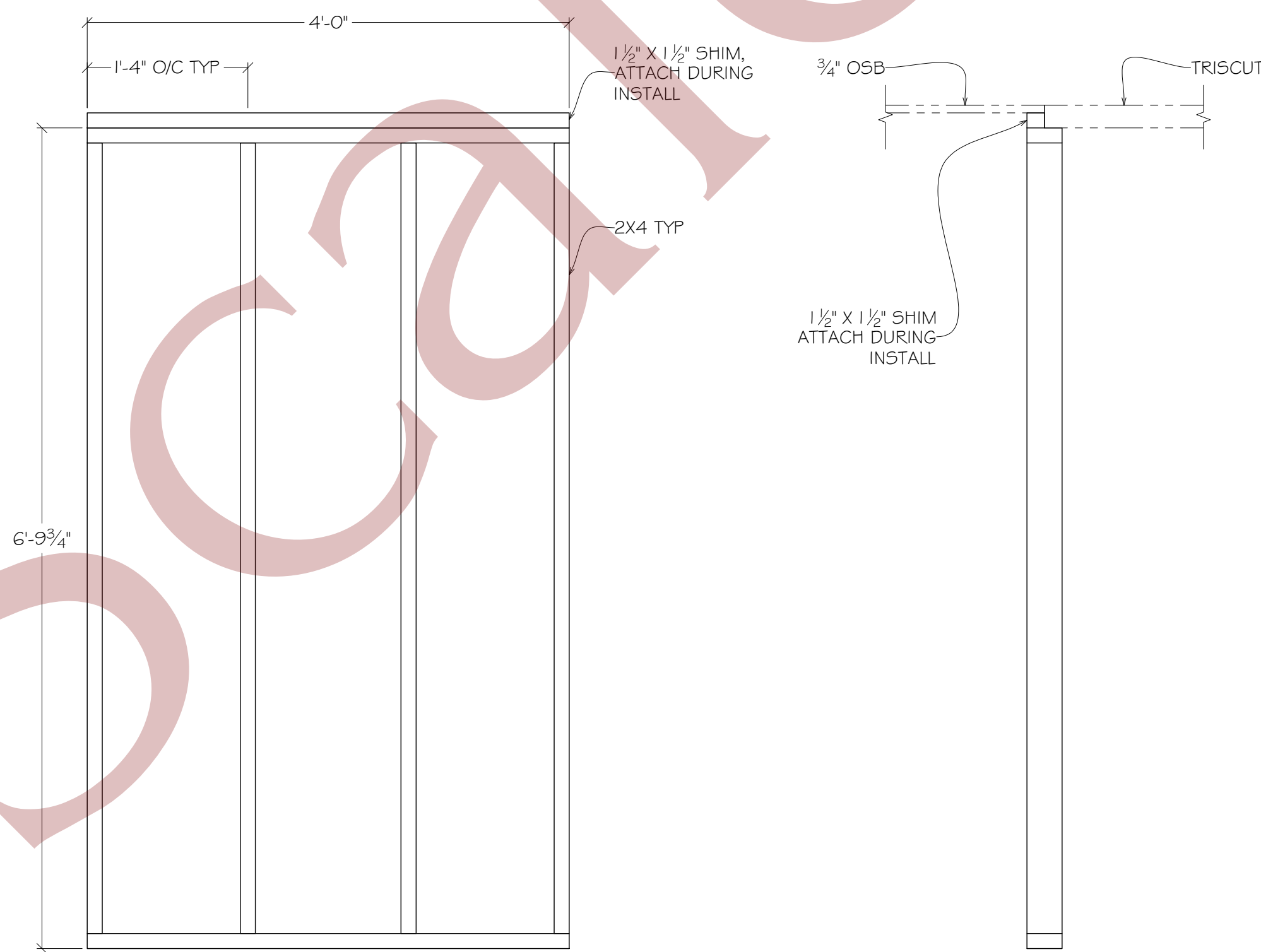
Indiana University Department of Theatre and Dance		4	
 <b>THEATRE &amp; DANCE</b>	PIPELINE EXPLODED TRAP		
	DESIGNER: ASH COSSEY		DATE: 1/10/24
DIRECTOR: SAM WHITE	REV. DATE:		
DRAWN BY: RACHEL SHEARON	1/2" = 1'-0"		



Indiana University Department of Theatre and Dance	
PIPELINE Centerline Section	
DESIGNER: ASH COSSEY	DATE: 1/10/24
DIRECTOR: SAM WHITE	REV. DATE:
DRAWN BY: RACHEL SHEARON	1/4" = 1'-0"

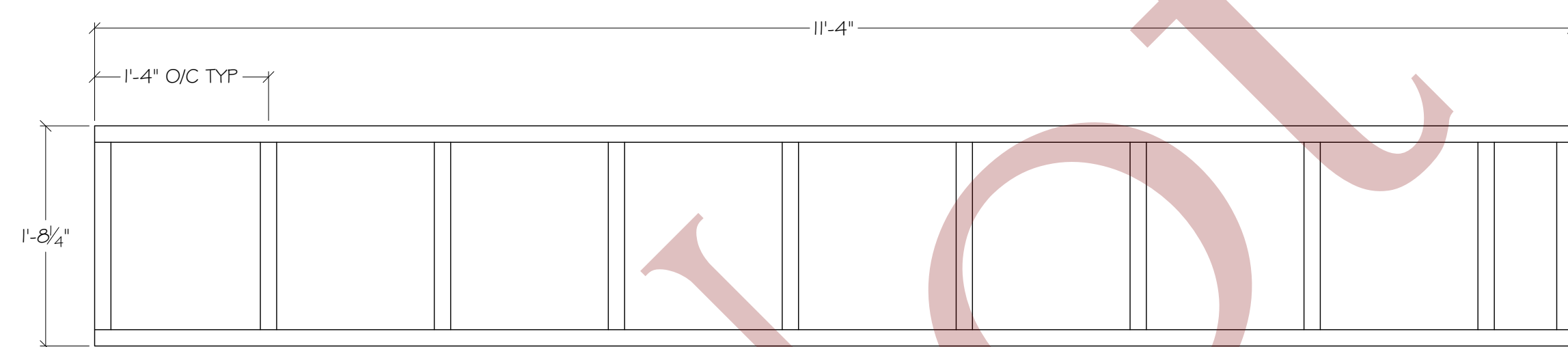


FRONT VIEW  
STUD A  
BUILD 4

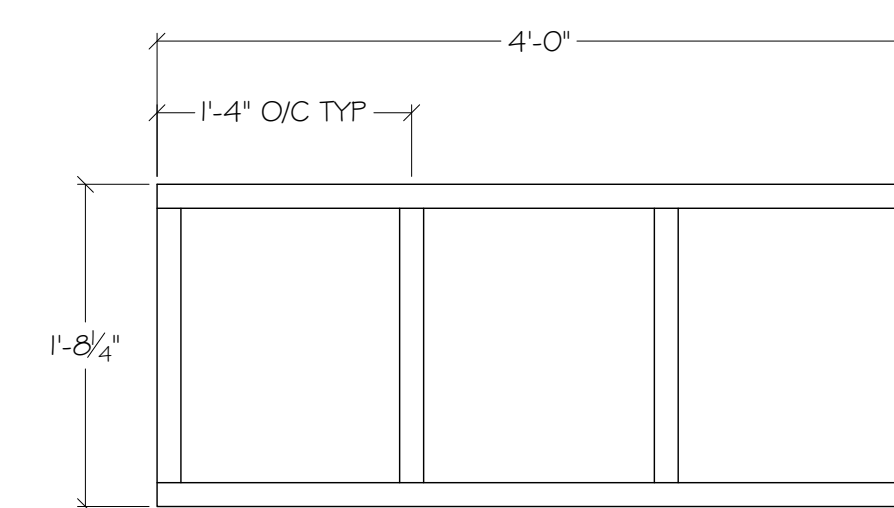


FRONT VIEW  
STUD B  
BUILD 4


SIDE VIEW  
STUD B

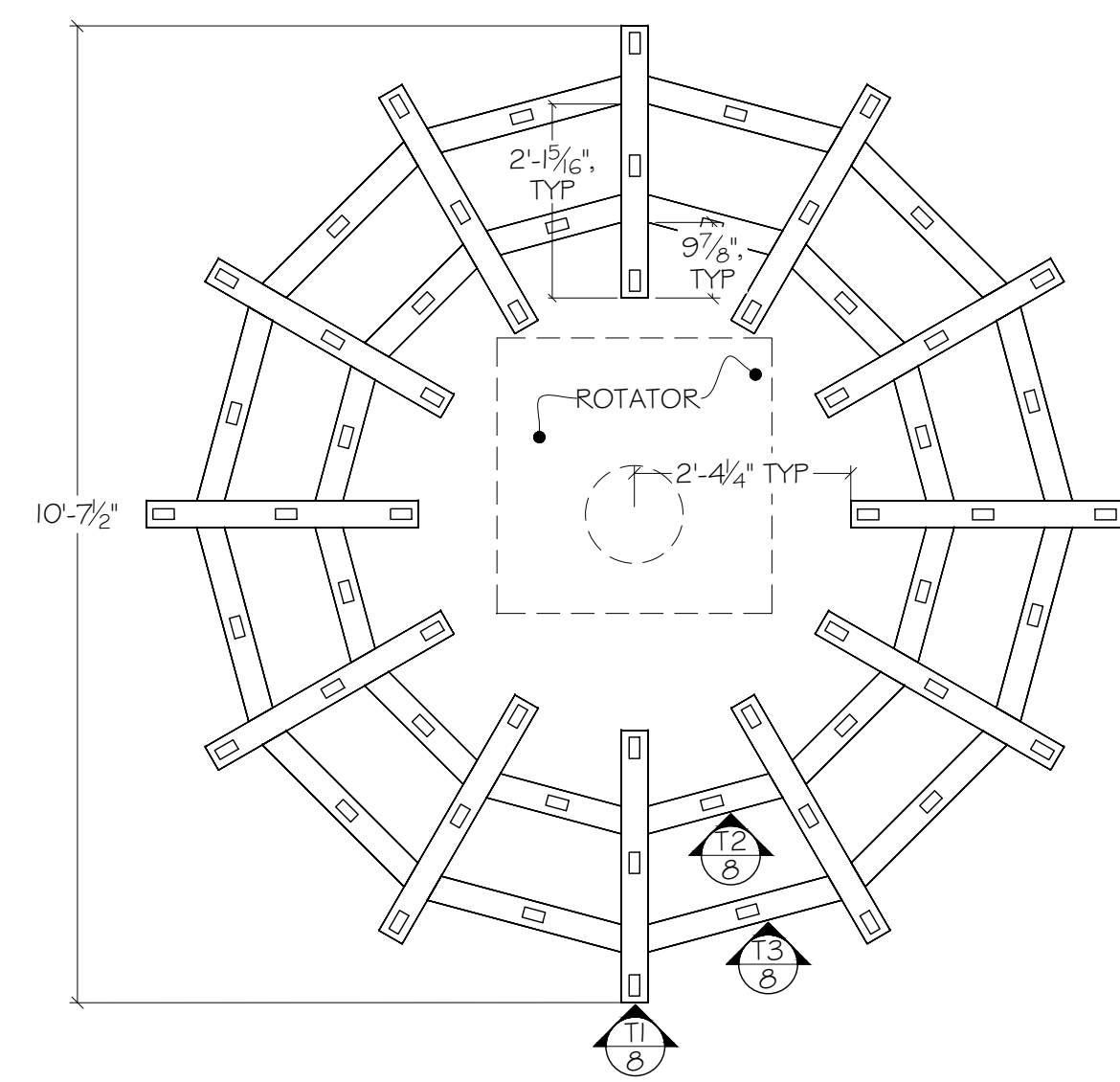


FRONT VIEW  
STUD C  
BUILD 2

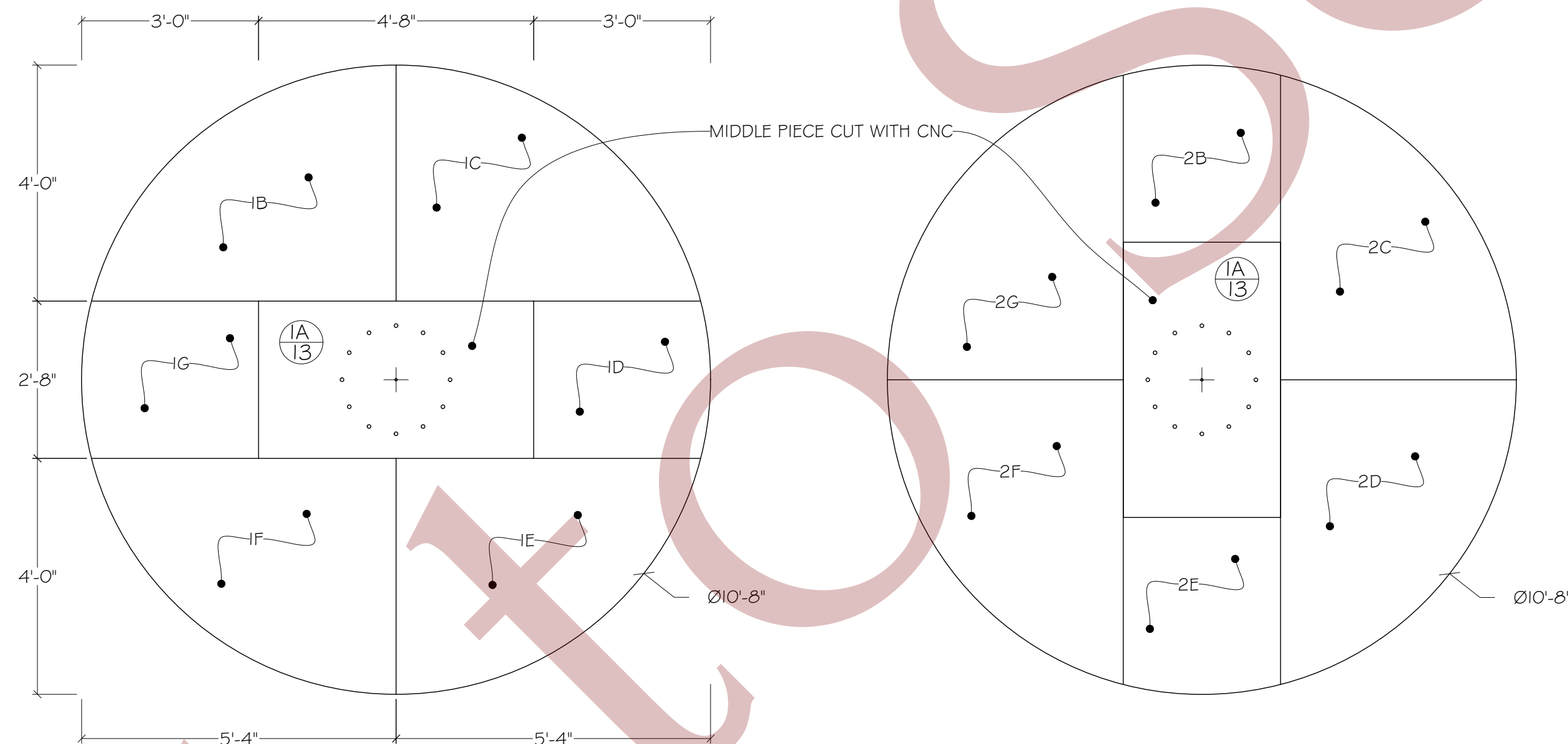


FRONT VIEW  
STUD D  
BUILD 4

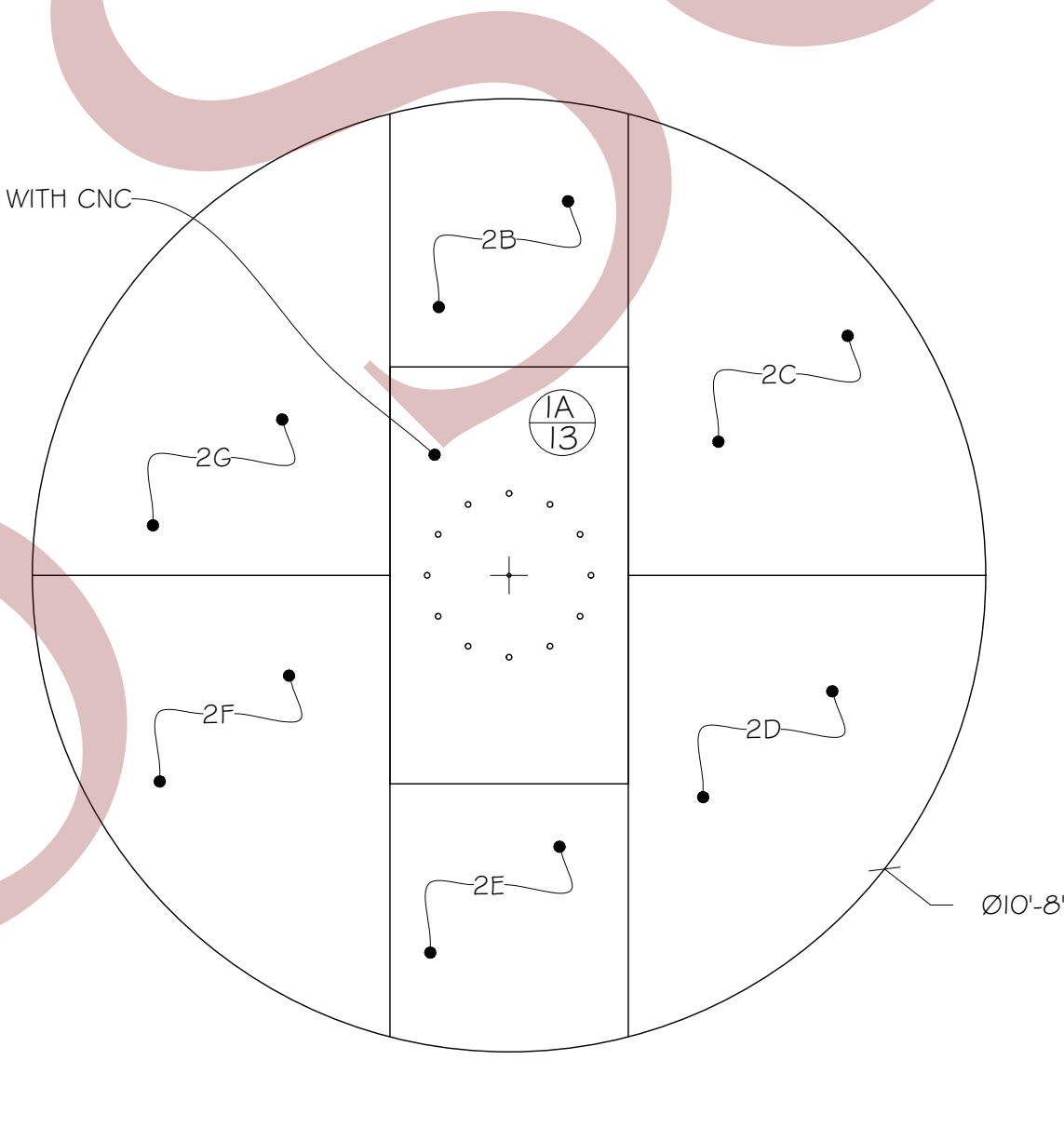
Indiana University Department of Theatre and Dance			
 <b>THEATRE &amp; DANCE</b>	PIPELINE STUD WALLS		6
	DESIGNER: ASH COSSEY	DATE: 1/10/24	
	DIRECTOR: SAM WHITE	REV DATE:	
	DRAWN BY: RACHEL SHEARON	1" = 1'-0"	



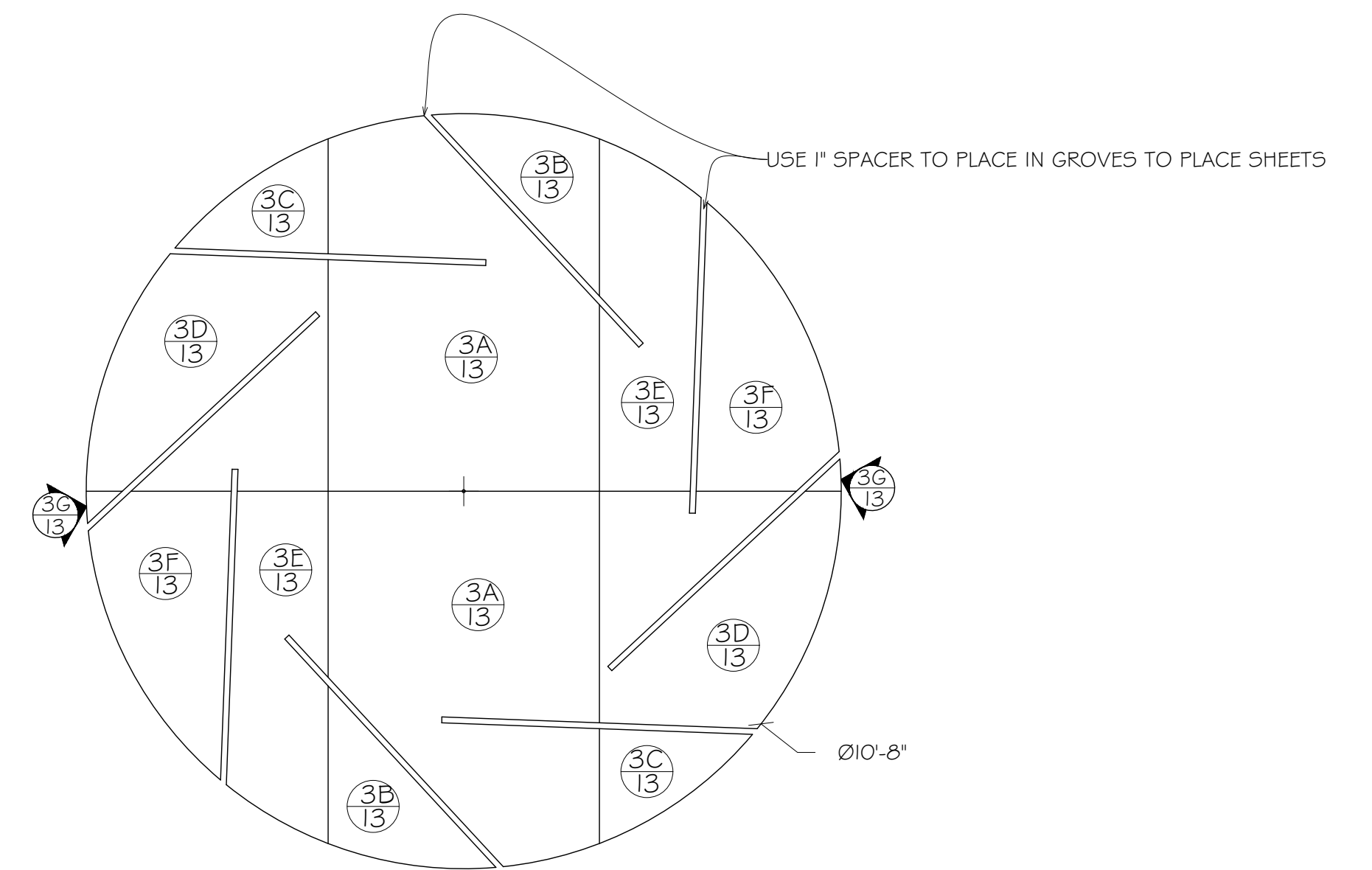
TOP VIEW  
CASTER LAYOUT



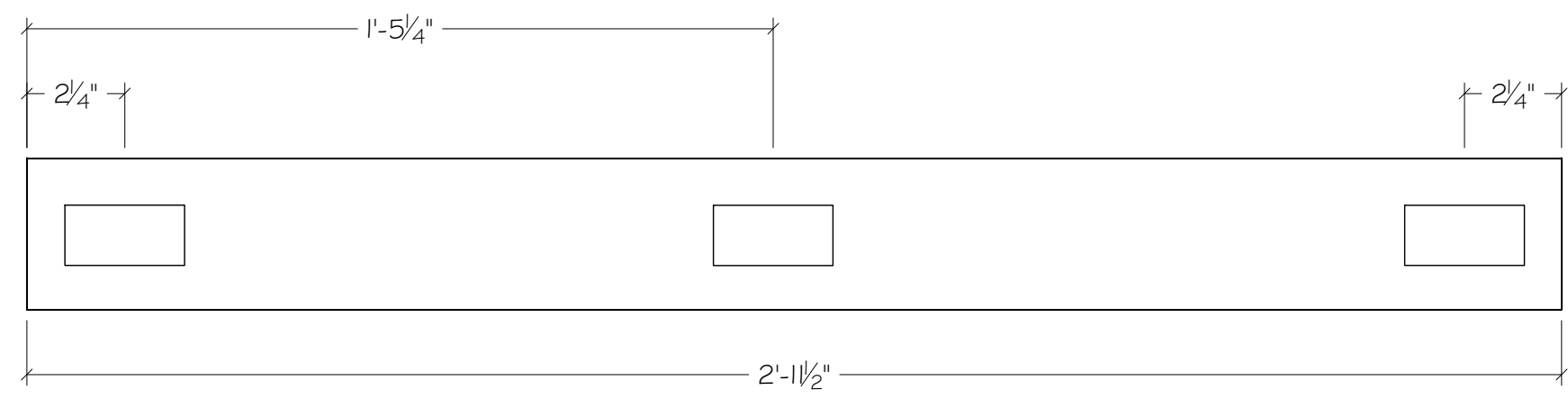
TOP VIEW  
TURNTABLE LAYER I - 3/4\"/>



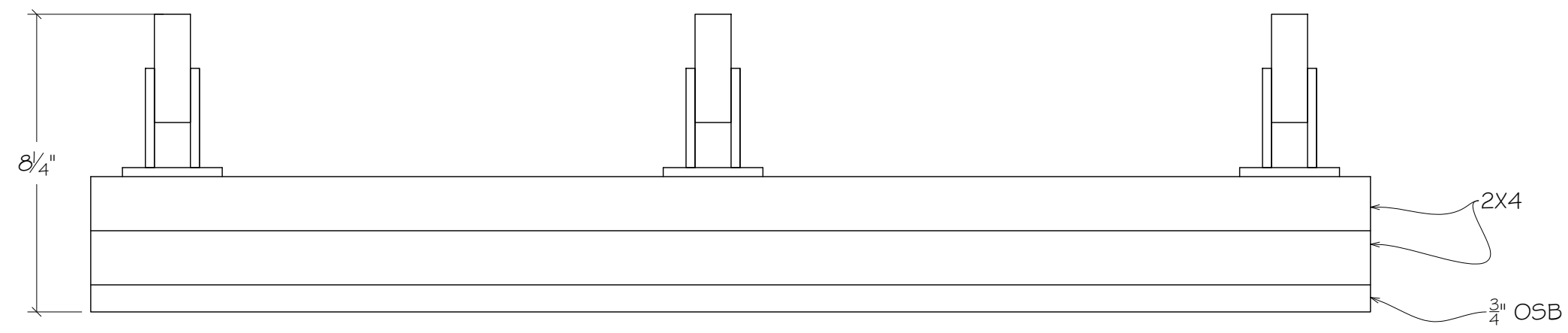
TOP VIEW  
TURNTABLE LAYER I - 3/4\"/>



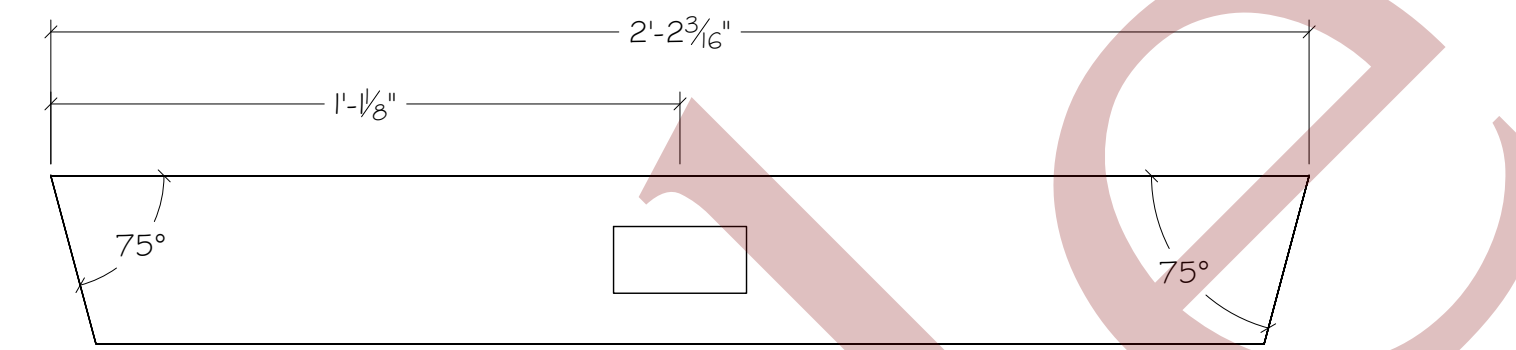
TOP VIEW  
TURNTABLE LAYER I - 3/4\"/>



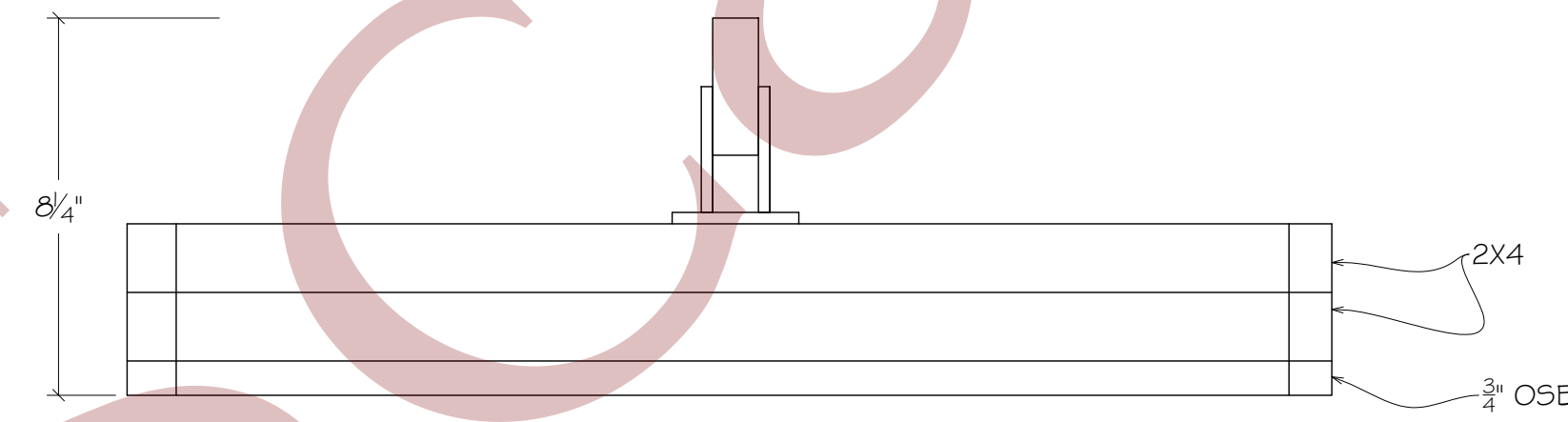
TOP VIEW  
CASTERS T1  
MAKE 12



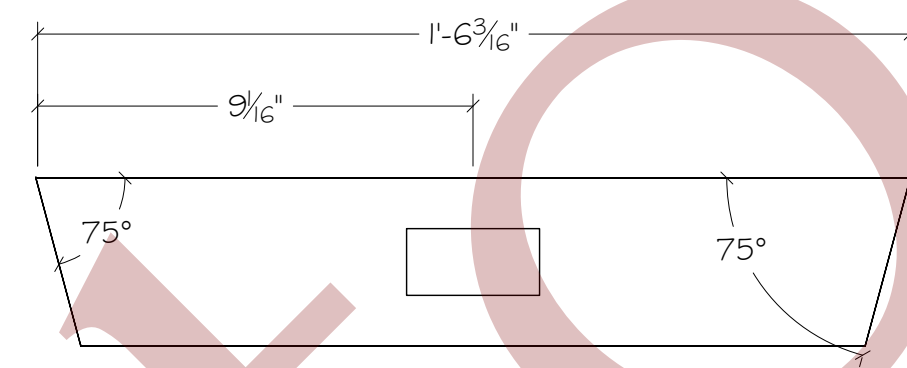
FRONT VIEW  
CASTERS T1



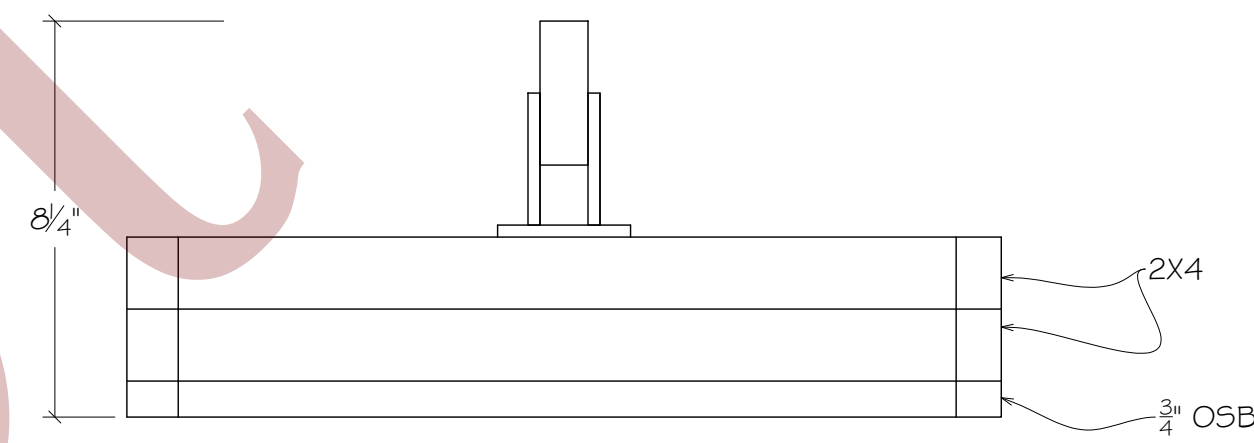
TOP VIEW  
CASTERS T2  
MAKE 12



FRONT VIEW  
CASTERS T2



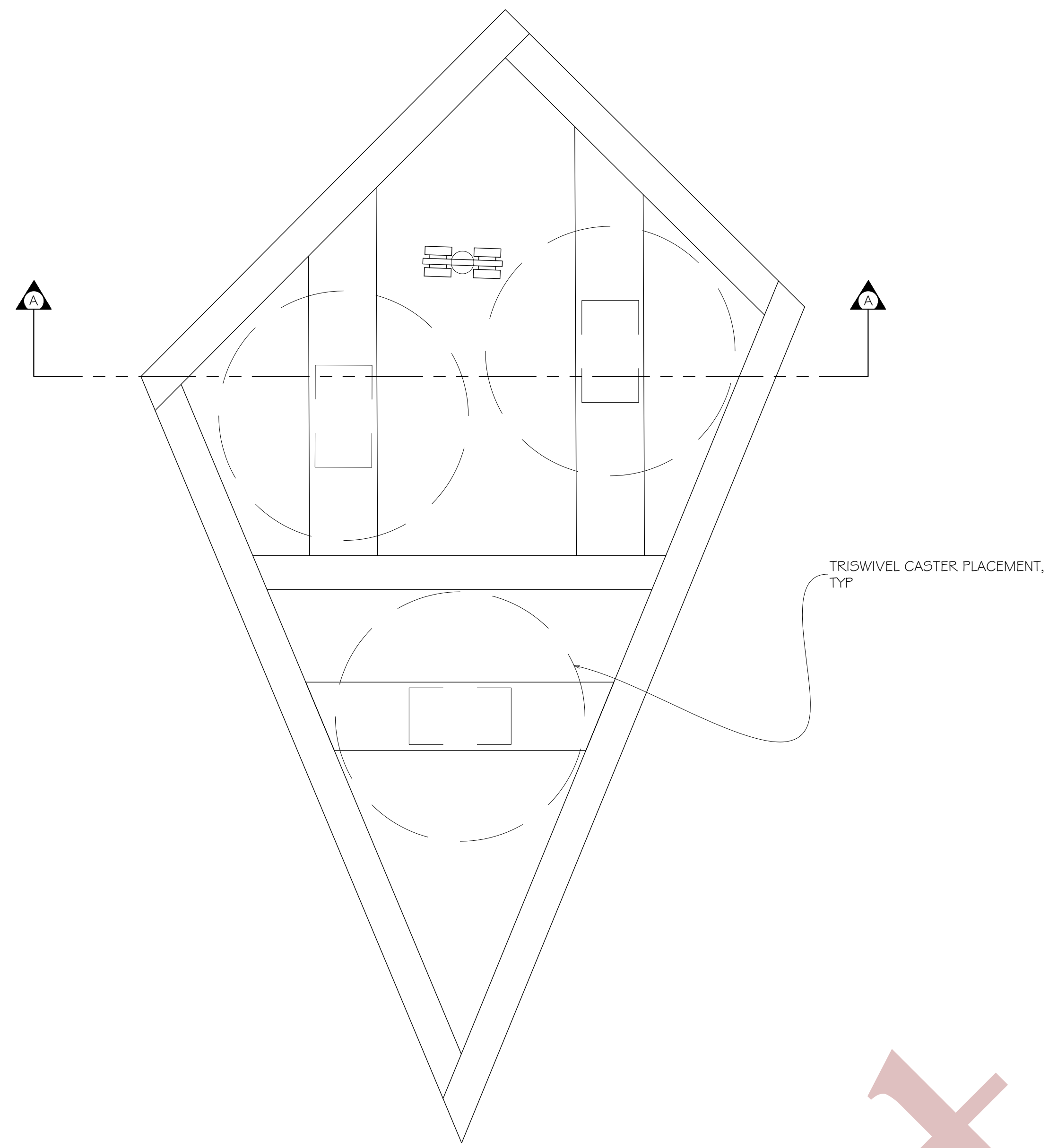
TOP VIEW  
CASTERS T3  
MAKE 12



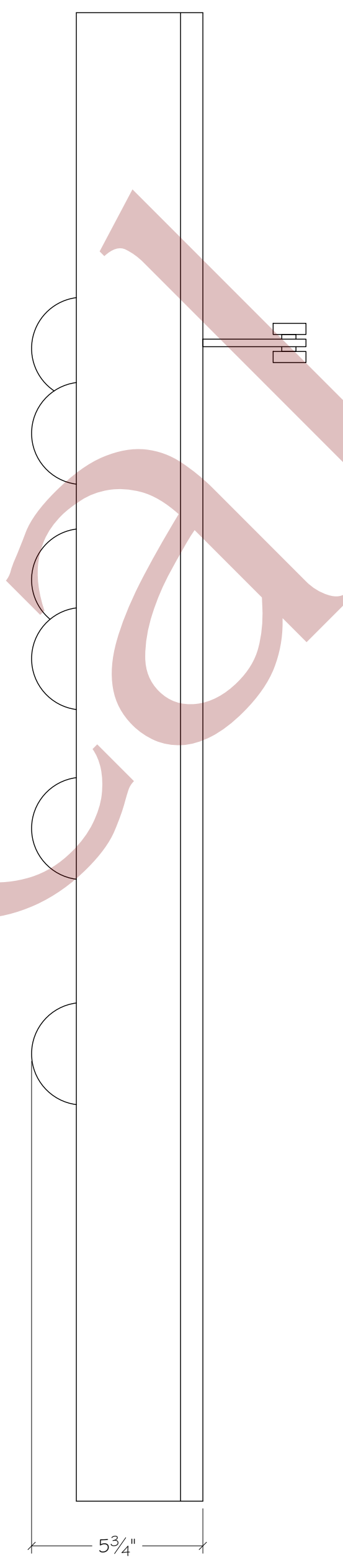
FRONT VIEW  
CASTERS T3

NOT FOR CONSTRUCTION

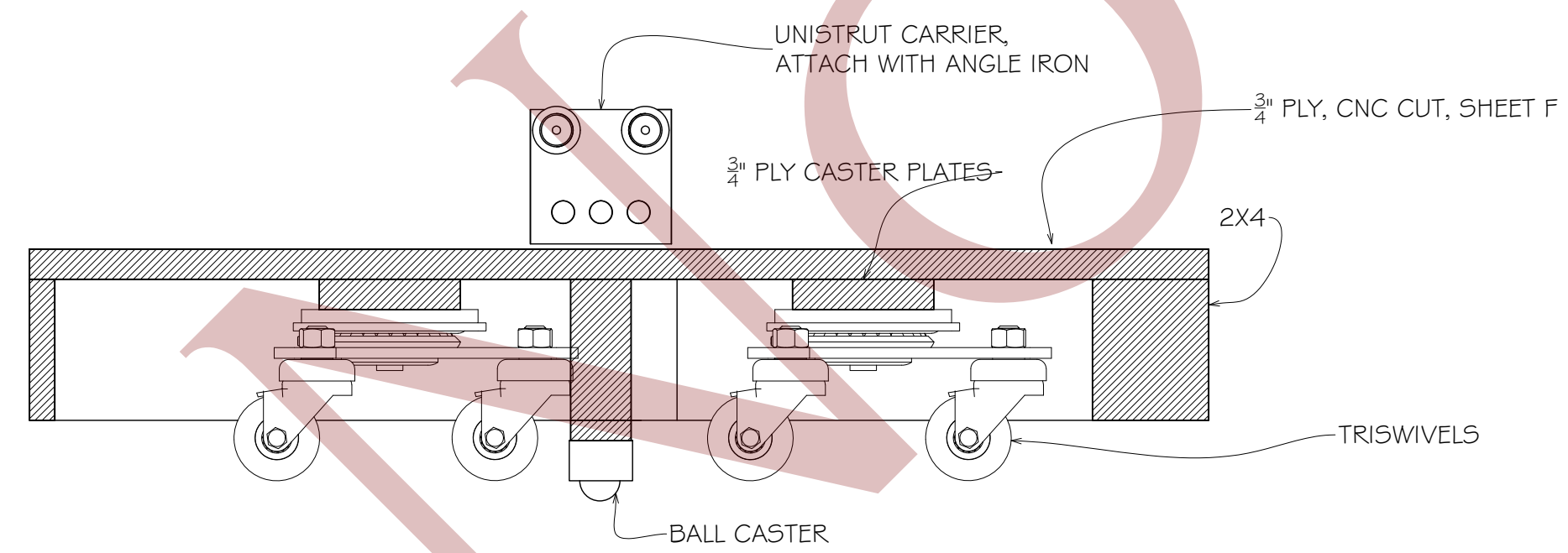
Indiana University Department of Theatre and Dance			
	PIPELINE		
	TURNABLE CASTERS		
	DESIGNER: ASH COSSEY	DATE: 1/10/24	8
	DIRECTOR: SAM WHITE	REV DATE:	
DRAWN BY: RACHEL SHEARON	3" = 1'-0"		



TOP VIEW  
FIN5  
BUILD 8



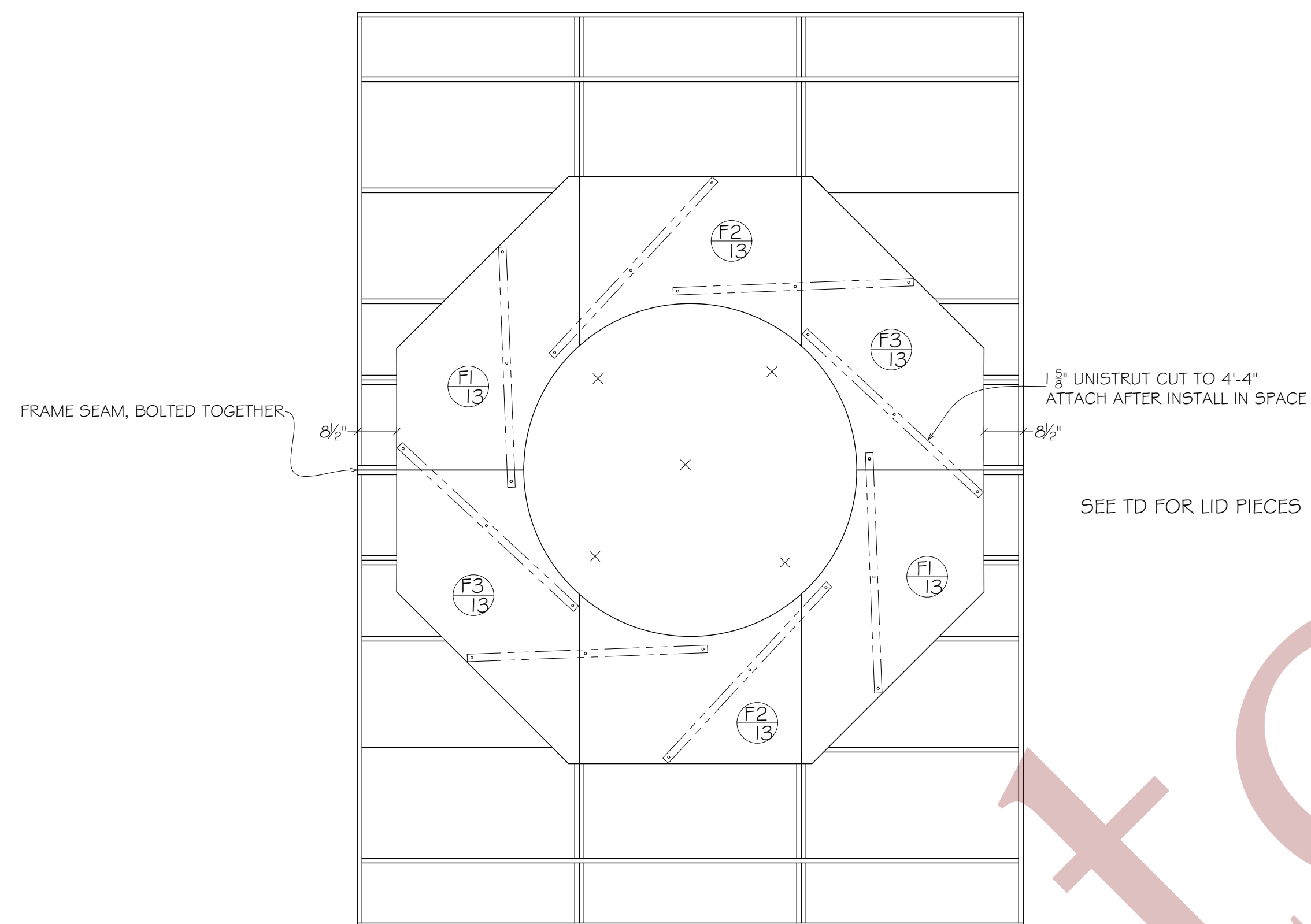
SIDE VIEW  
FIN5  
BUILD 8



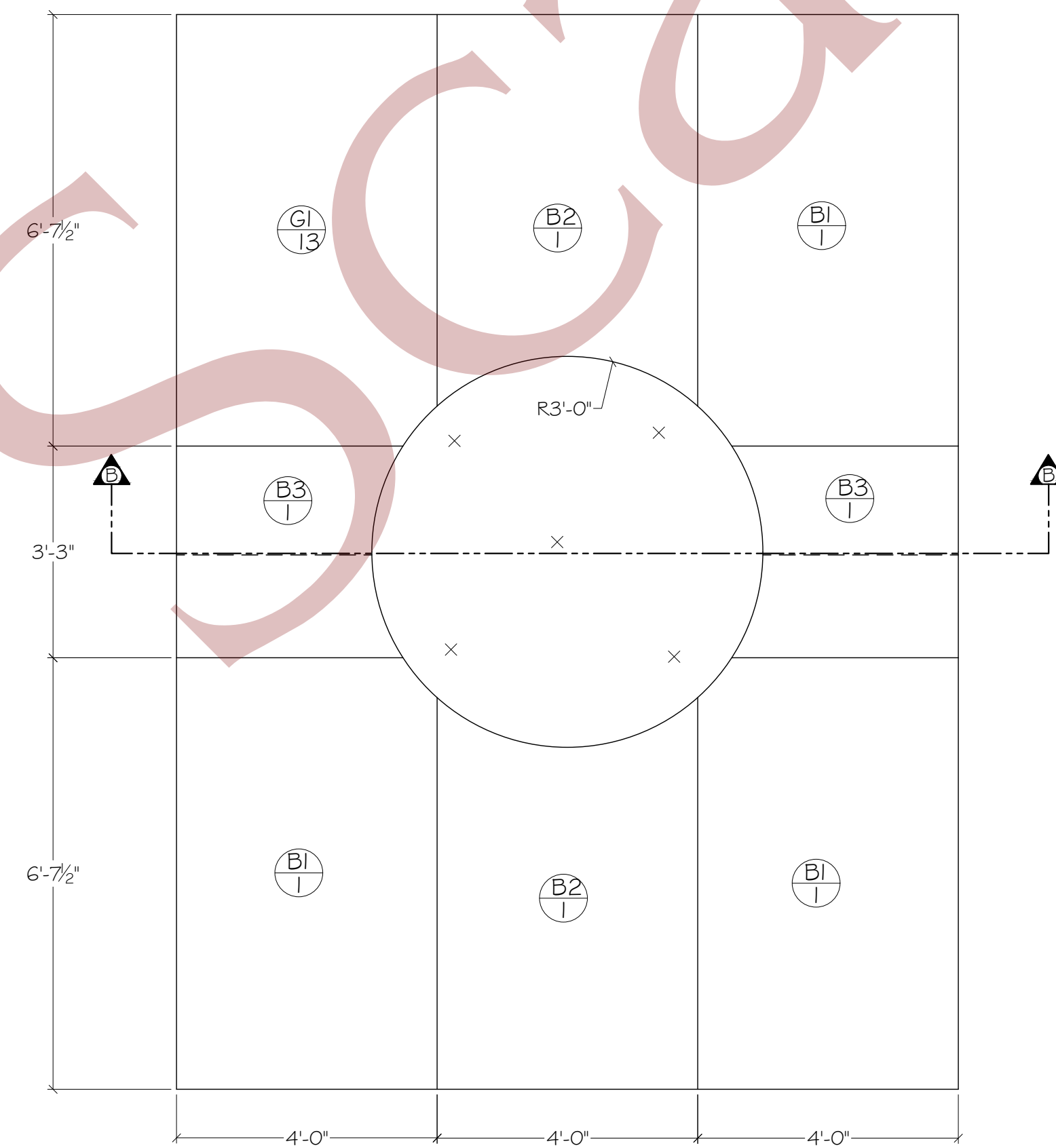
SECTION A-A  
FIN5

Indiana University Department of Theatre and Dance		9	
	PIPELINE FIN5		
	DESIGNER: ASH COSSEY		DATE: 1/10/24
DIRECTOR: SAM WHITE	REV. DATE:		
DRAWN BY: RACHEL SHEAORN	3" = 1'-0"		

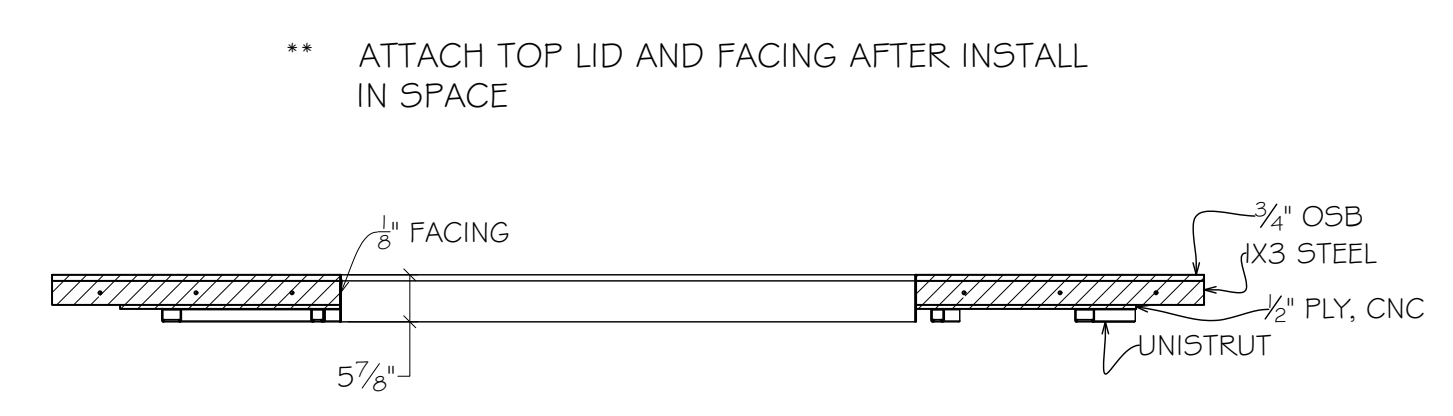




REAR VIEW  
TRAP PLUG

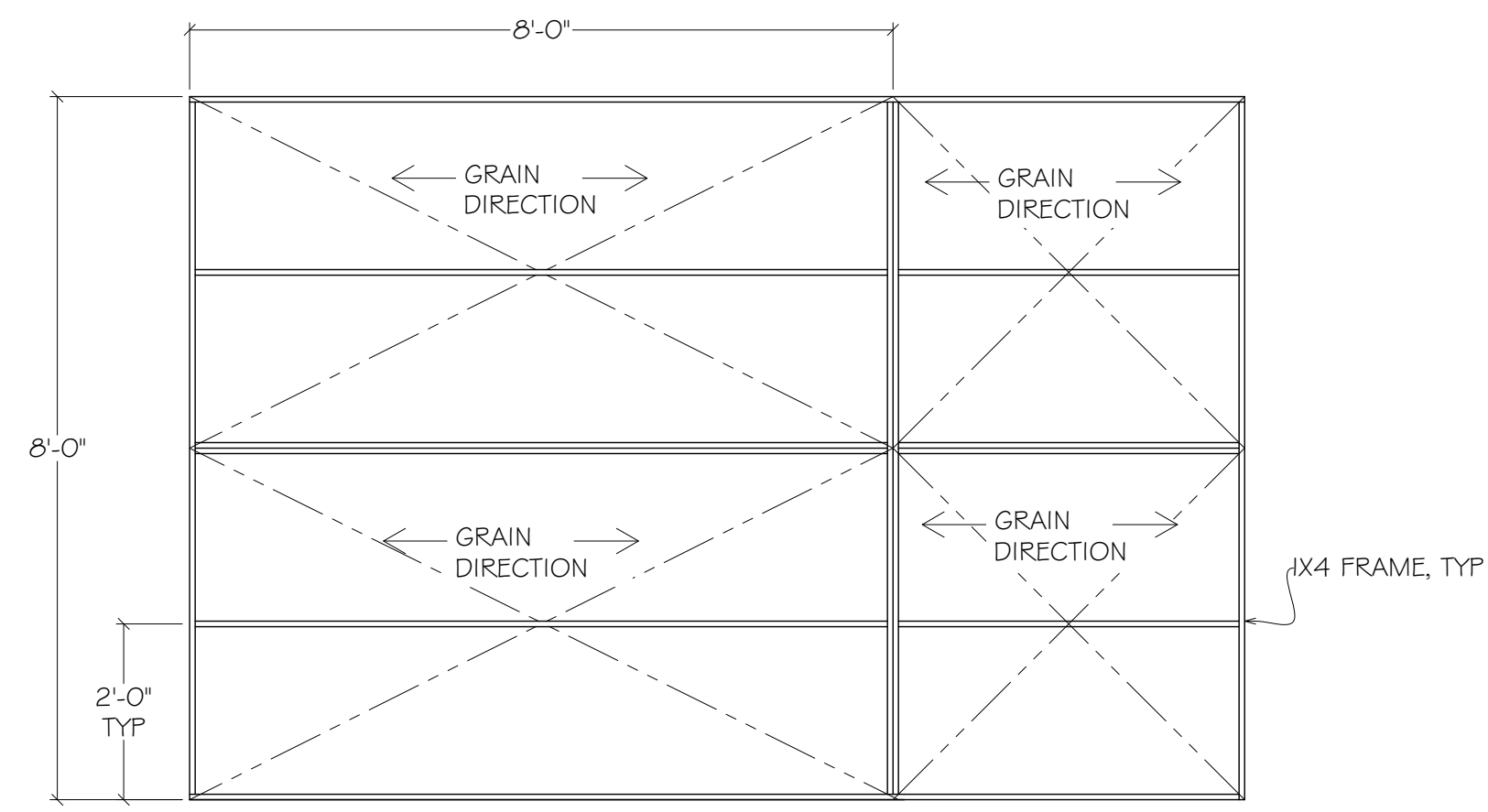


TOP VIEW  
TRAP PLUG

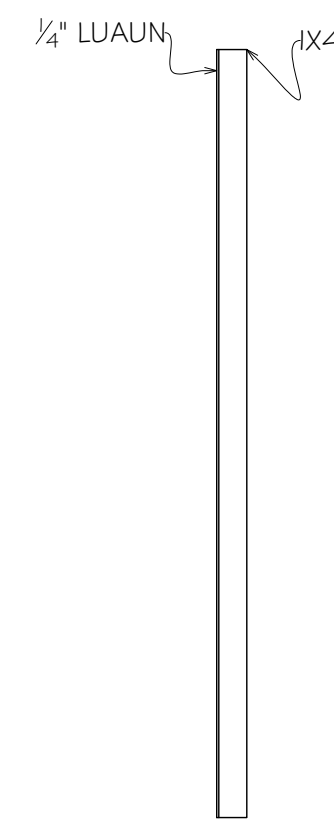


SECTION B-B  
TRAP PLUG

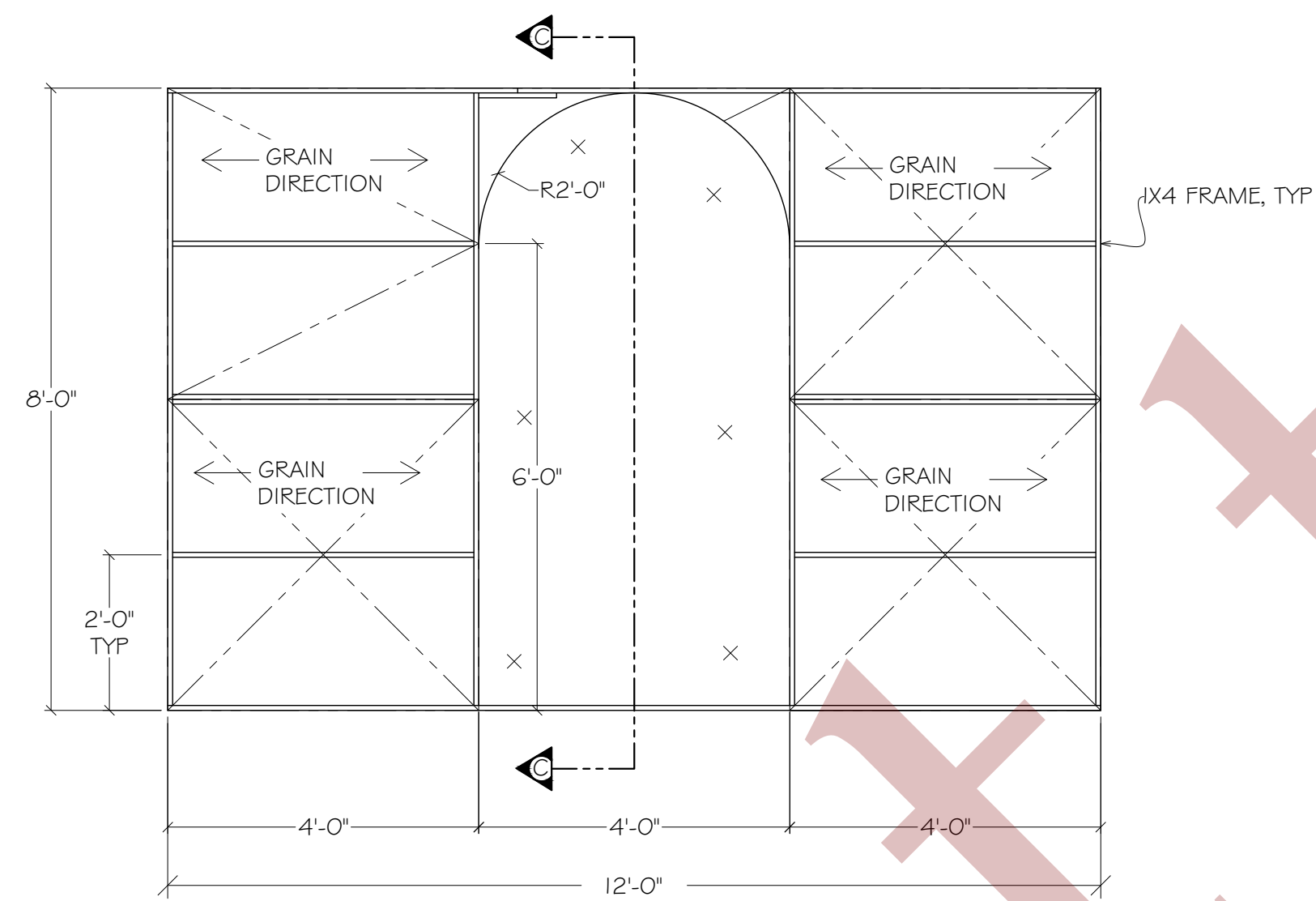
Indiana University Department of Theatre and Dance			
	PIPELINE		
	TRAP WITH LID		
	DESIGNER: ASH COSSEY	DATE: 1/10/24	
	DIRECTOR: SAM WHITE	REV DATE:	
DRAWN BY: RACHEL SHEARON	1" = 1'-0"		



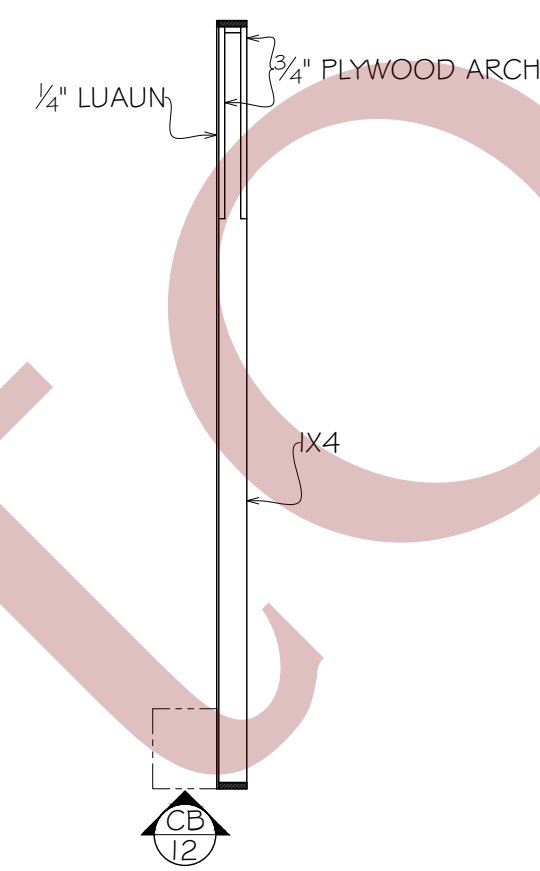
FRONT VIEW  
WALL TOP



SIDE VIEW  
WALL TOP

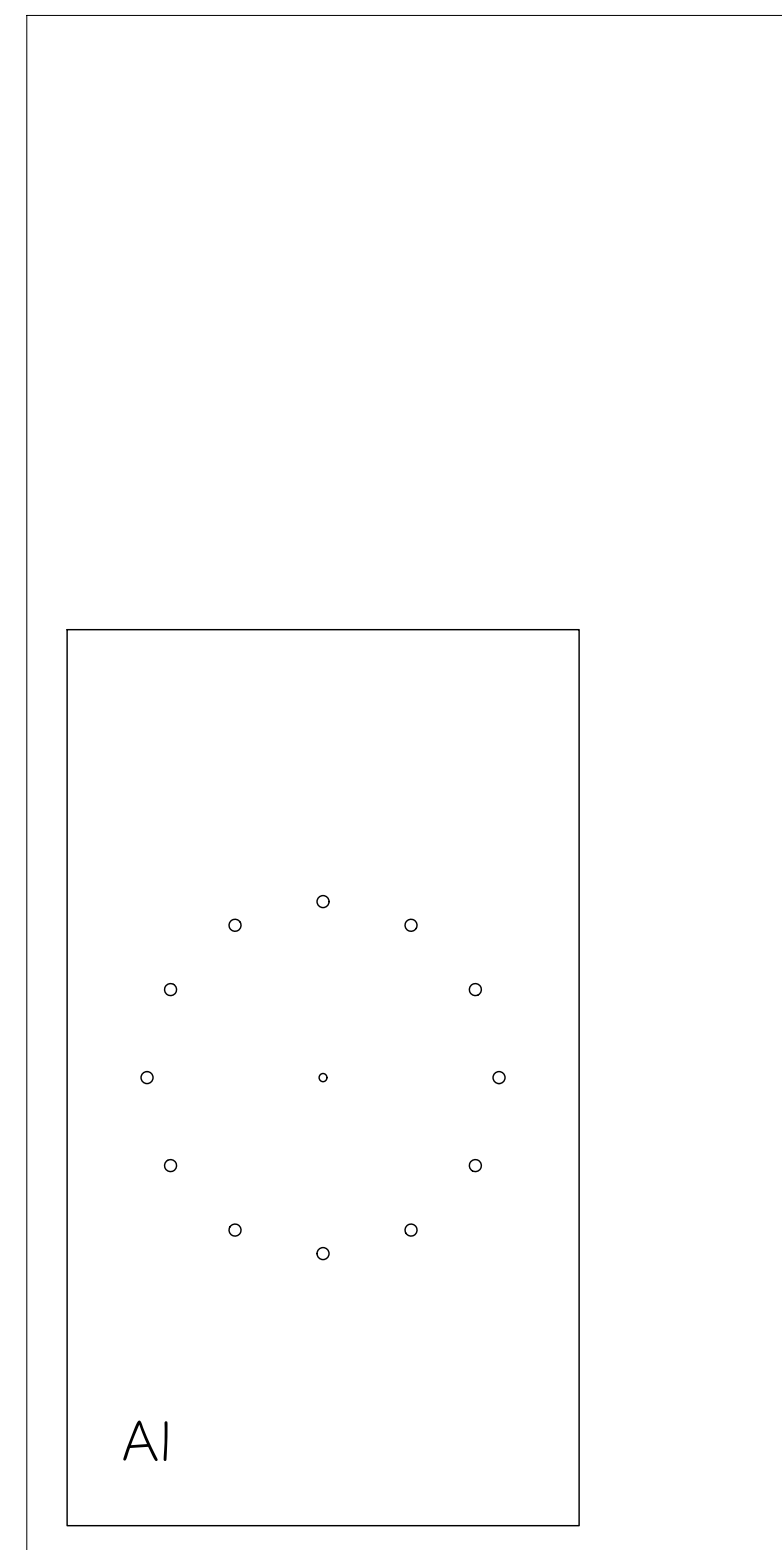


FRONT VIEW  
WALL BOTTOM

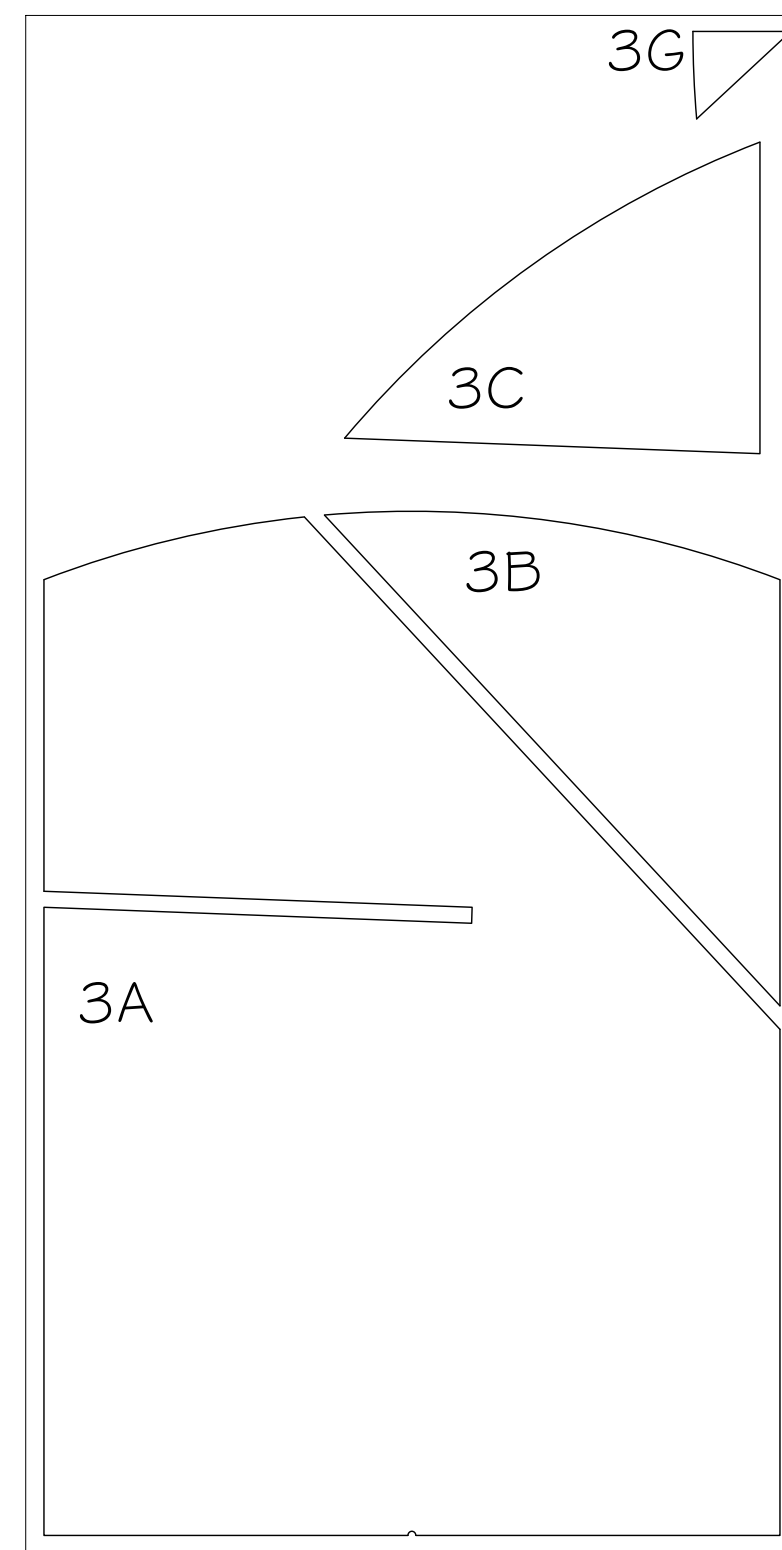


SECTION C-C  
WALL BOTTOM

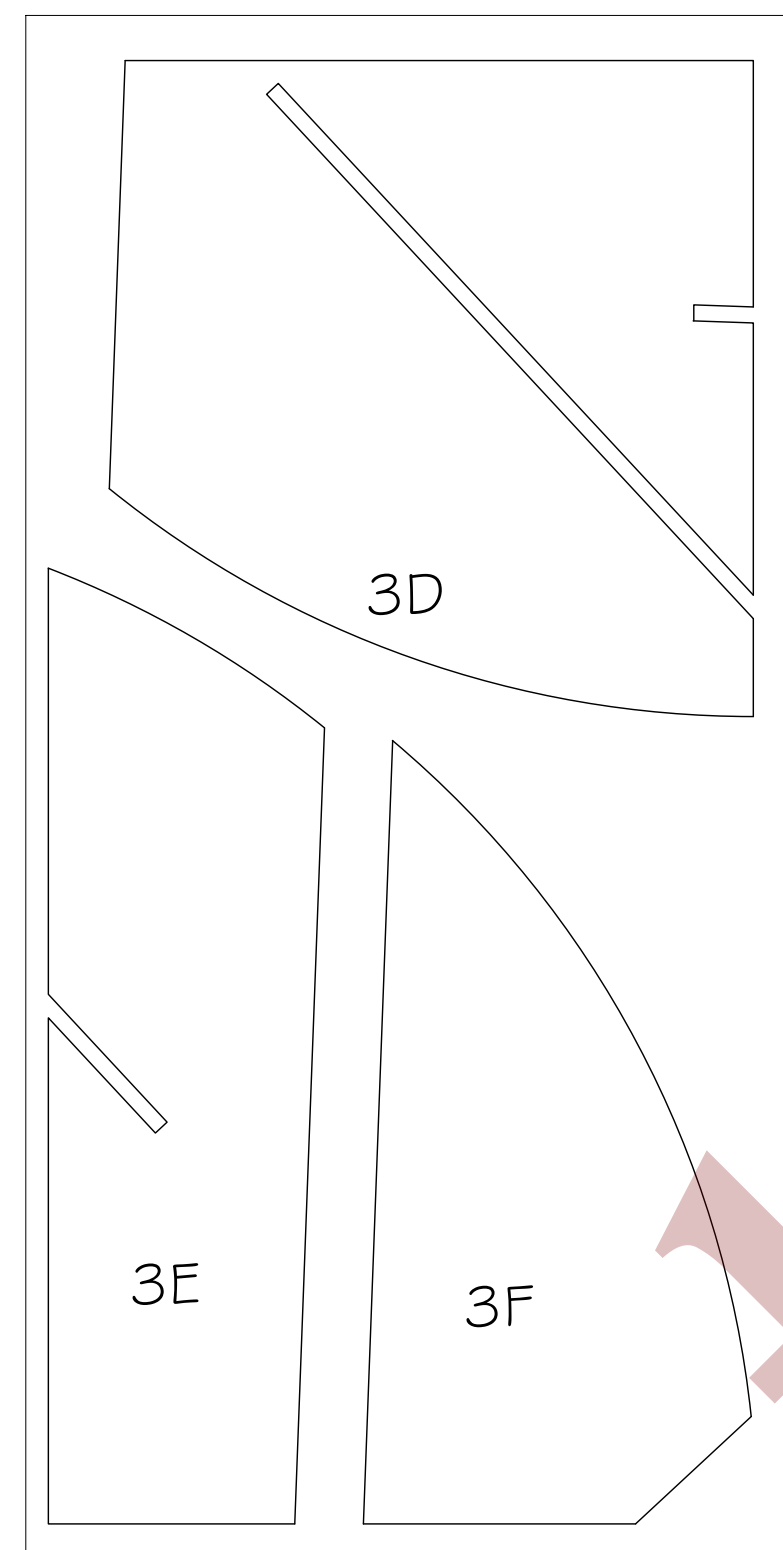




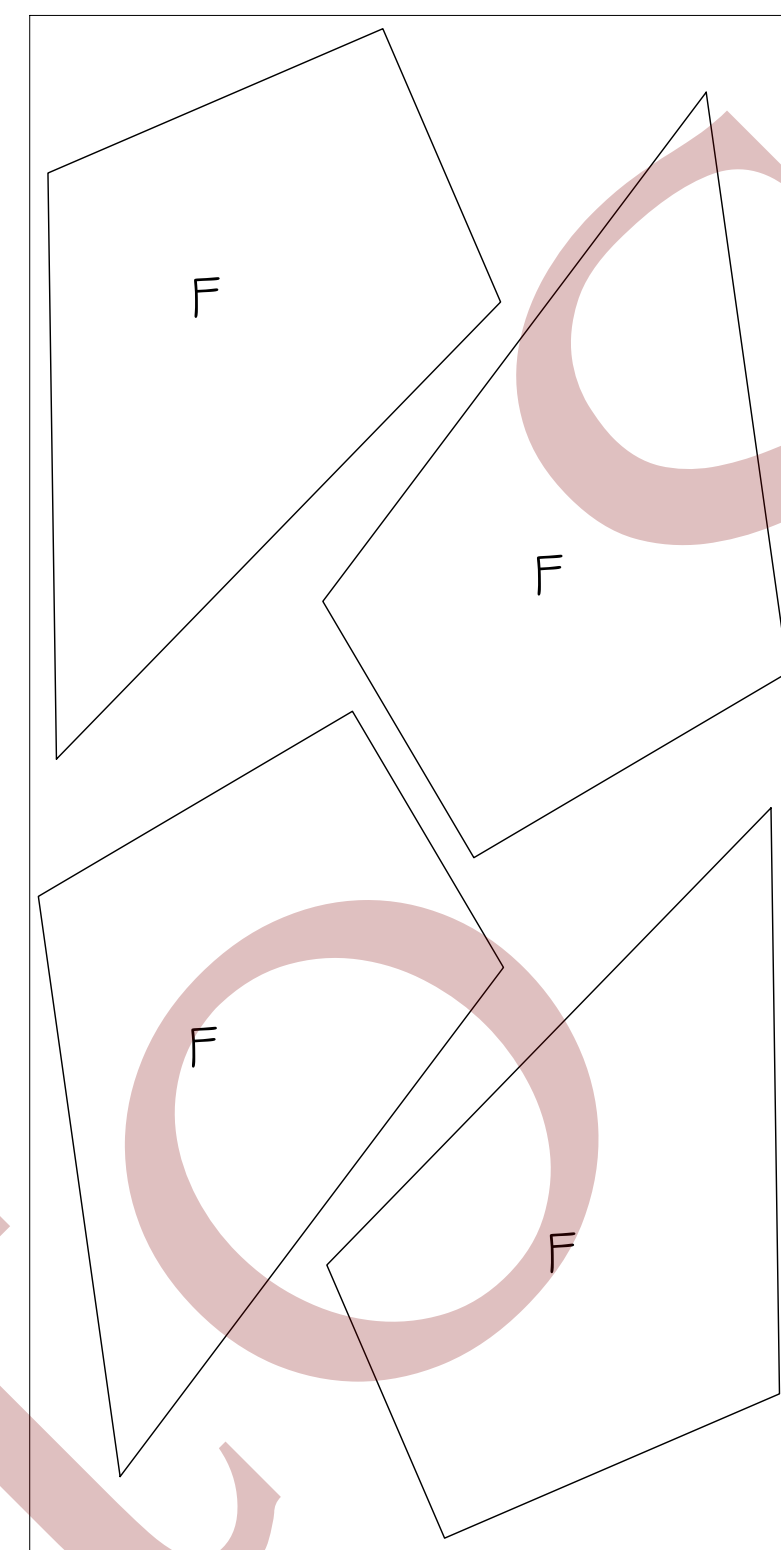
3/4" PLY,  
CUT 2



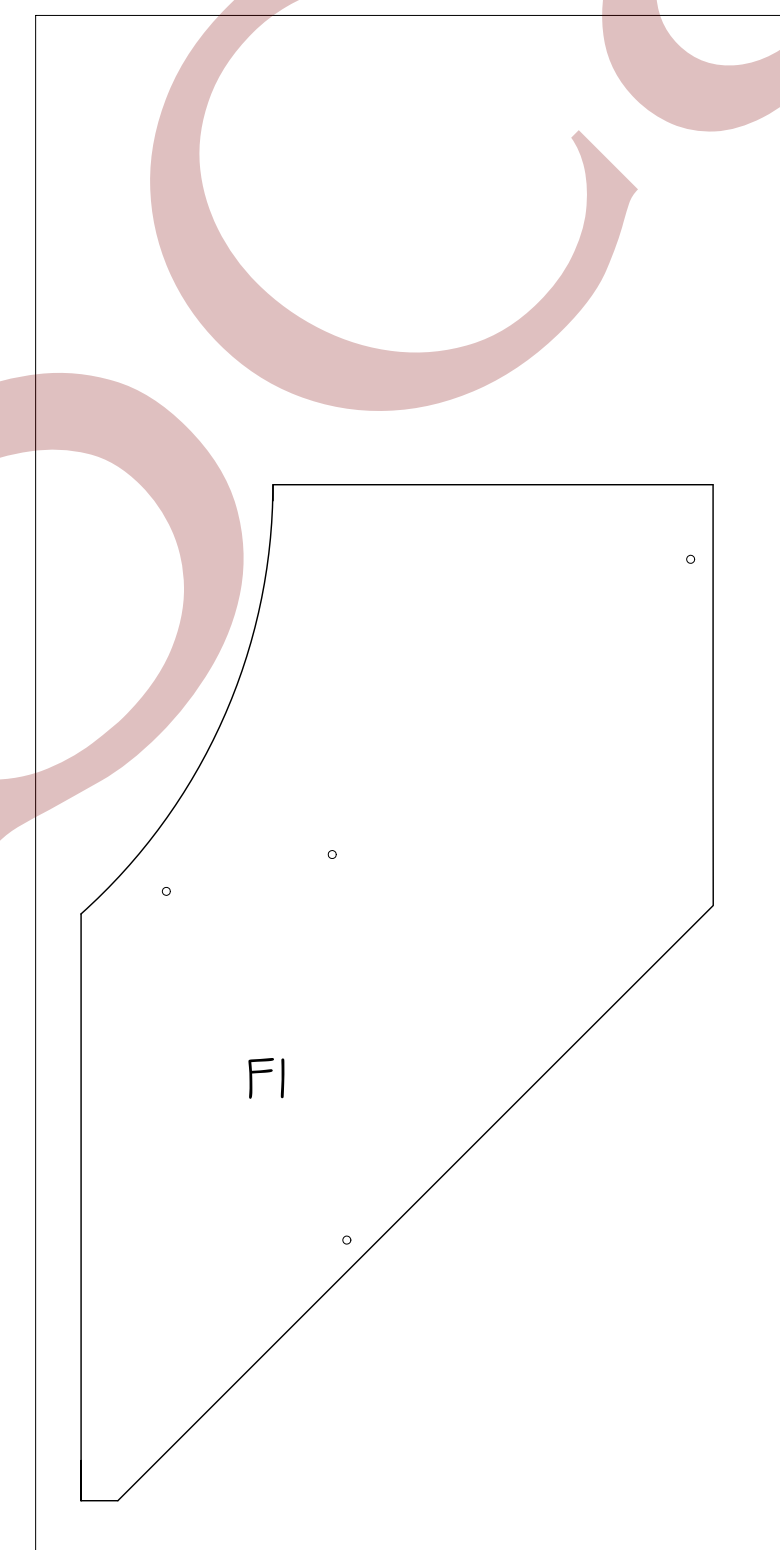
1/2" PLY,  
CUT 2



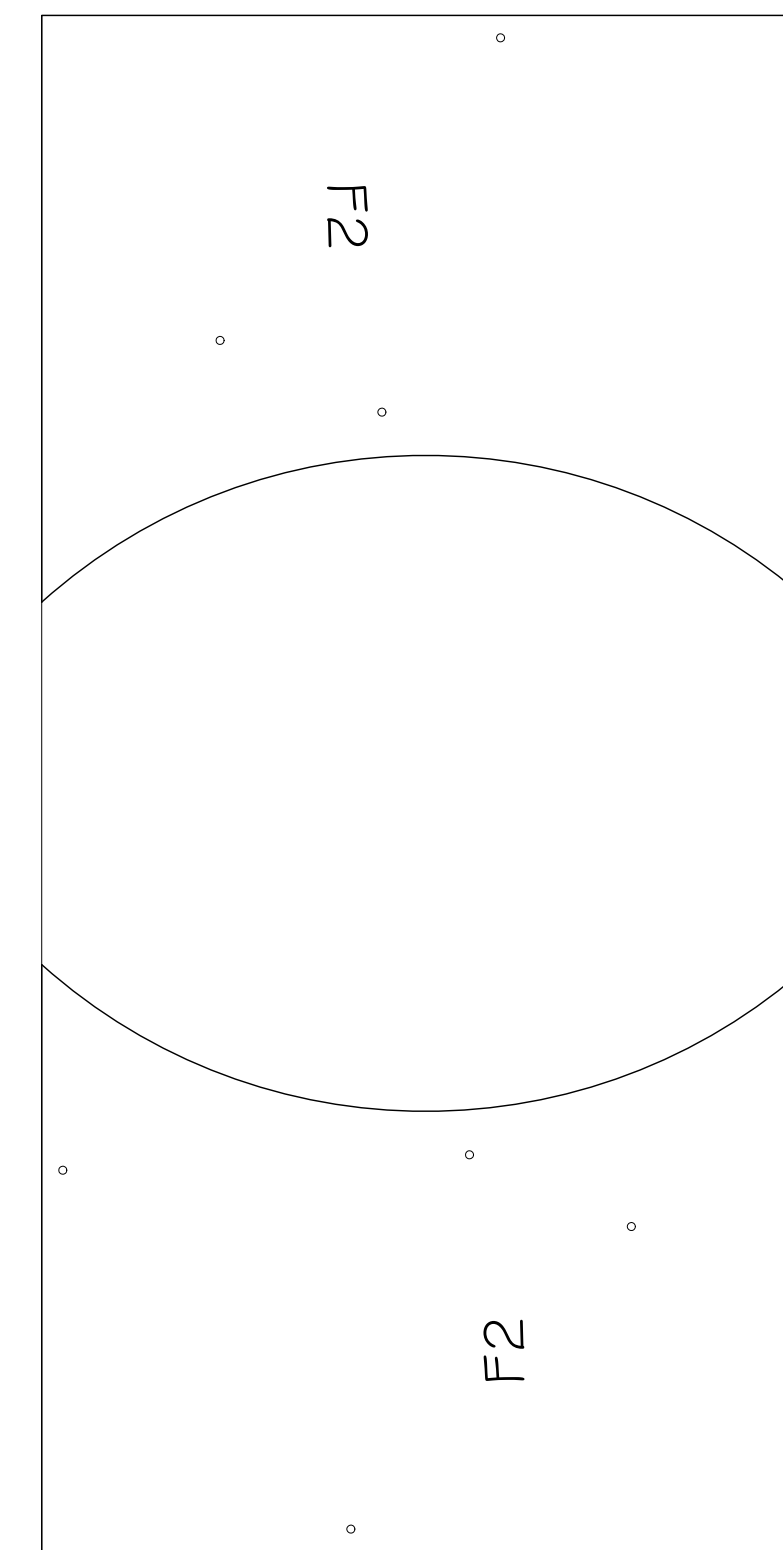
1/2" PLY,  
CUT 2



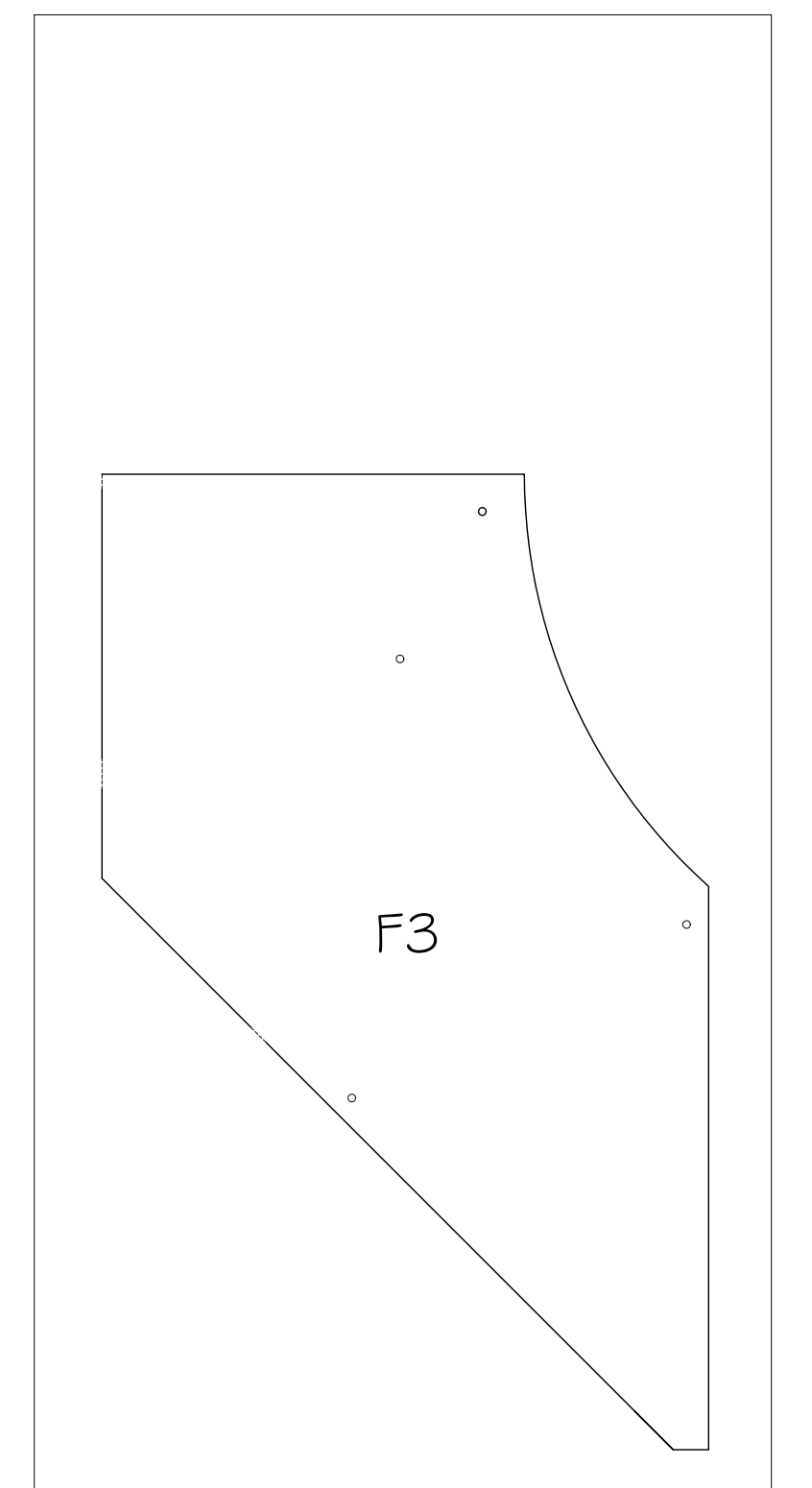
3/4" PLY,  
CUT 2



3/4" PLY,  
CUT 2



3/4" PLY,  
CUT 1



3/4" PLY,  
CUT 2

Not for Scale