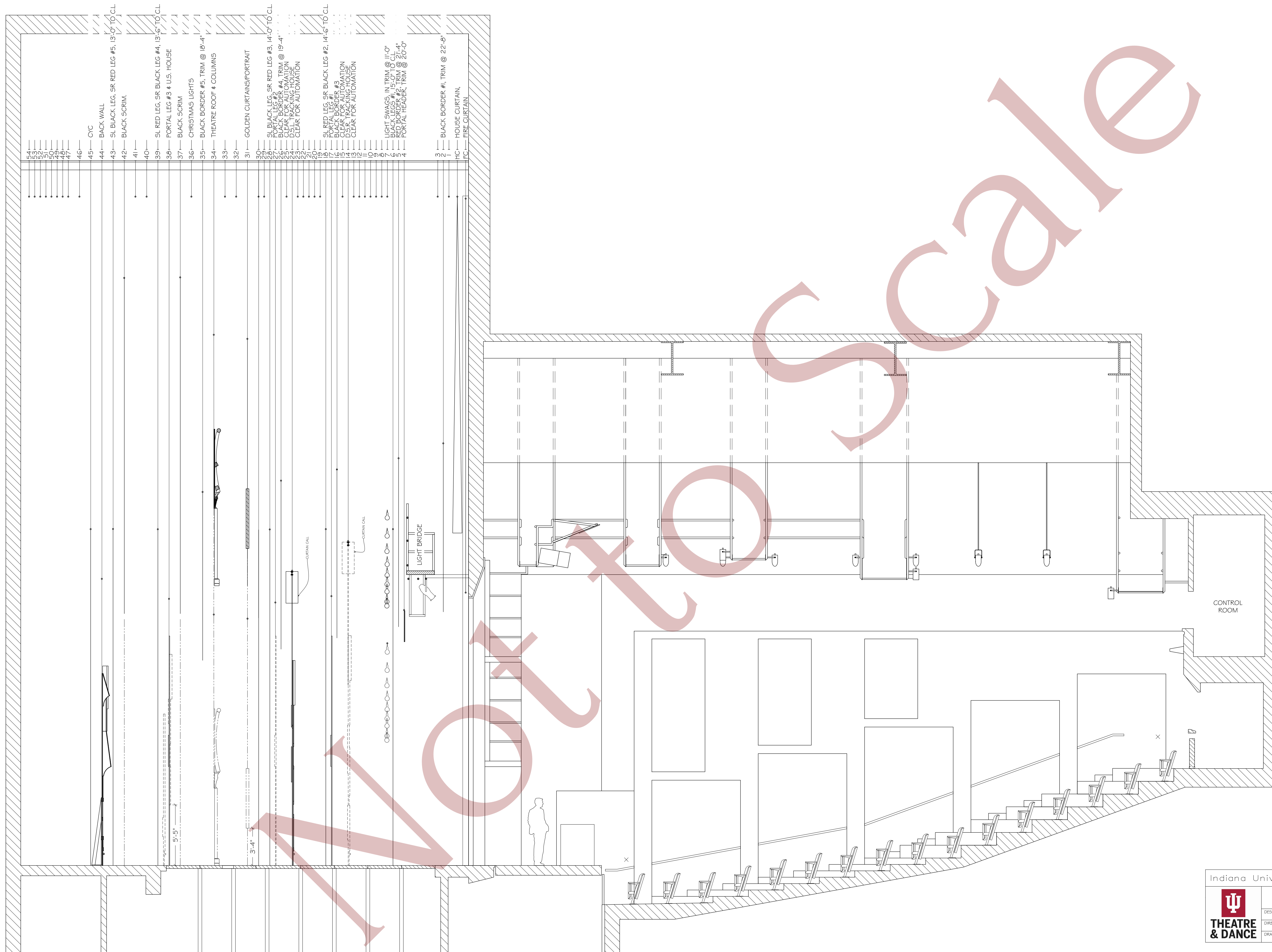
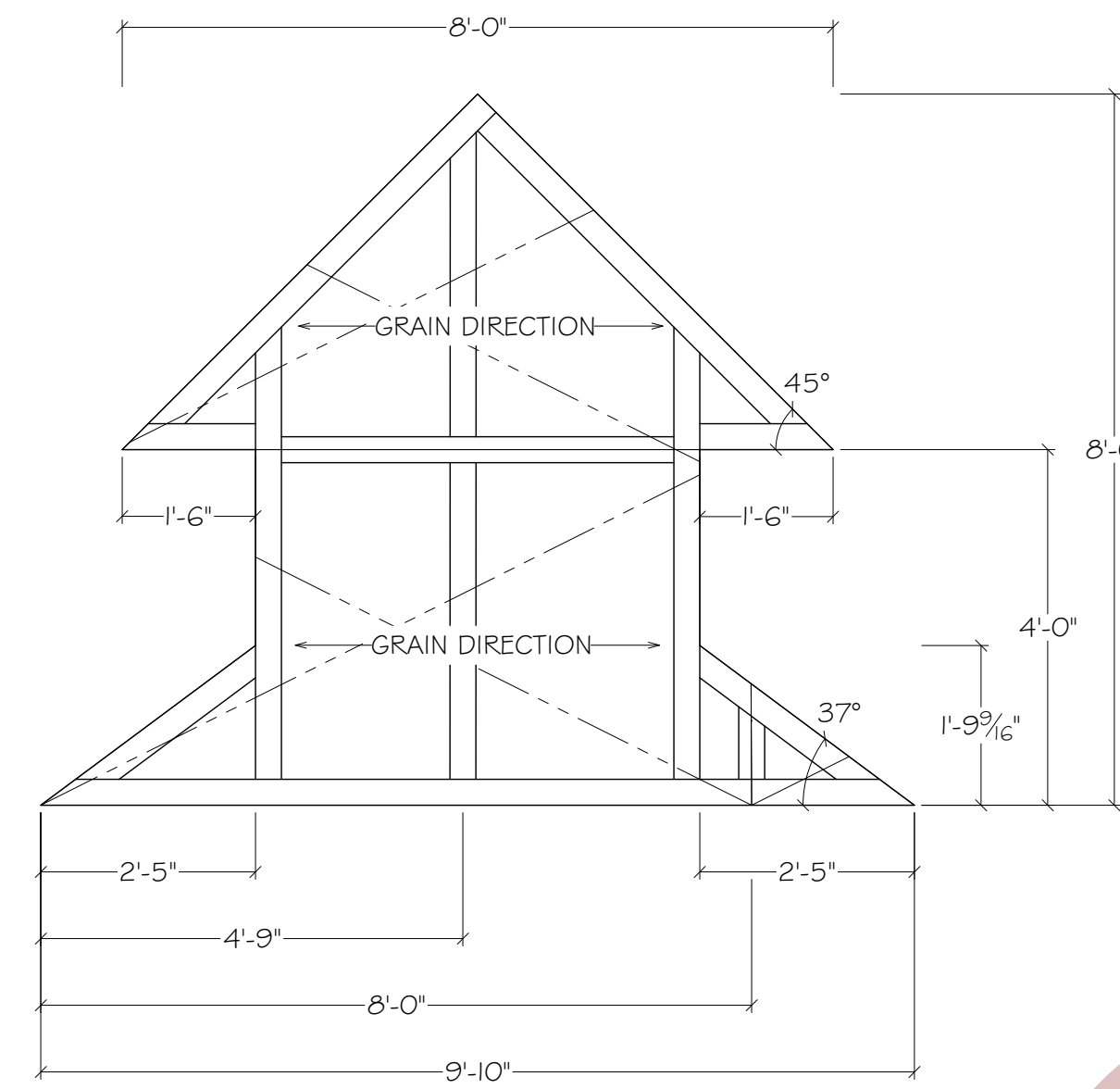
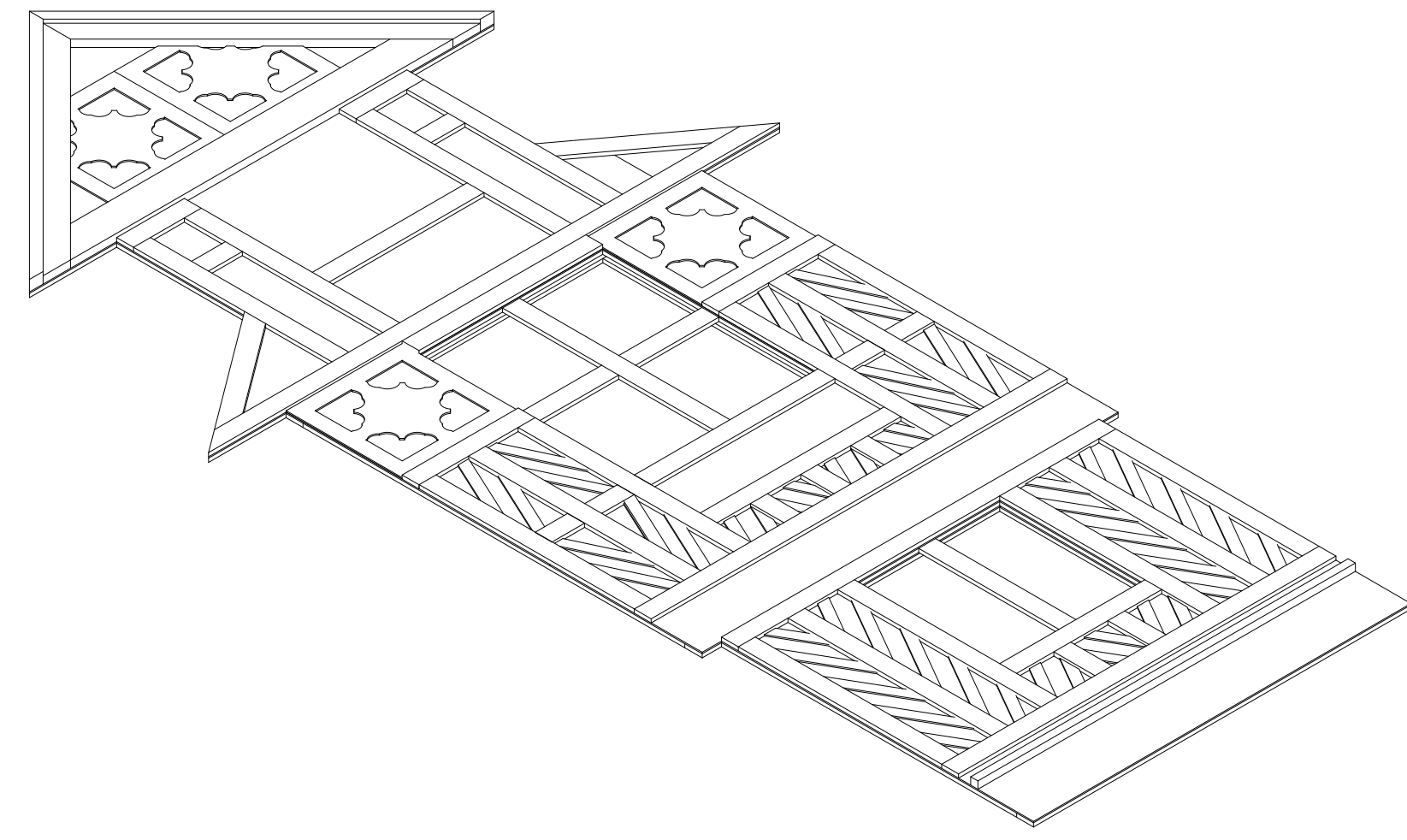


Indiana University Department of Theatre and Dance	
SOMETHING ROTTEN! GROUND PLAN	
DESIGNER: V. NEDVIGA	DATE: 4/6/23
DIRECTOR: D.J. GRAY	REV. DATE:
DRAWN BY: RACHEL SHEARON	1/4" = 1'-0"



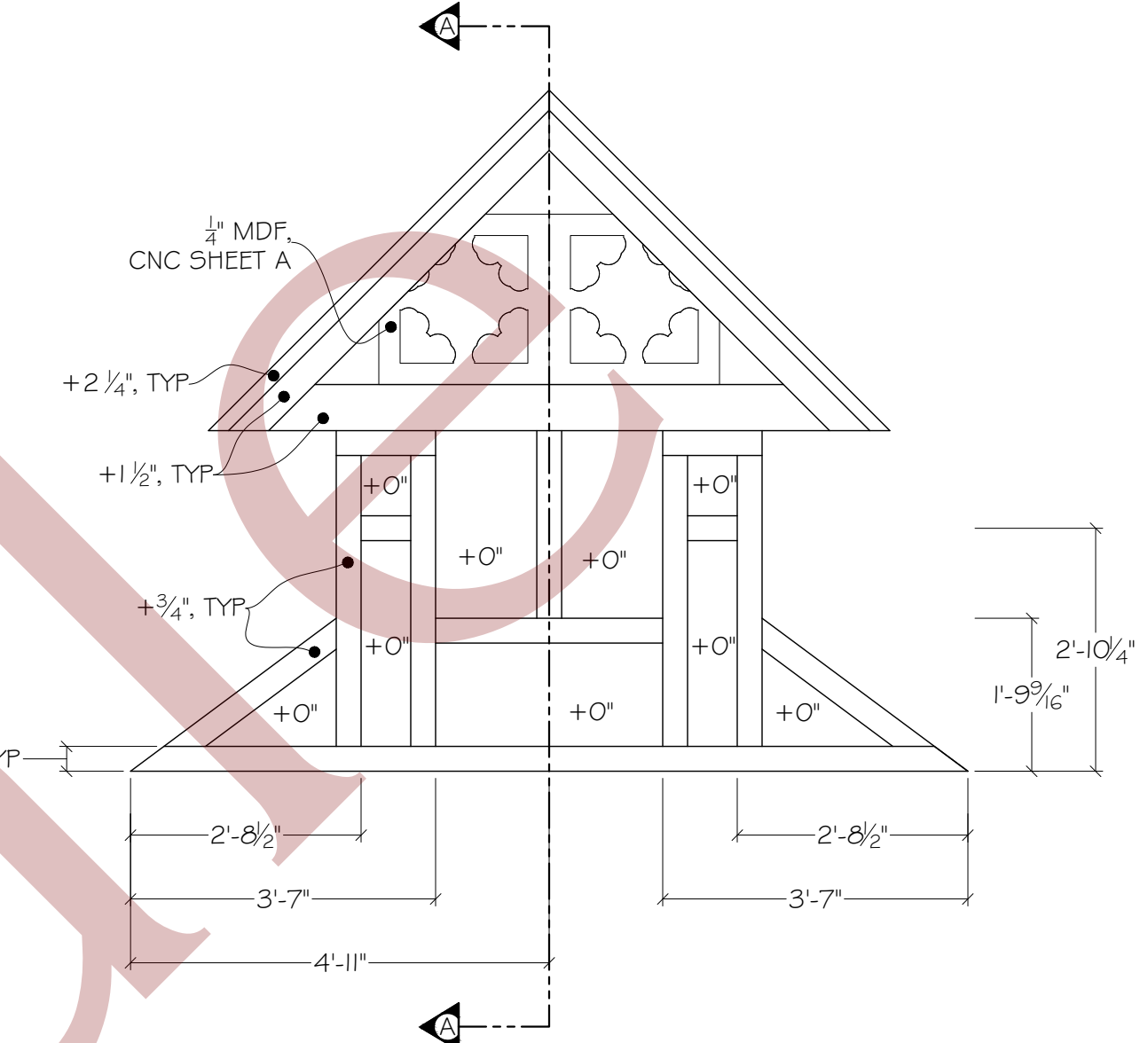
- 43- SL BLACK LEG, SR RED LEG #5, 13'-0" TO C.L.
- 42- BLACK SCRIM.
- 41-
- 40-
- 39- SL RED LEG, SR BLACK LEG #4, 13'-6" TO C.L.
- 38- PORTAL LEG #3 & U.S. HOUSE
- 37- BLACK SCRIM
- 36- CHRISTMAS LIGHTS
- 35- BLACK BORDER #5, TRIM @ 18'-4"
- 34- THEATRE ROOF & COLUMNS
- 33-
- 32-
- 31- GOLDEN CURTAINS/PORTRAIT
- 30-
- 29- SL BLACK LEG, SR RED LEG #3, 14'-0" TO C.L.
- 28- BLACK BORDER #4, TRIM @ 19'-4"
- 27- PORTAL LEG #1
- 26- CLEAR FOR AUTOMATION
- 25- CLEAR FOR AUTOMATION
- 24- CLEAR FOR AUTOMATION
- 23- CLEAR FOR AUTOMATION
- 22-
- 21-
- 20-
- 19- SL RED LEG, SR BLACK LEG #2, 14'-6" TO C.L.
- 18- BLACK BORDER #3
- 17- PORTAL LEG #2
- 16- BLACK BORDER #3
- 15- CLEAR FOR AUTOMATION
- 14- 0.5% TRACKING HOUSE
- 13- CLEAR FOR AUTOMATION
- 12-
- 11-
- 10-
- 9-
- 8-
- 7-
- 6-
- 5-
- 4-
- 3-
- 2-
- 1-
- HC- HOUSE CURTAIN.
- FC- FIRE CURTAIN.

Indiana University Department of Theatre and Dance			
	SOMETHING ROTTEN!		
	CENTERLINE SECTION		
	DESIGNER: V. NEDVIGA	DATE: 4/6/23	2
	DIRECTOR: D.J. GRAY	REV. DATE:	
DRAWN BY: RACHEL SHEARON	1/4" = 1'-0"		



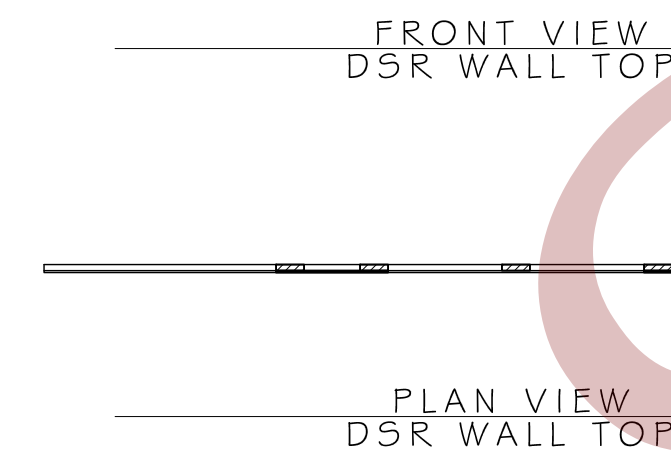
FRONT VIEW
DSR WALL TOP

SIDE VIEW
DSR WALL TOP

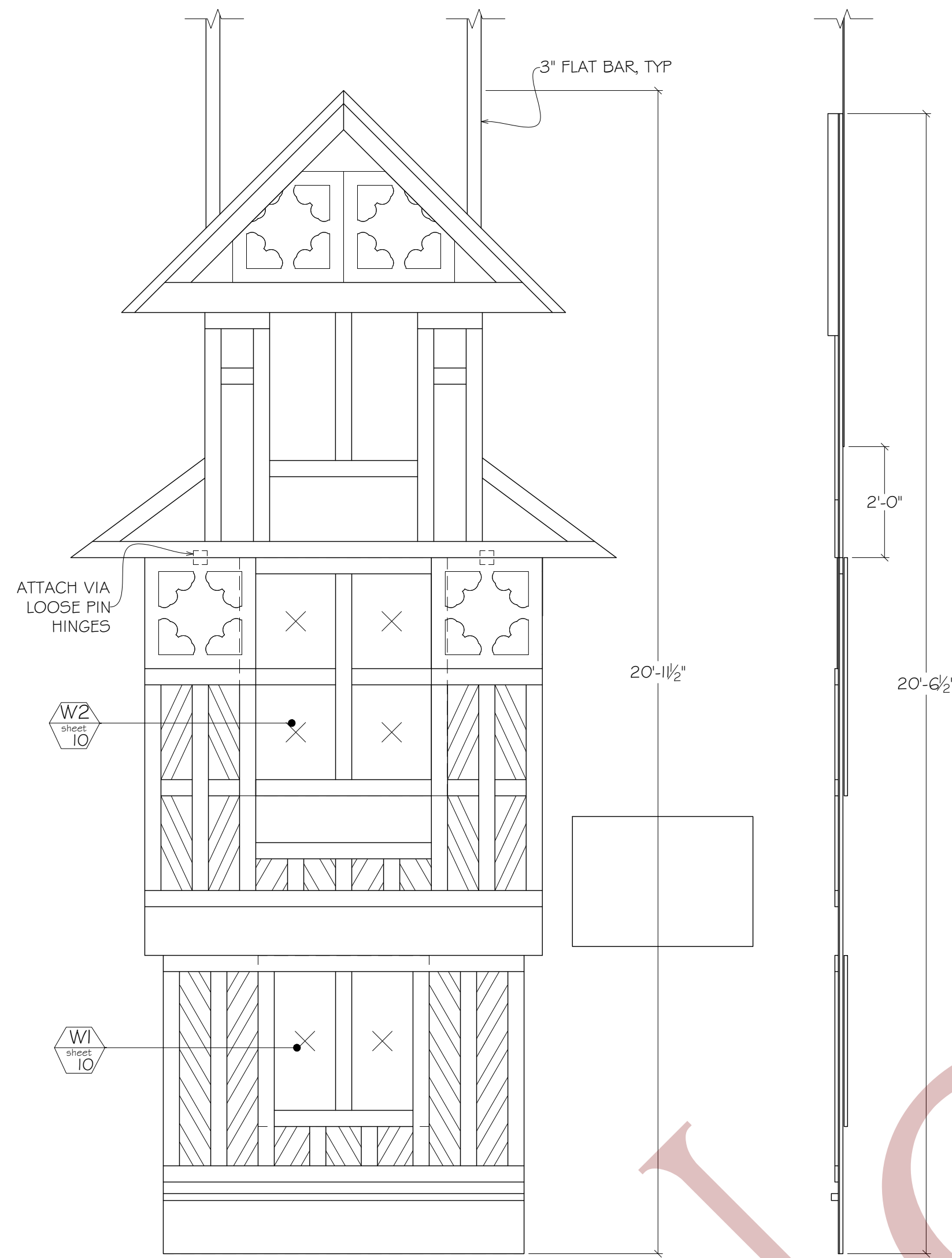


FRONT VIEW
DSR WALL TOP TRIM

SECTION A-A
DSR WALL TOP TRIM

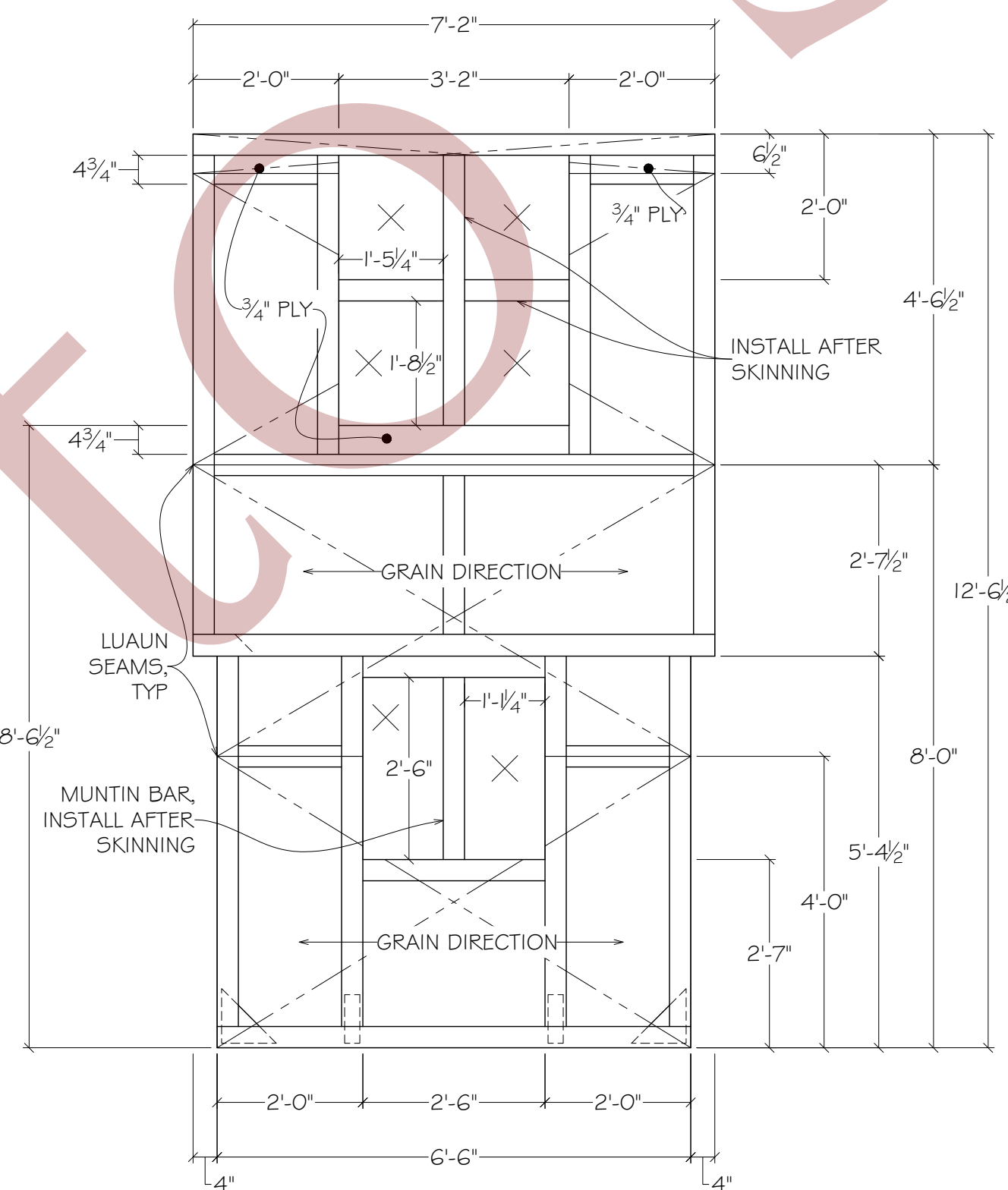


PLAN VIEW
DSR WALL TOP



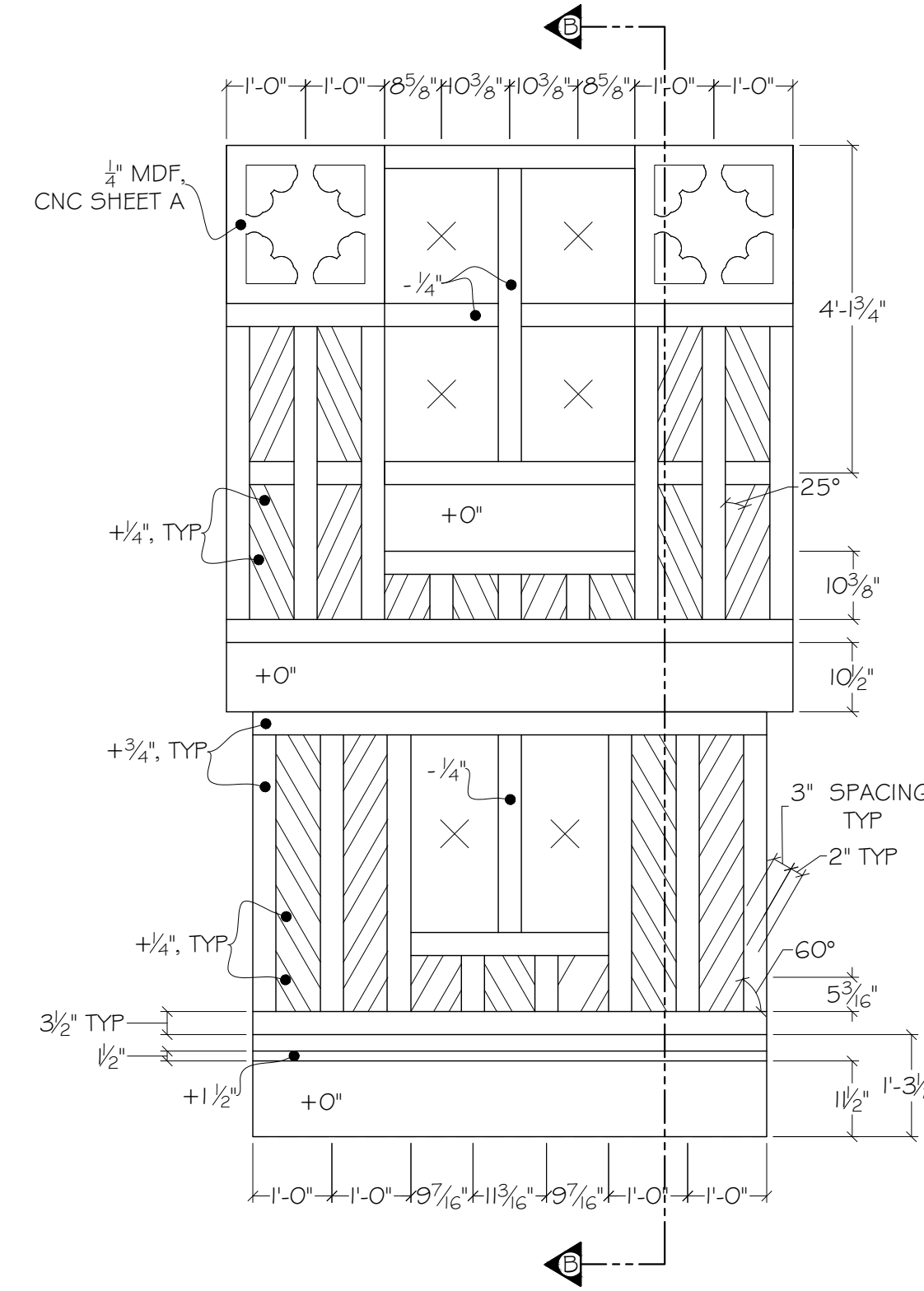
FRONT VIEW
DSR WALL

SIDE VIEW
DSR WALL



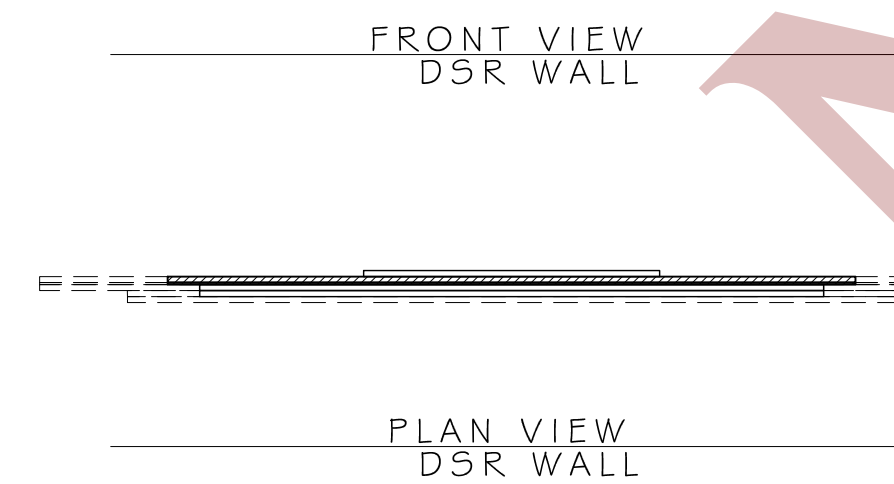
FRONT VIEW
DSR WALL BOTTOM

SIDE VIEW
DSR WALL BOTTOM

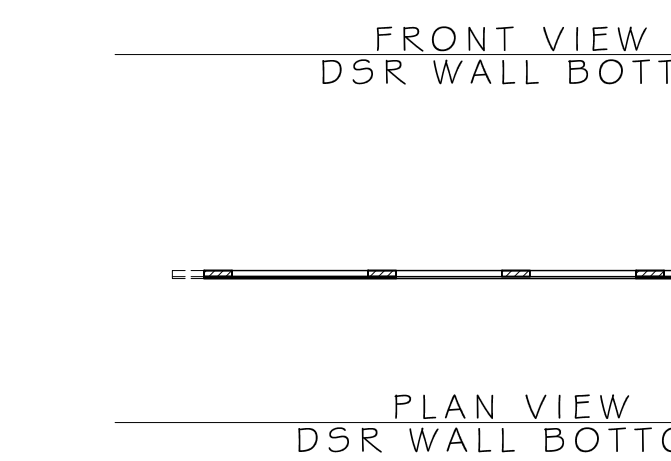


FRONT VIEW
DSR WALL BOTTOM TRIM

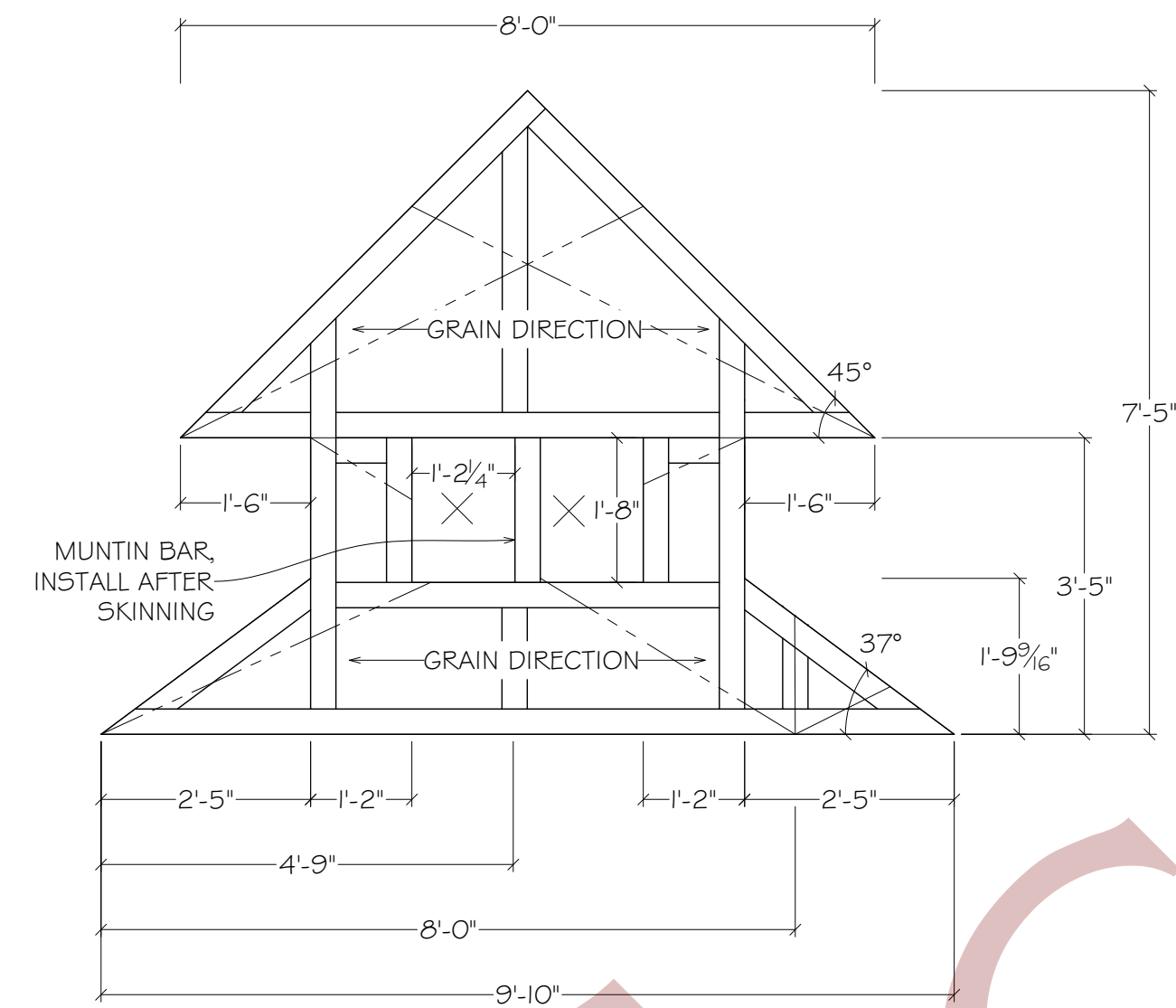
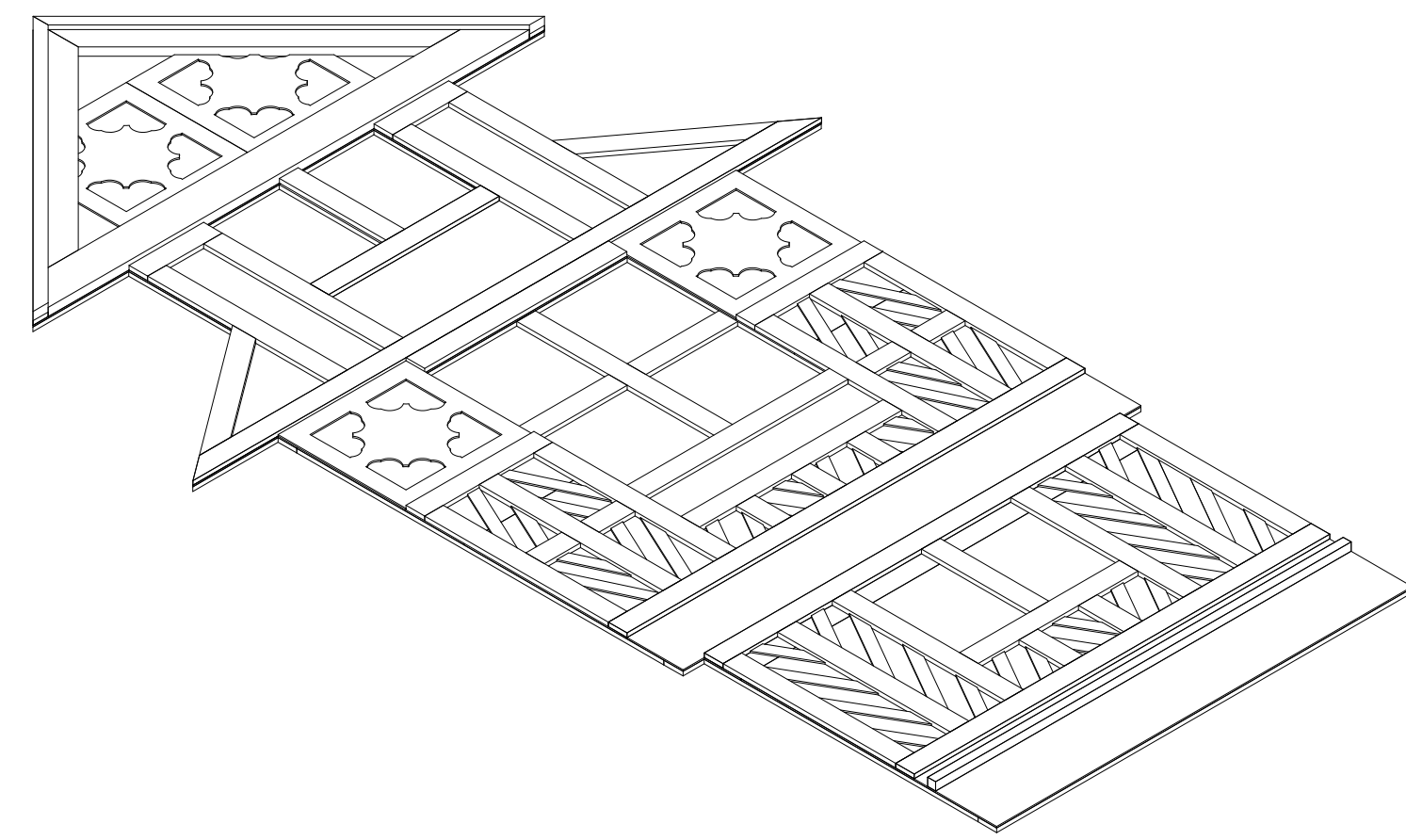
SECTION B-B
DSR WALL BOTTOM TRIM



PLAN VIEW
DSR WALL

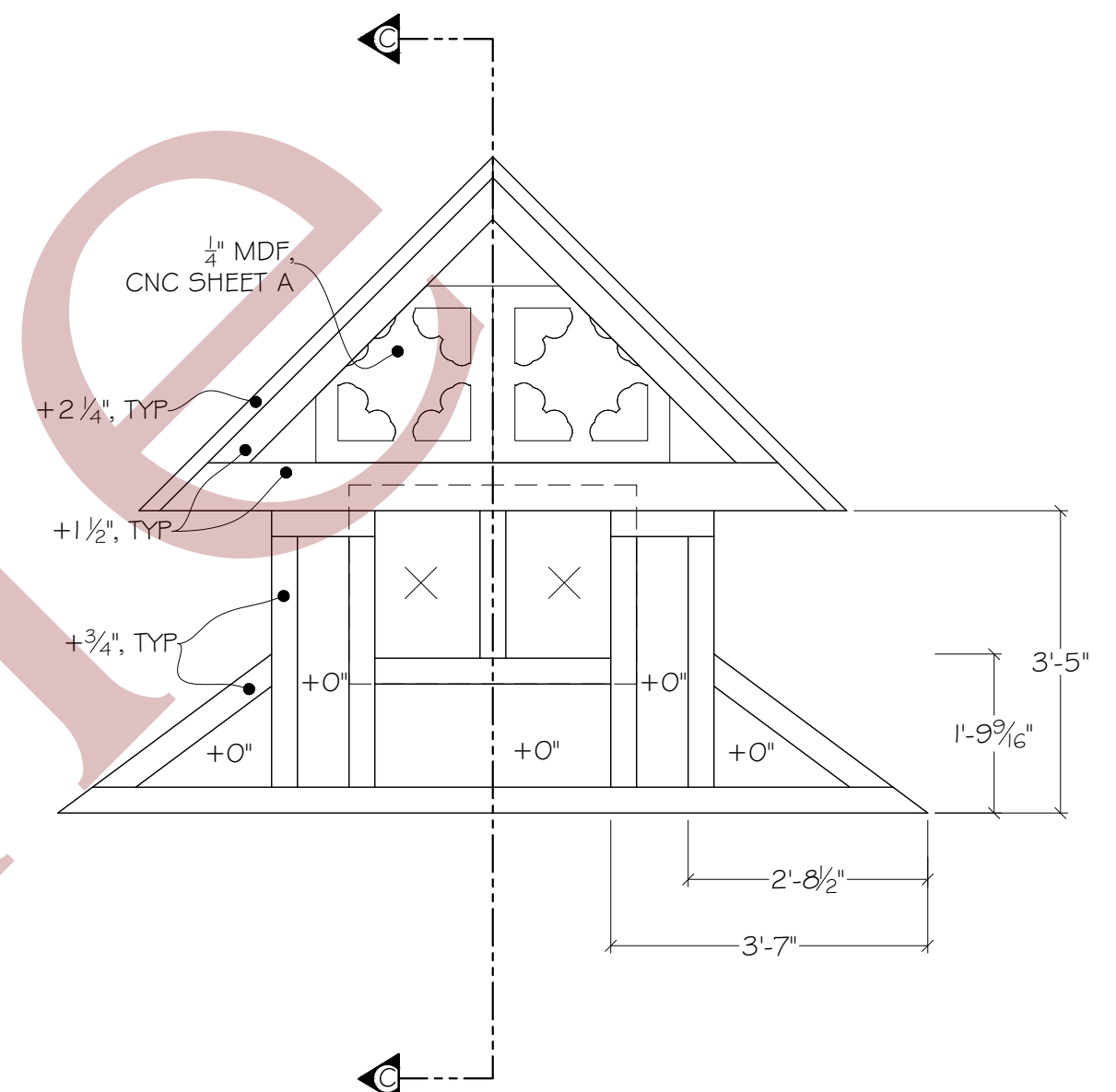


PLAN VIEW
DSR WALL BOTTOM



FRONT VIEW
DSL WALL TOP

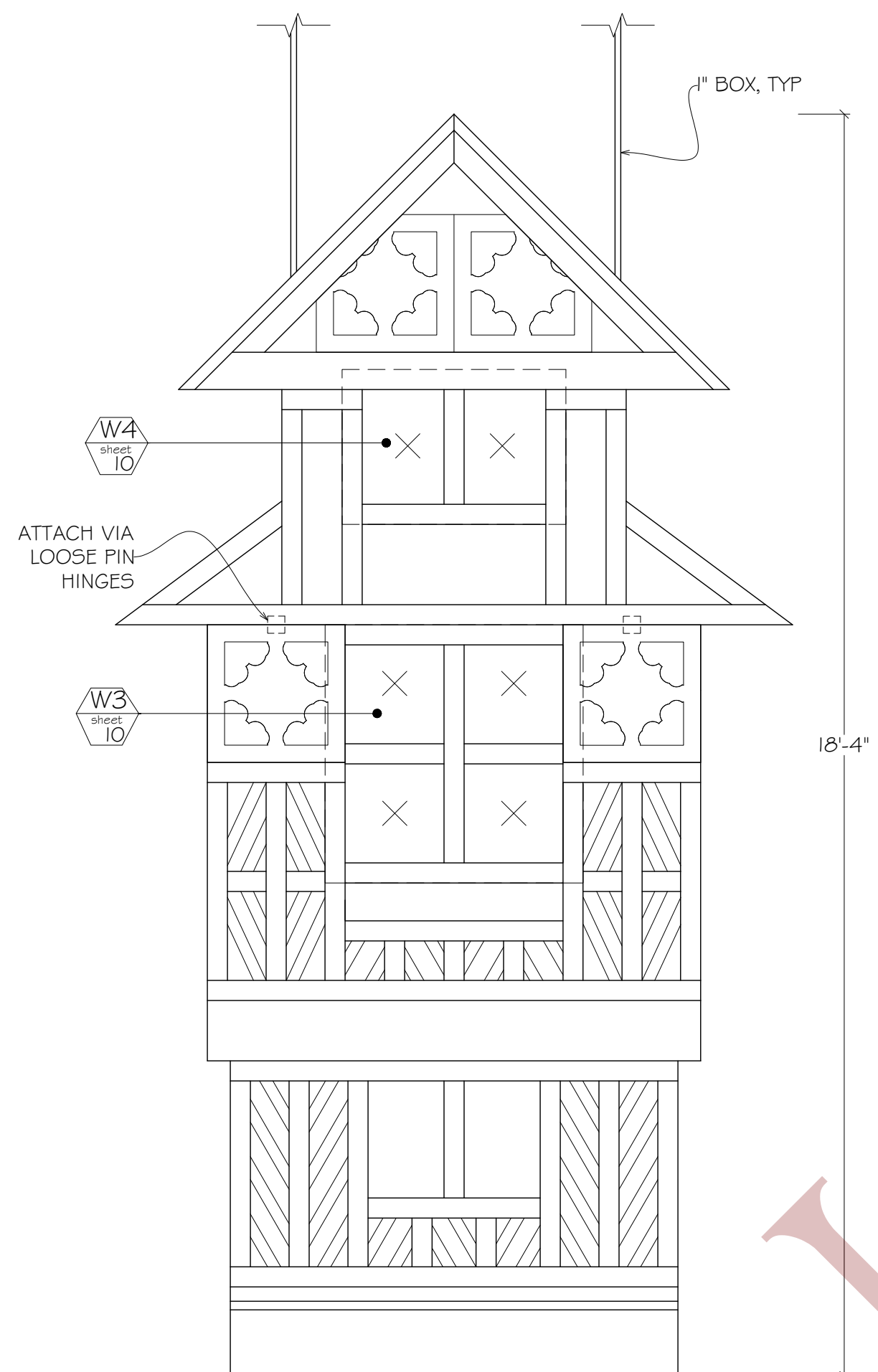
SIDE VIEW
DSL WALL TOP



PLAN VIEW
DSL WALL TOP TRIM

SECTION C-C
DSL WALL TOP TRIM

PLAN VIEW
DSL WALL TOP

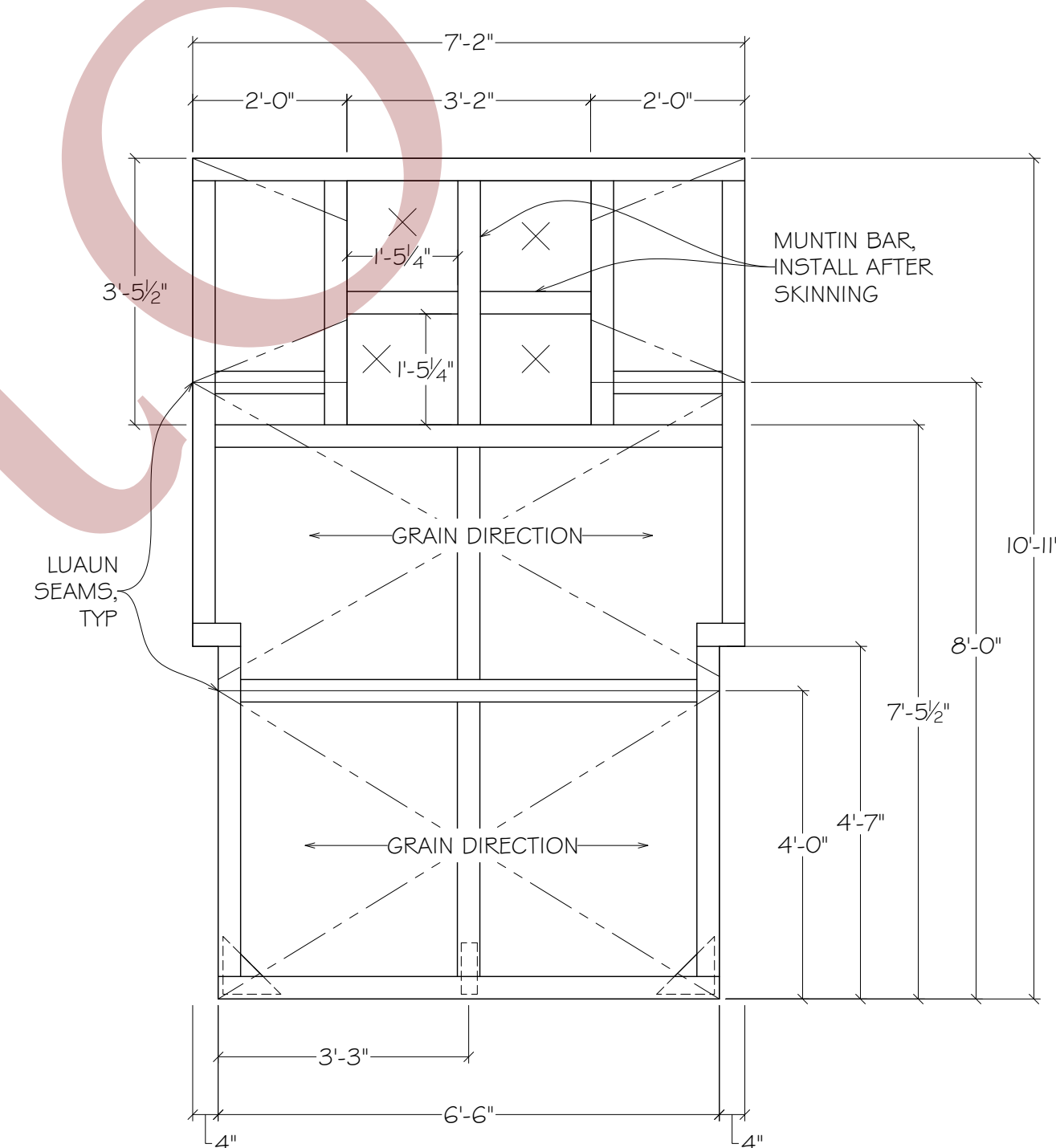


FRONT VIEW
DSL WALL

SIDE VIEW
DSL WALL



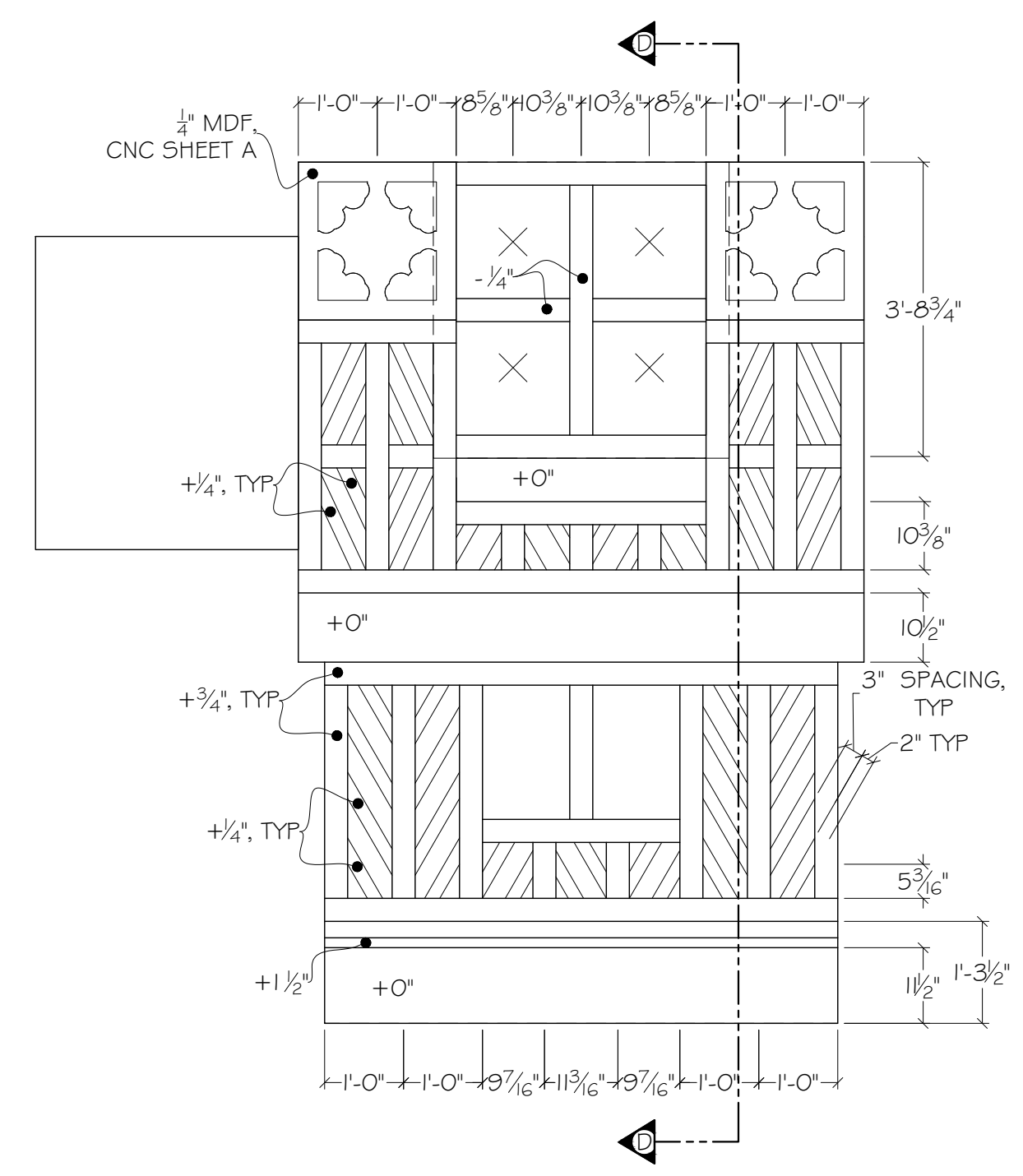
PLAN VIEW
DSL WALL



FRONT VIEW
WALL B1

SIDE VIEW
DSR WALL BOTTOM

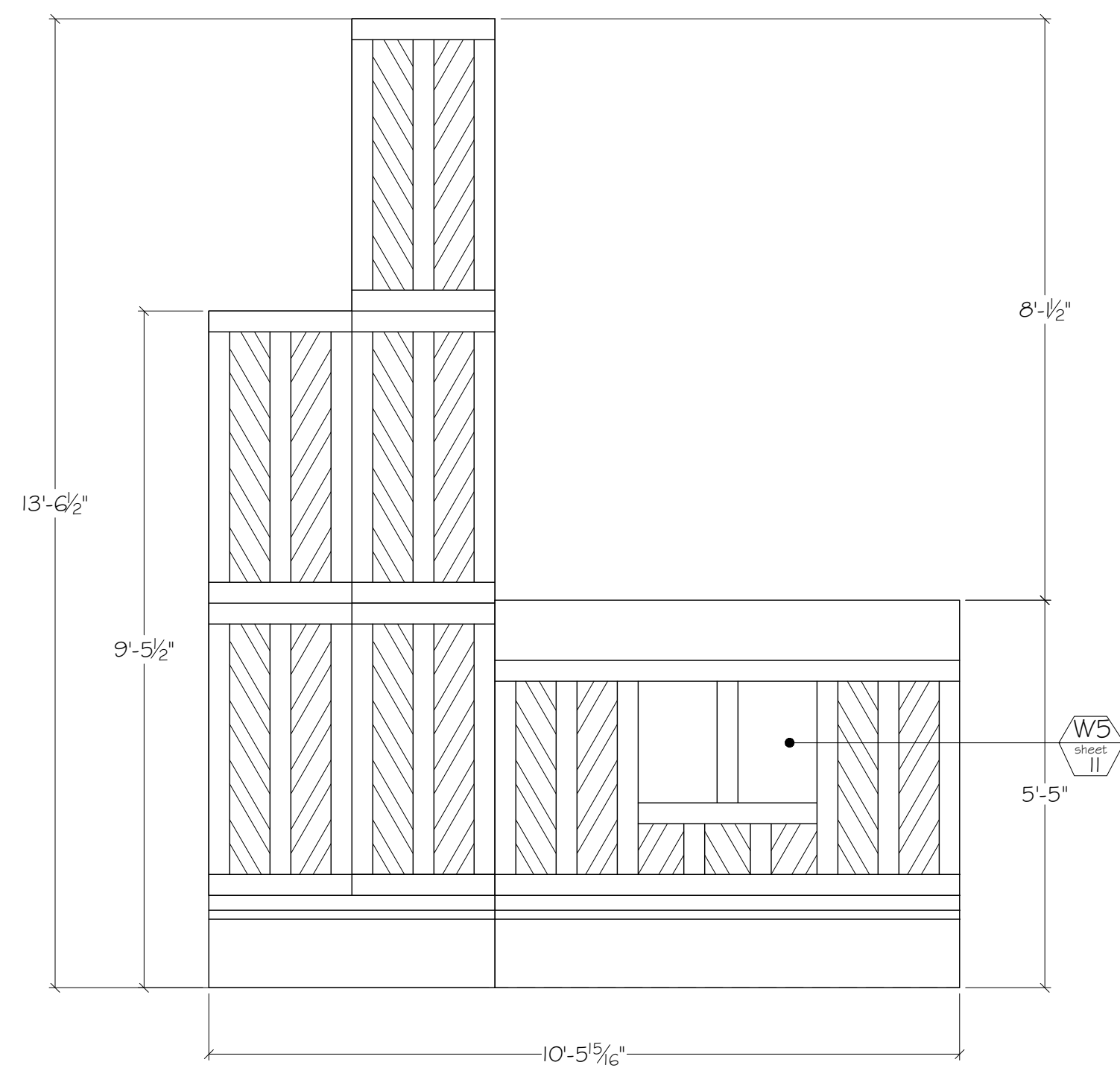
PLAN VIEW
WALL B1



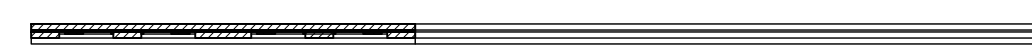
FRONT VIEW
DSL BOTTOM TRIM

SECTION D-D
DSR WALL BOTTOM TRIM

Indiana University Department of Theatre and Dance			
		SOMETHING ROTTEN!	
		DSL TRACKING WALL	
DESIGNER: V. NEDVIGA	DATE: 4/6/23	4	
DIRECTOR: D.J. GRAY	REV. DATE:		
DRAWN BY: RACHEL SHEARON	1/2" = 1'-0"		



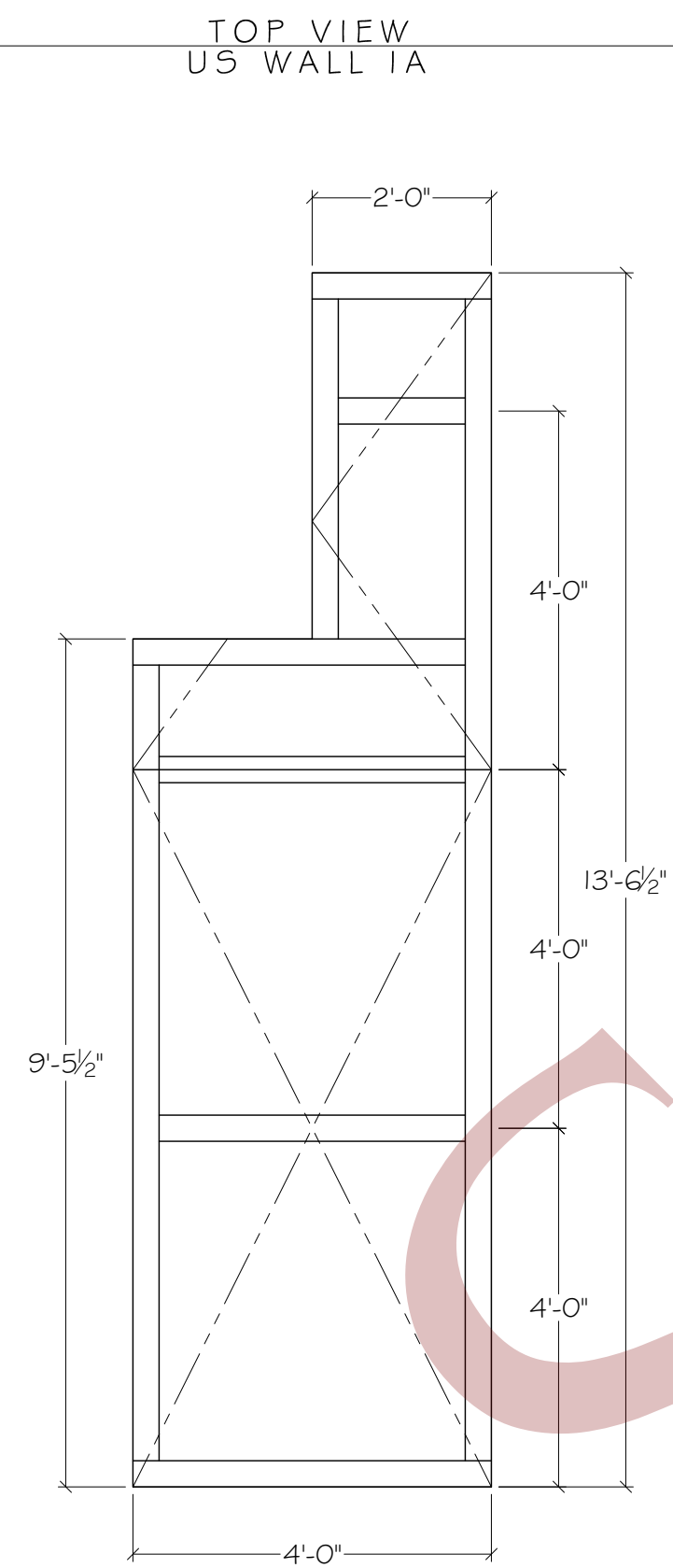
FRONT VIEW
US WALL I



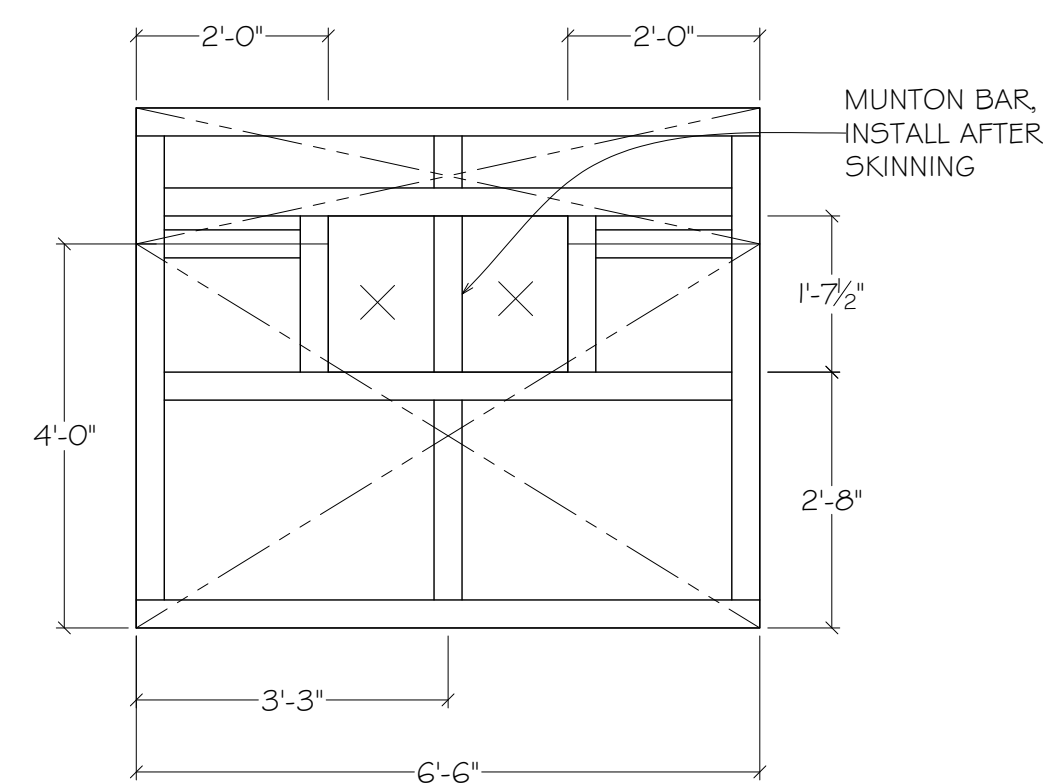
PLAN VIEW
US WALL I



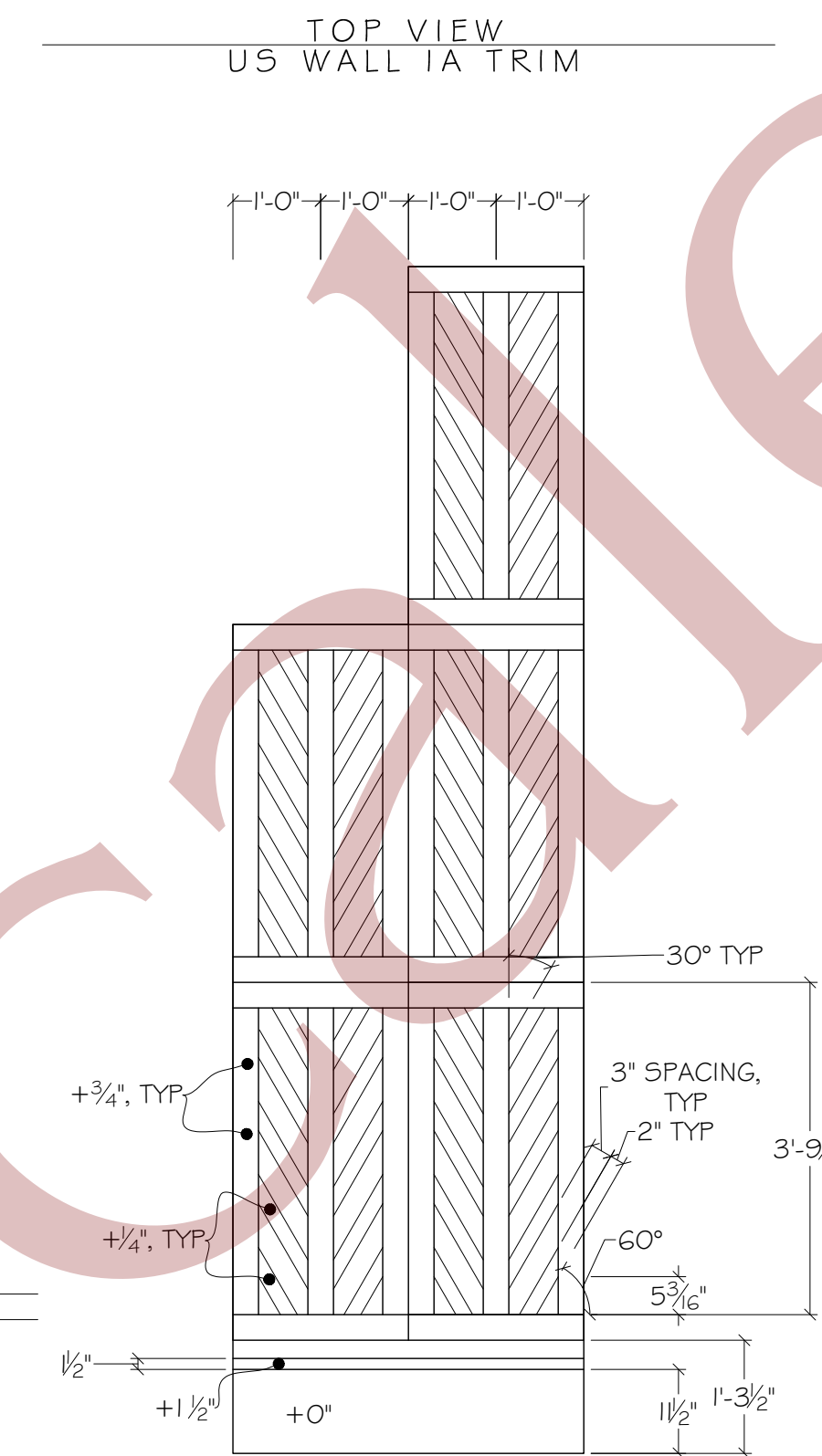
SIDE VIEW
US WALL I



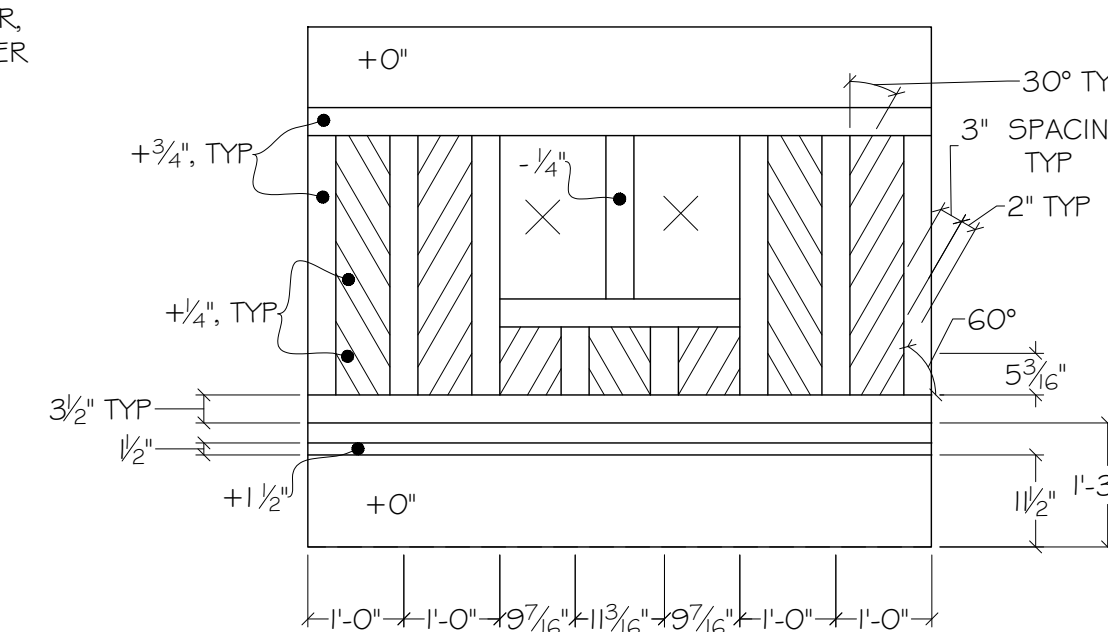
TOP VIEW
US WALL IA



TOP VIEW
US WALL IB



FRONT VIEW
U.S. WALL IA TRIM



FRONT VIEW
US WALL IB TRIM

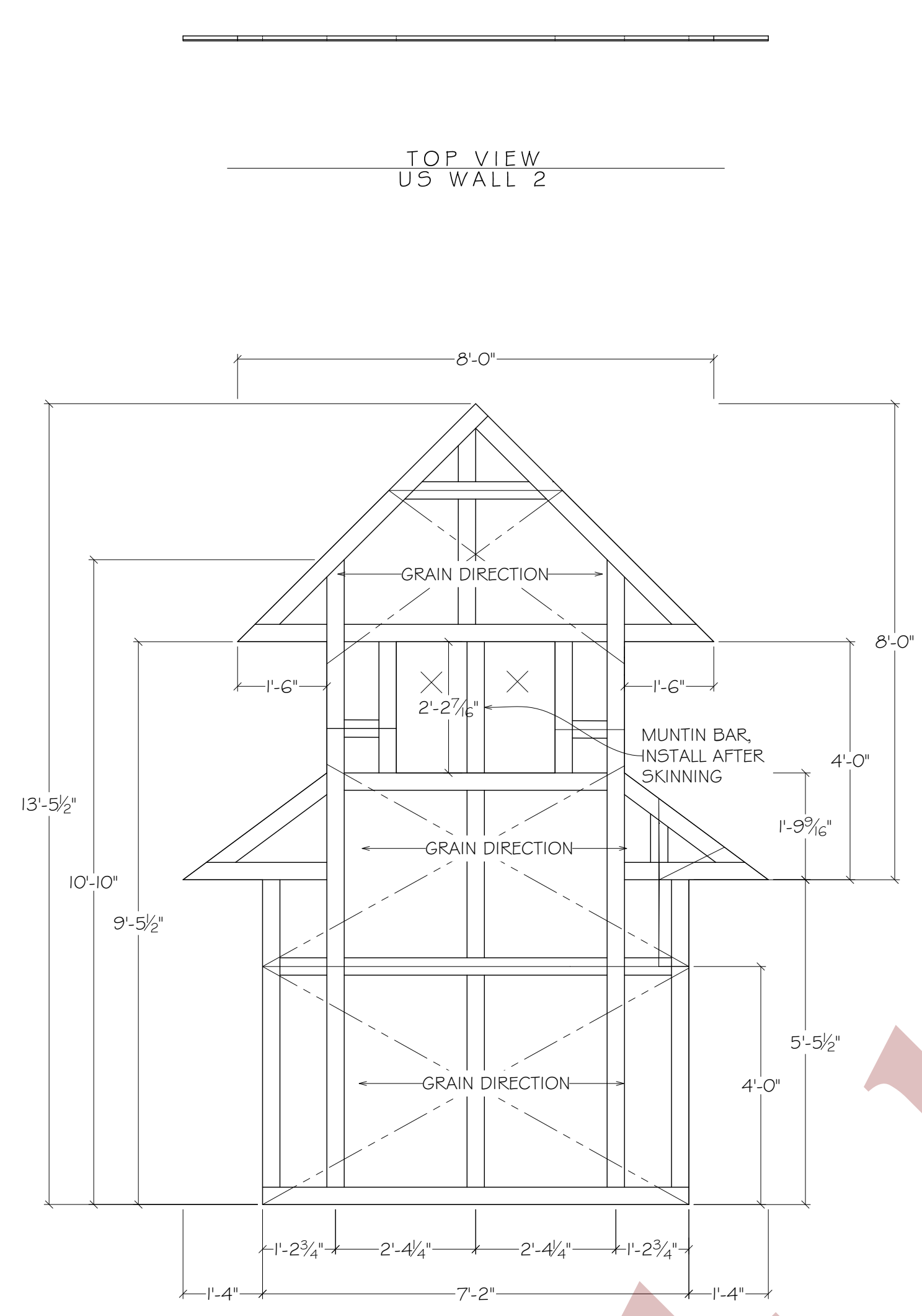


SIDE VIEW
US WALL IA TRIM



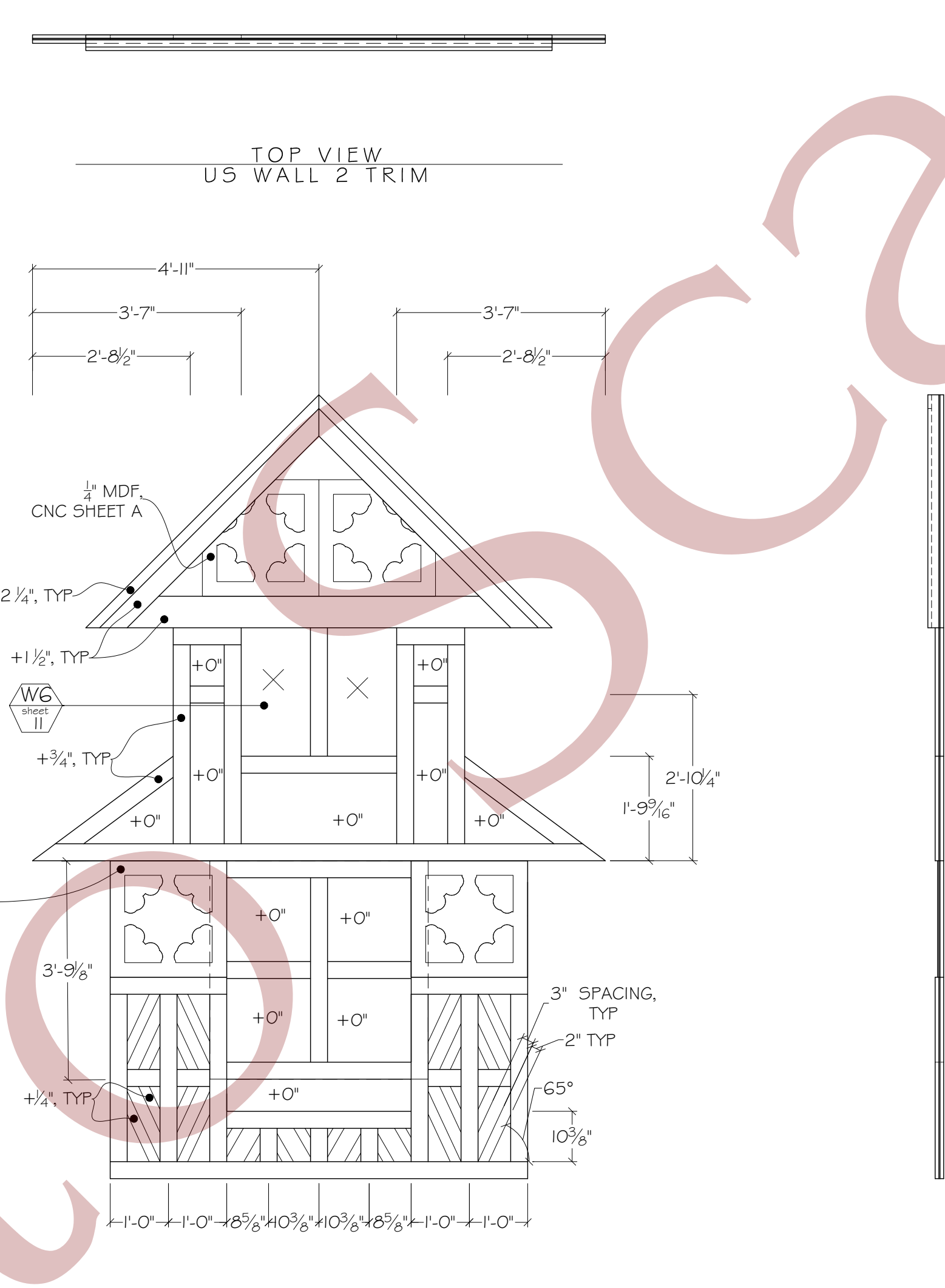
SIDE VIEW
US WALL IB TRIM

Indiana University Department of Theatre and Dance			
		SOMETHING ROTTEN!	
		US WALL I	
DESIGNER:	V. NEDVIGA	DATE:	4/6/23
DIRECTOR:	D.J. GRAY	REV. DATE:	
DRAWN BY:	RACHEL SHEARON	1/2" = 1'-0"	



TOP VIEW
US WALL 2

FRONT VIEW
US WALL 2



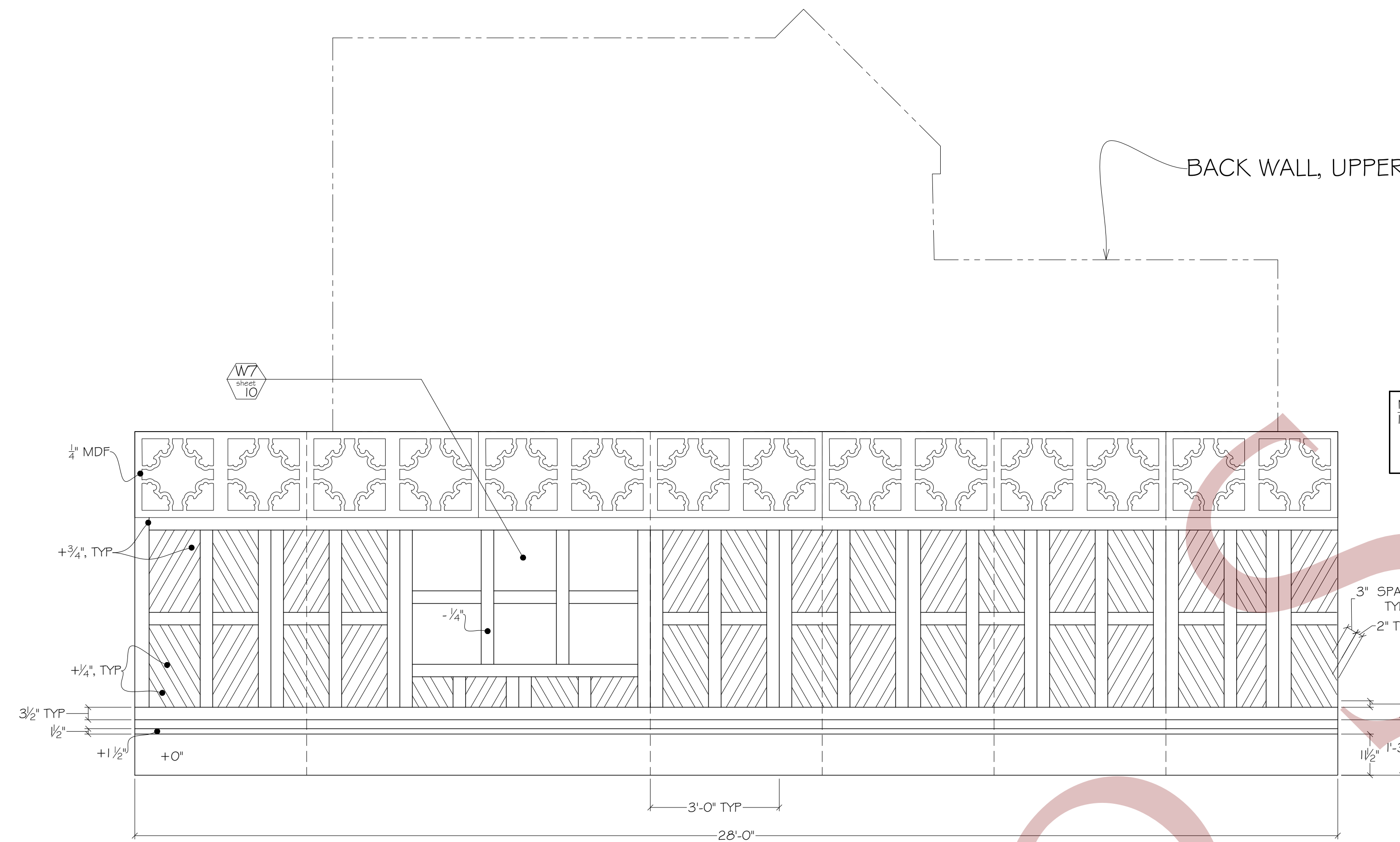
TOP VIEW
US WALL 2 TRIM

FRONT VIEW
US WALL 2 TRIM

SIDE VIEW
US WALL 2 TRIM

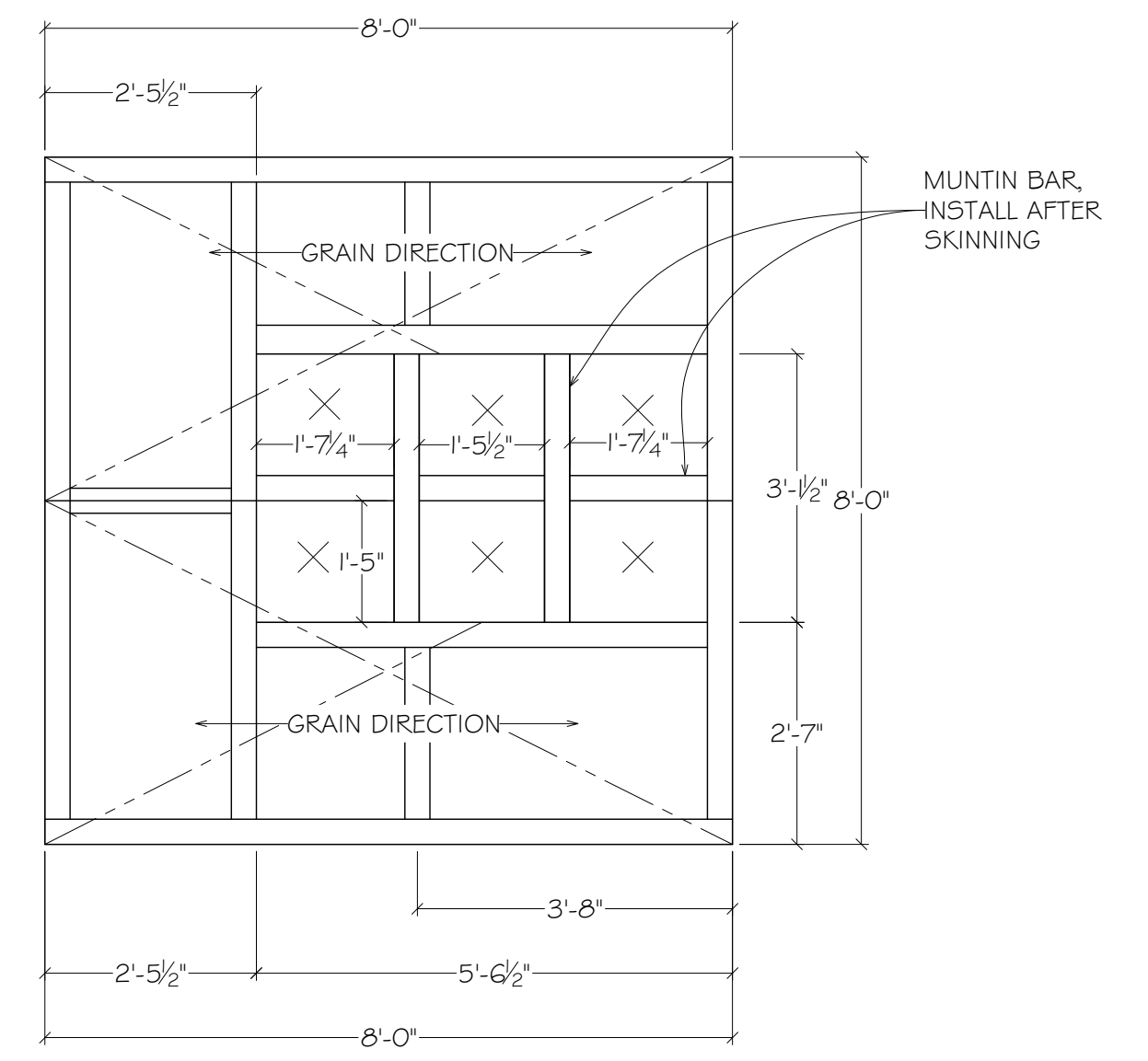
Not for scale

Indiana University Department of Theatre and Dance		6
SOMETHING ROTTEN! US WALL 2		
DESIGNER: V. NEDVIGA	DATE: 4/6/23	
DIRECTOR: D.J. GRAY	REV. DATE:	
DRAWN BY: RACHEL SHEARON	1/2" = 1'-0"	



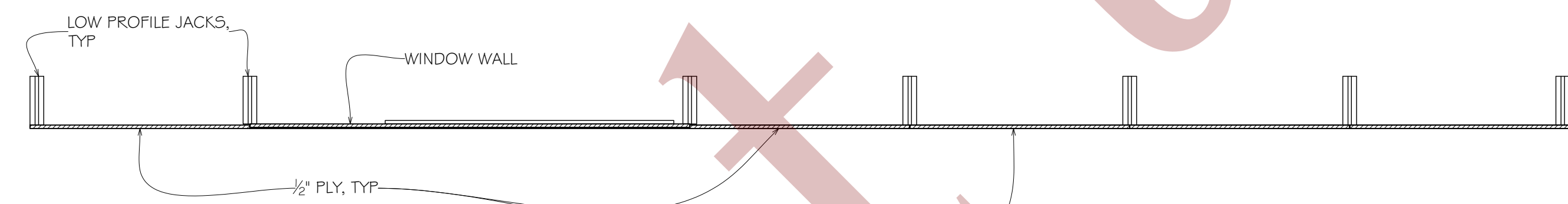
NOTES:
1. START TRIM FROM WINDOWS AND WORK OUT

NOTES:
1. BROADWAY FLAT CONSTRUCTION



FRONT VIEW
WALL D LOWER

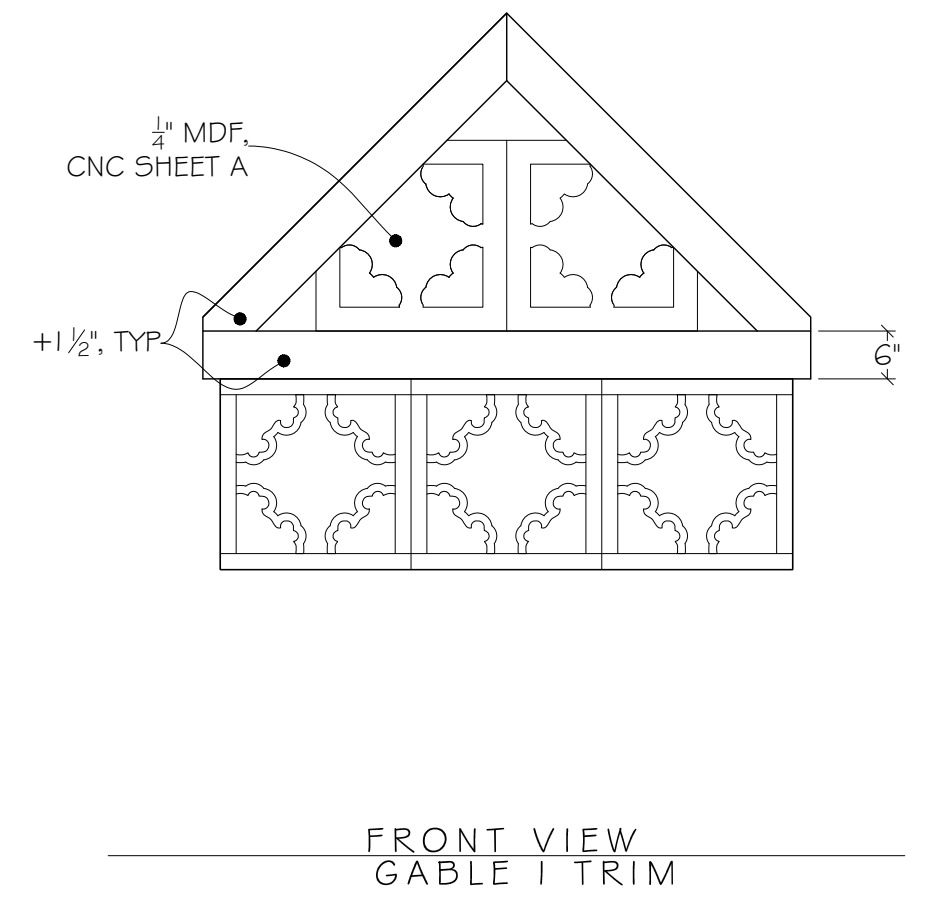
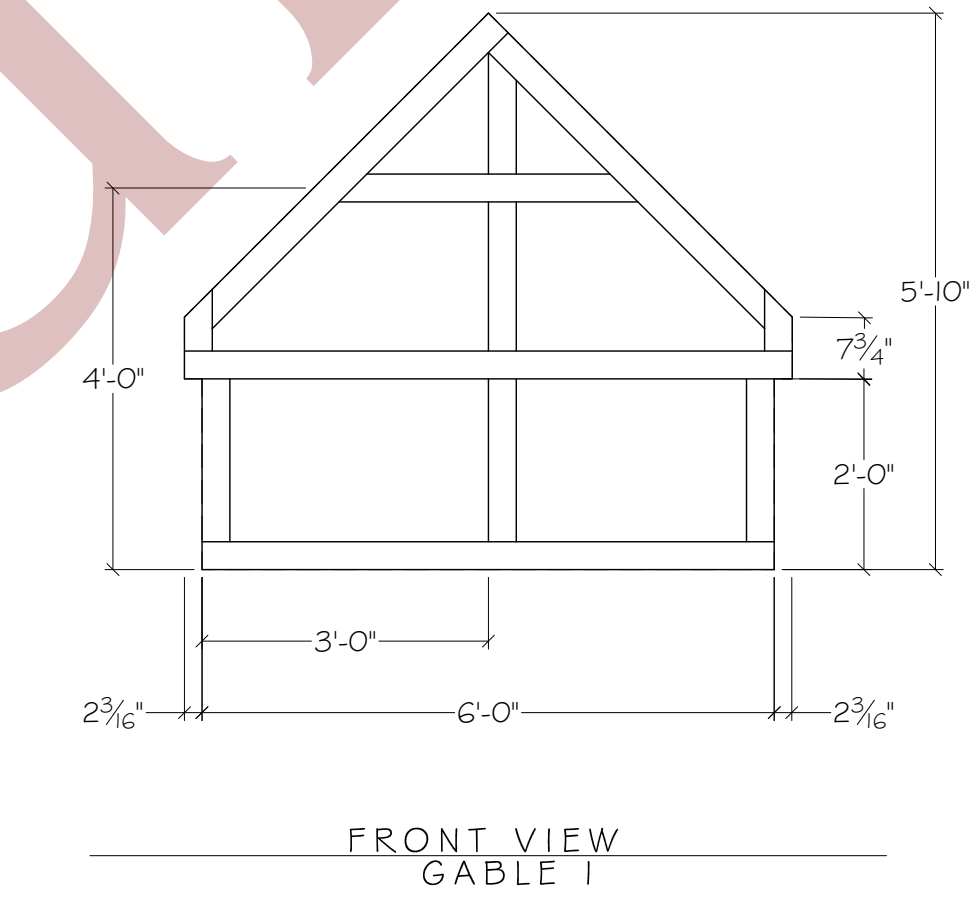
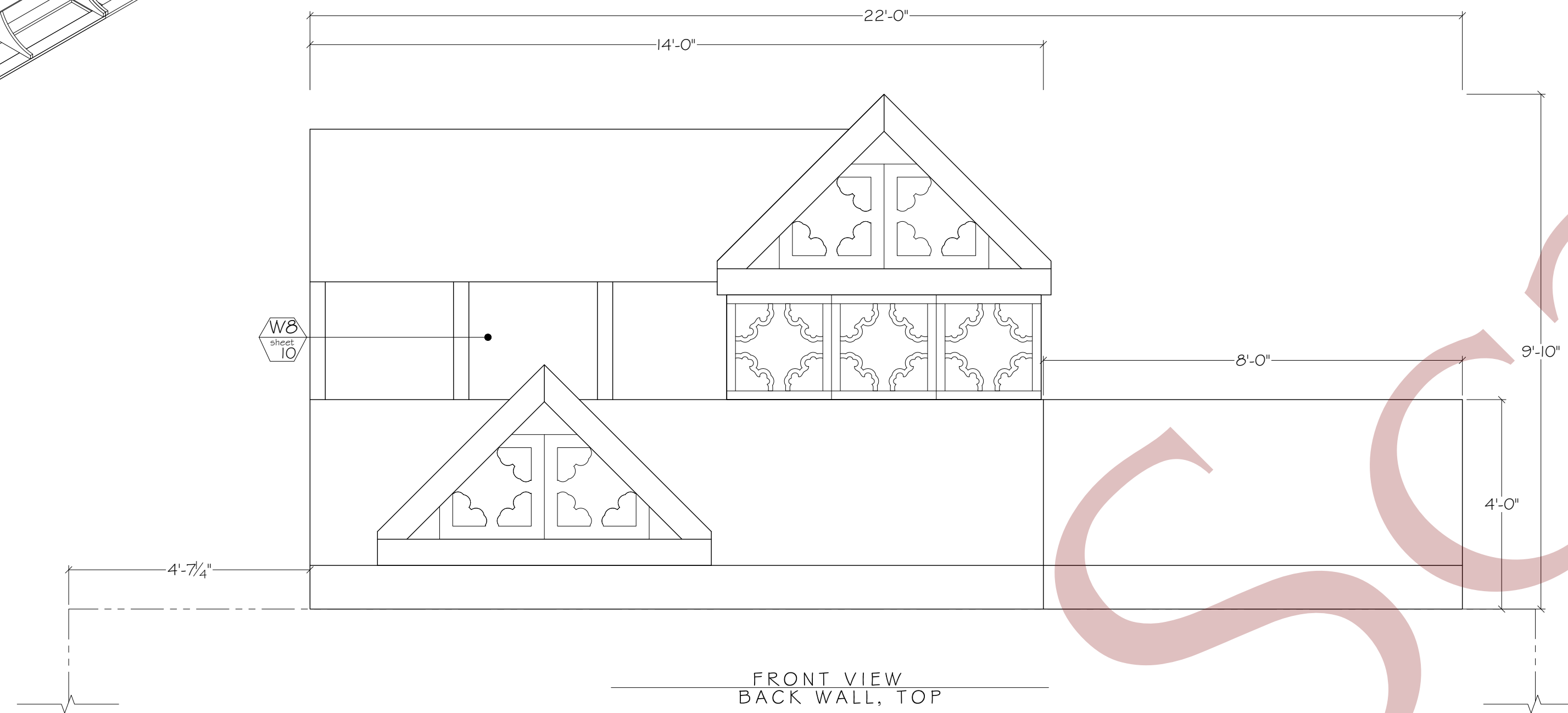
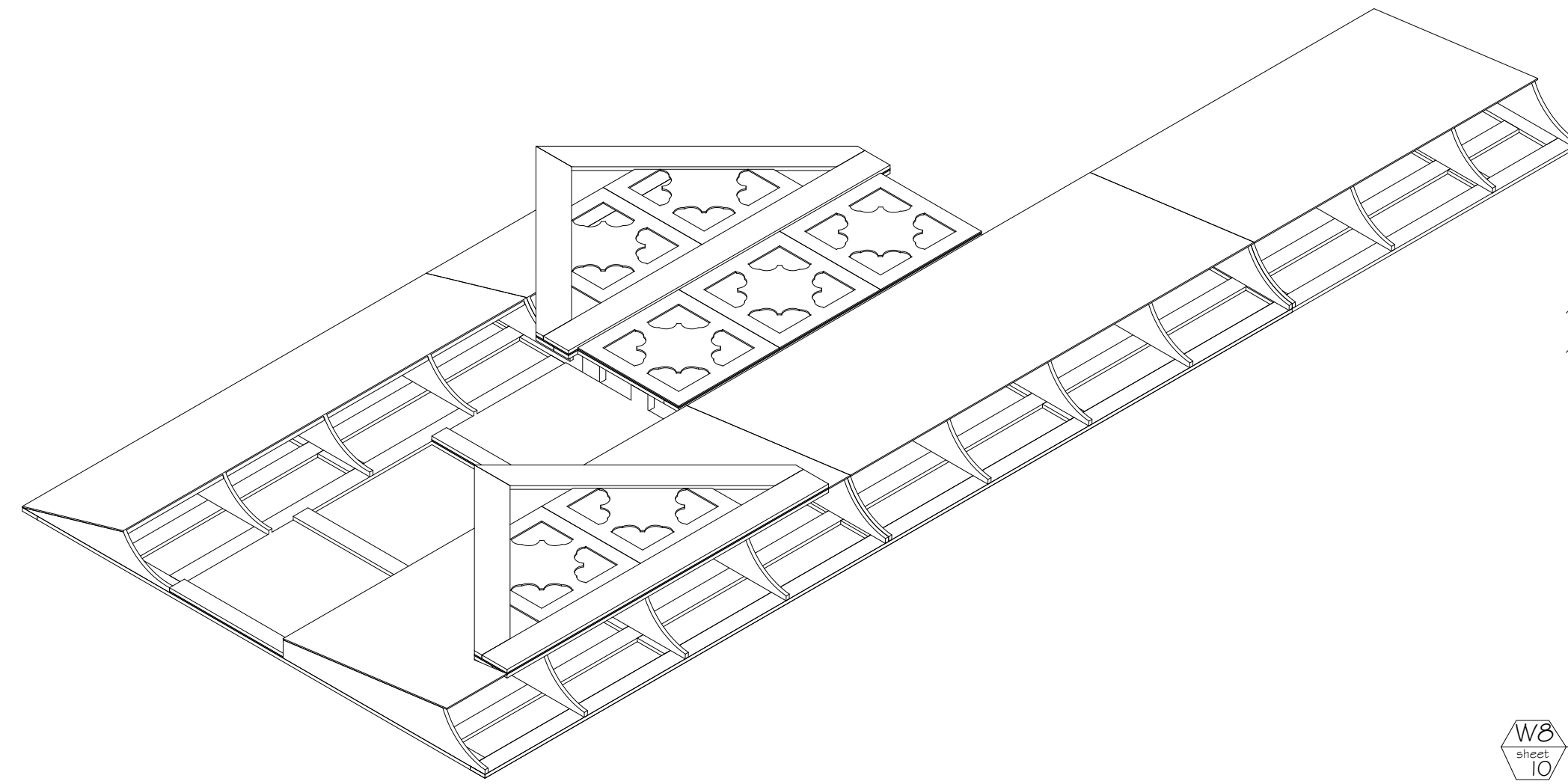
FRONT VIEW
WINDOW WALL



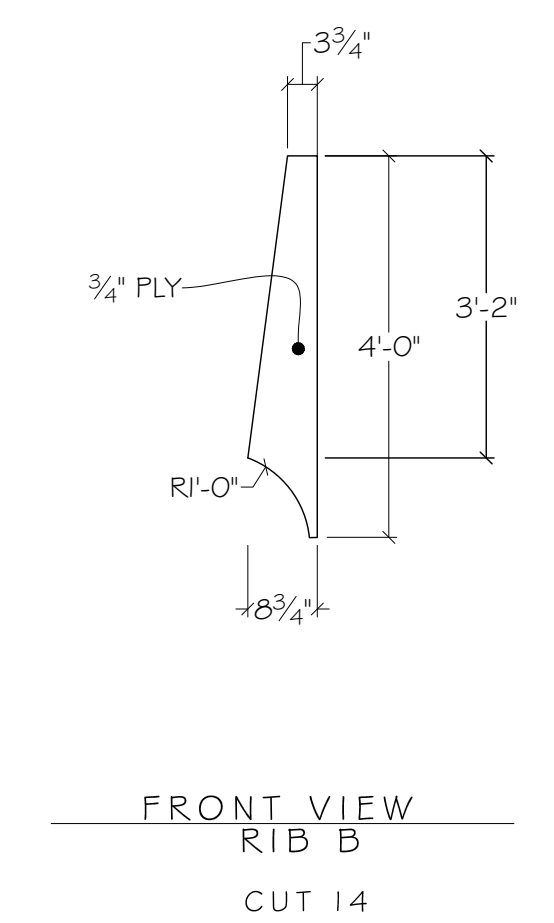
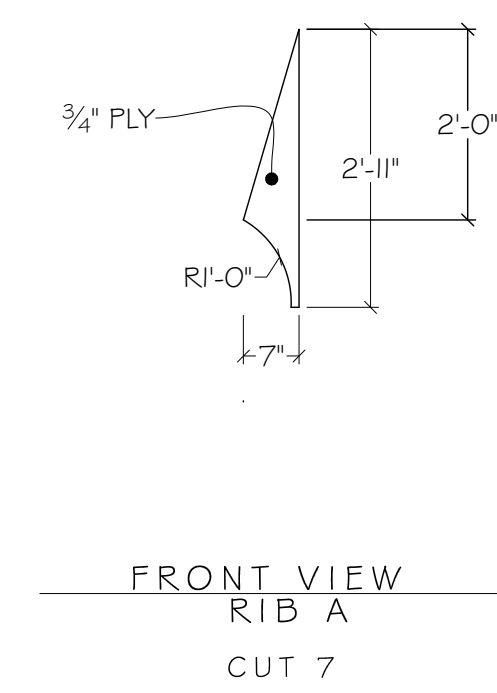
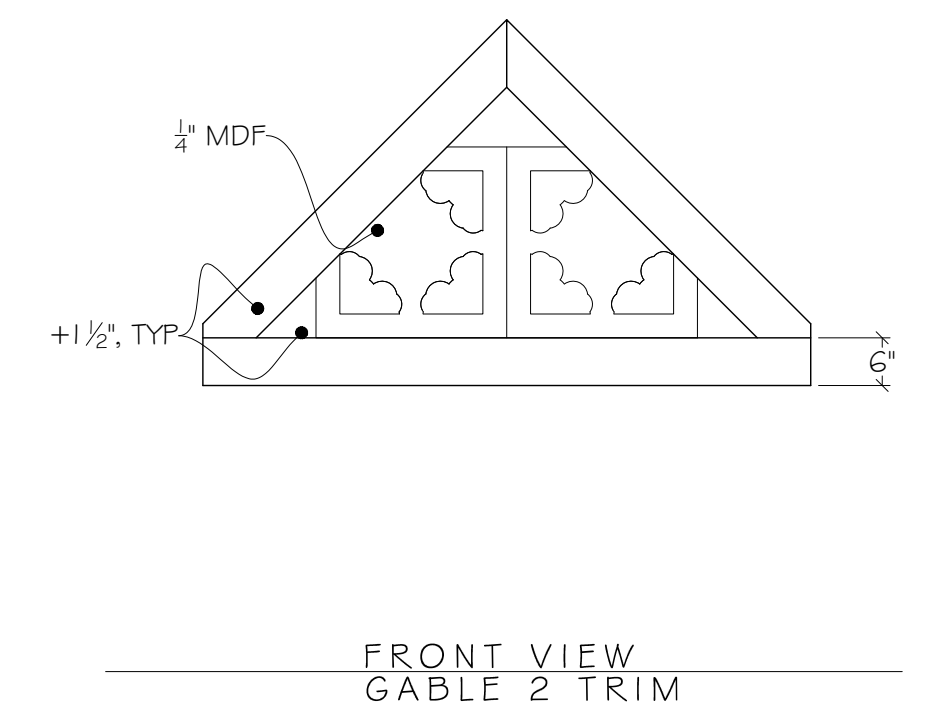
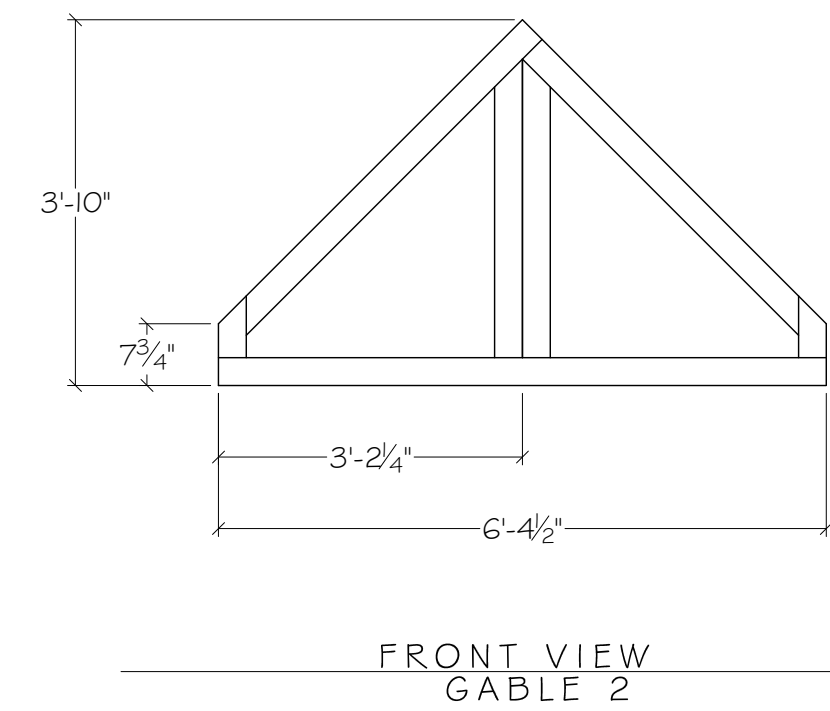
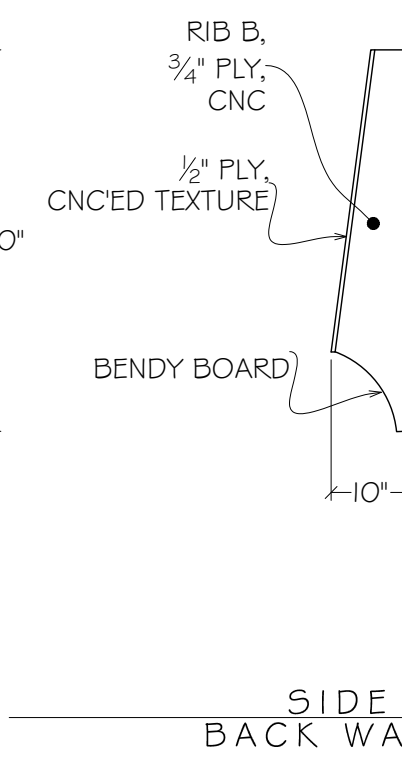
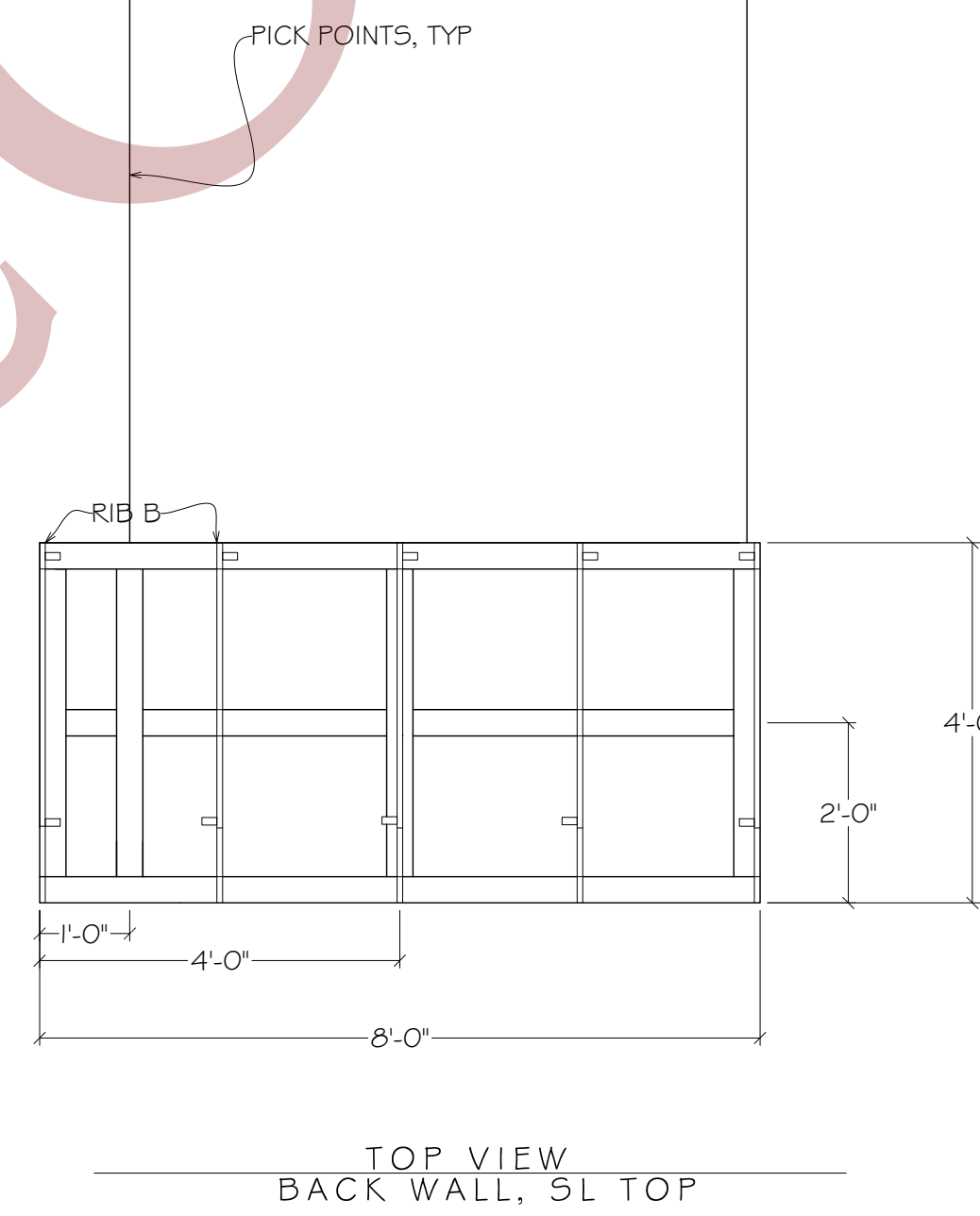
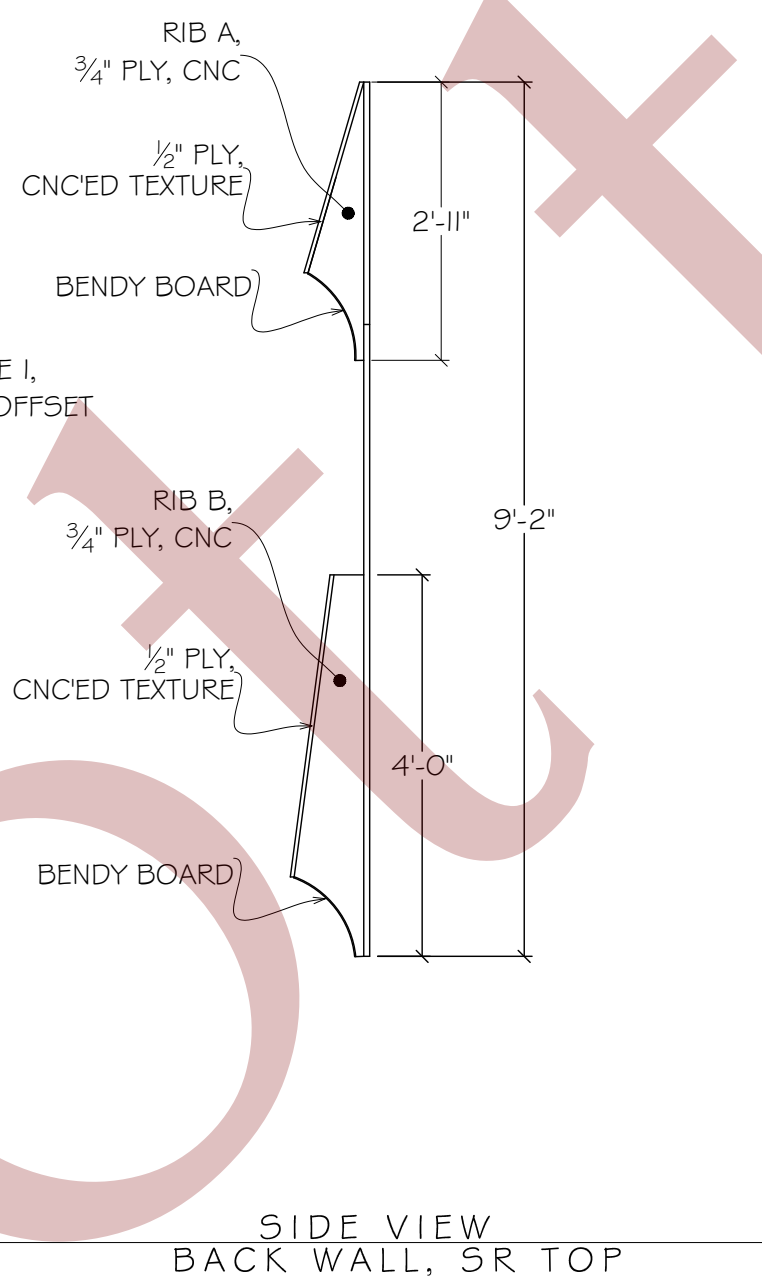
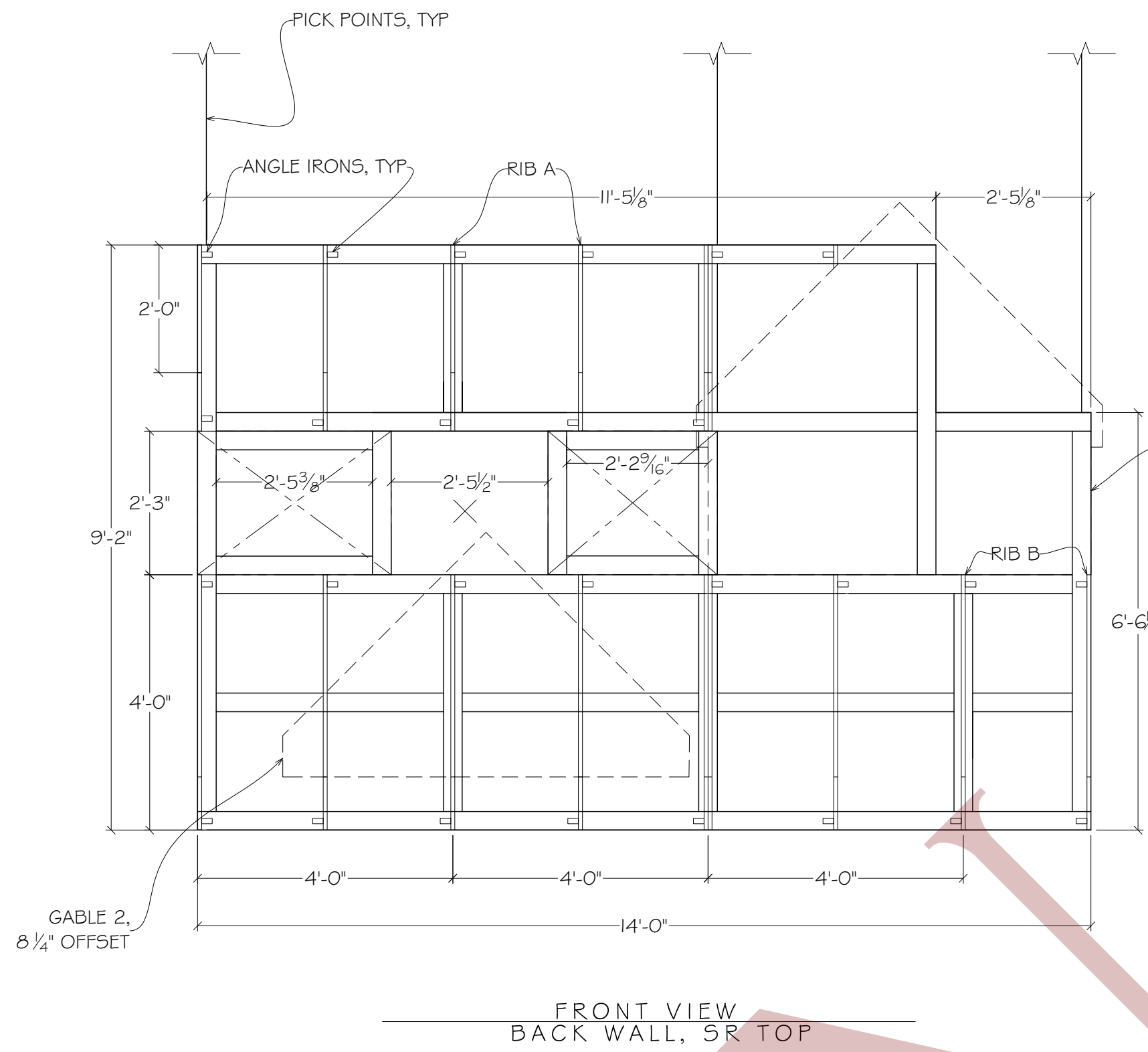
PLAN VIEW
U.S. WALL LOWER

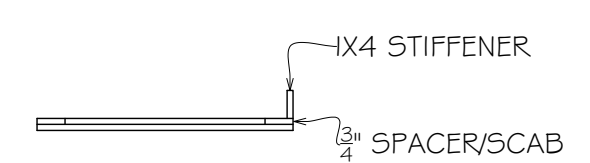
FRONT VIEW
WINDOW WALL

Indiana University Department of Theatre and Dance			
	SOMETHING ROTTEN!		
	BACK WALL, LOWER		
	DESIGNER: V. NEDVIGA	DATE: 4/6/23	7
	DIRECTOR: D.J. GRAY	REV DATE:	
DRAWN BY: RACHEL SHEARON	1/2" = 1'-0"		



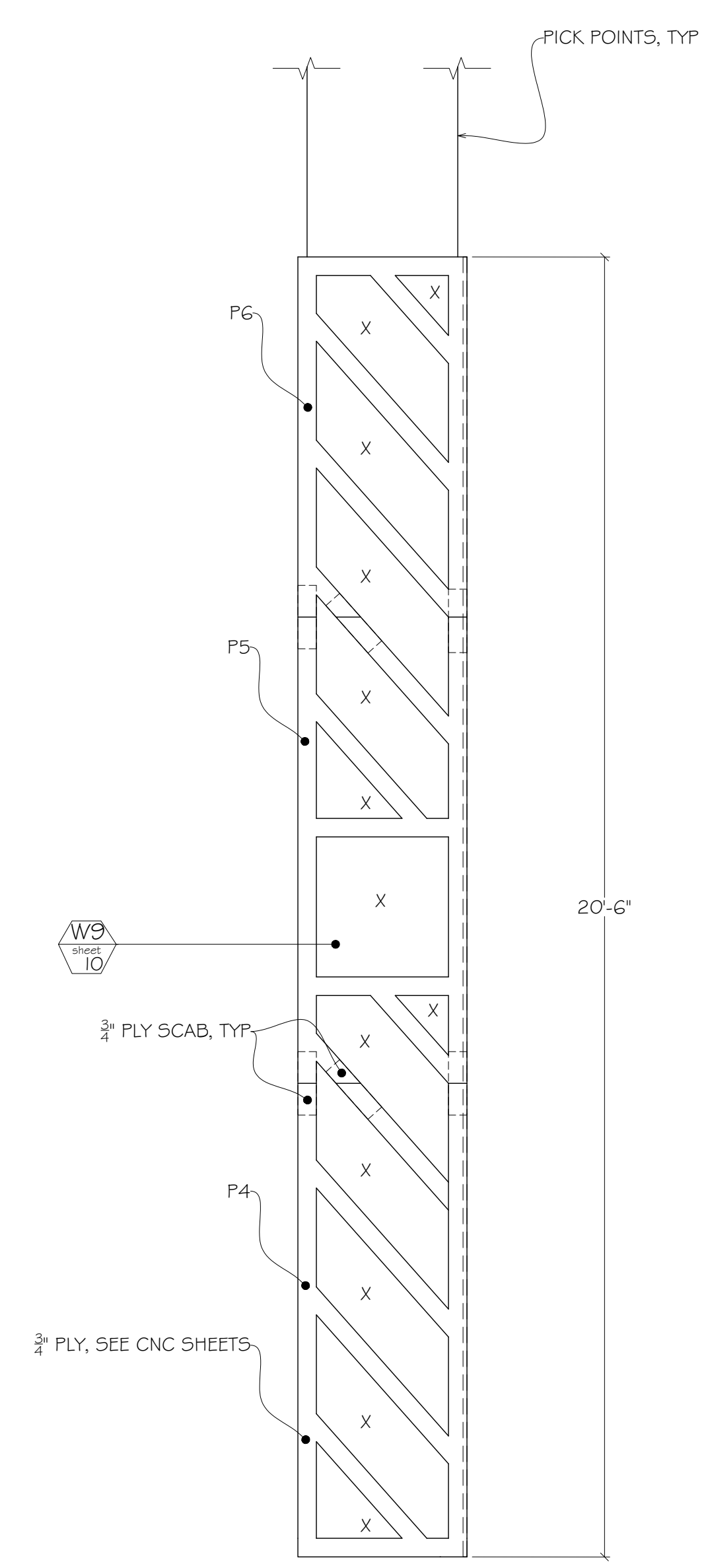
- NOTES:
- HOLLYWOOD FLAT CONSTRUCTION
 - ATTACH GABLE BEFORE ROOF RIBS
 - SKIN ROOF WITH 1/2" PLY



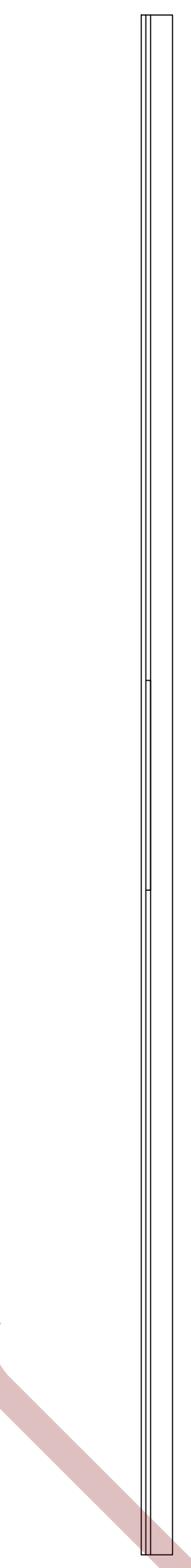


TOP VIEW
PORTAL LEG

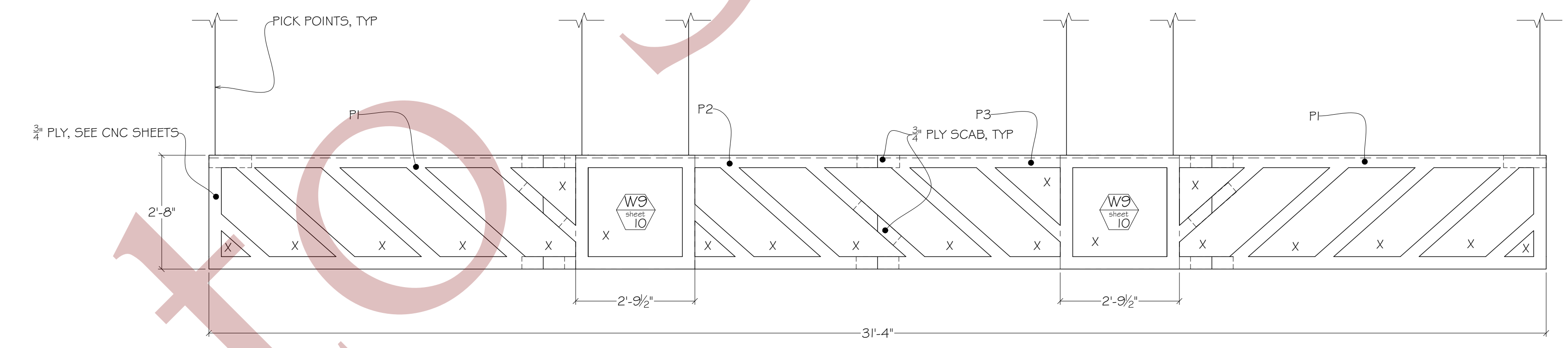
NOTES:
1. BUILD 3
2. INSTALL STIFFENER ON
OPPOSITE SIDE ON 1



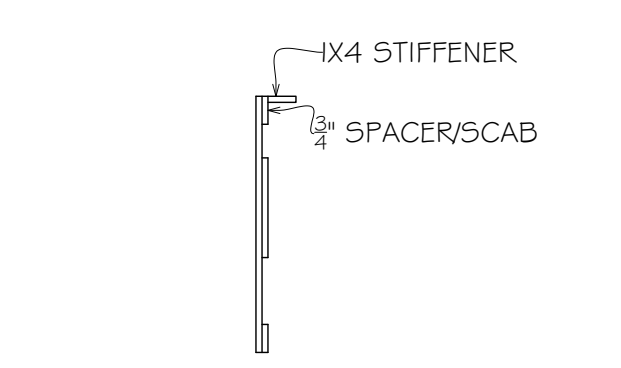
FRONT VIEW
PORTAL LEG



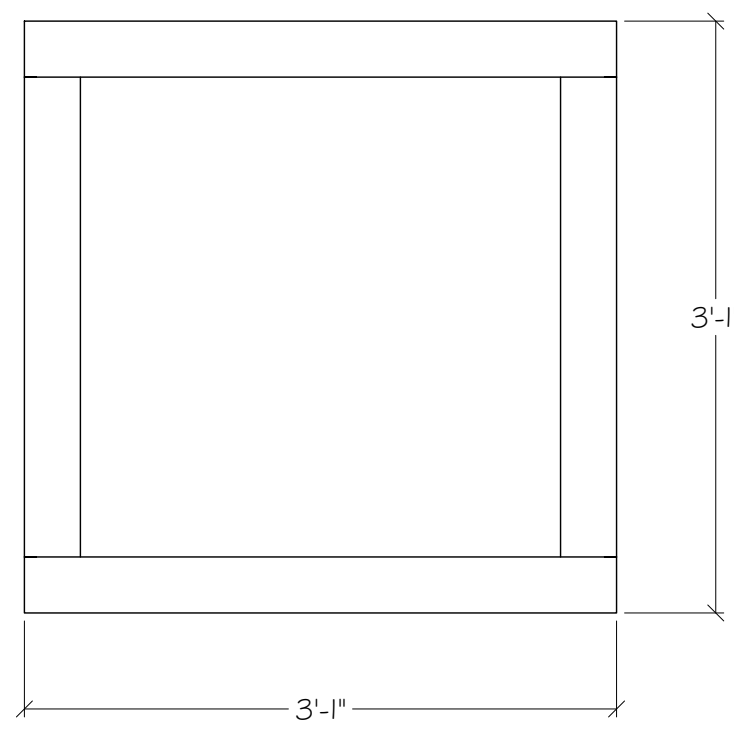
SIDE VIEW
PORTAL LEG



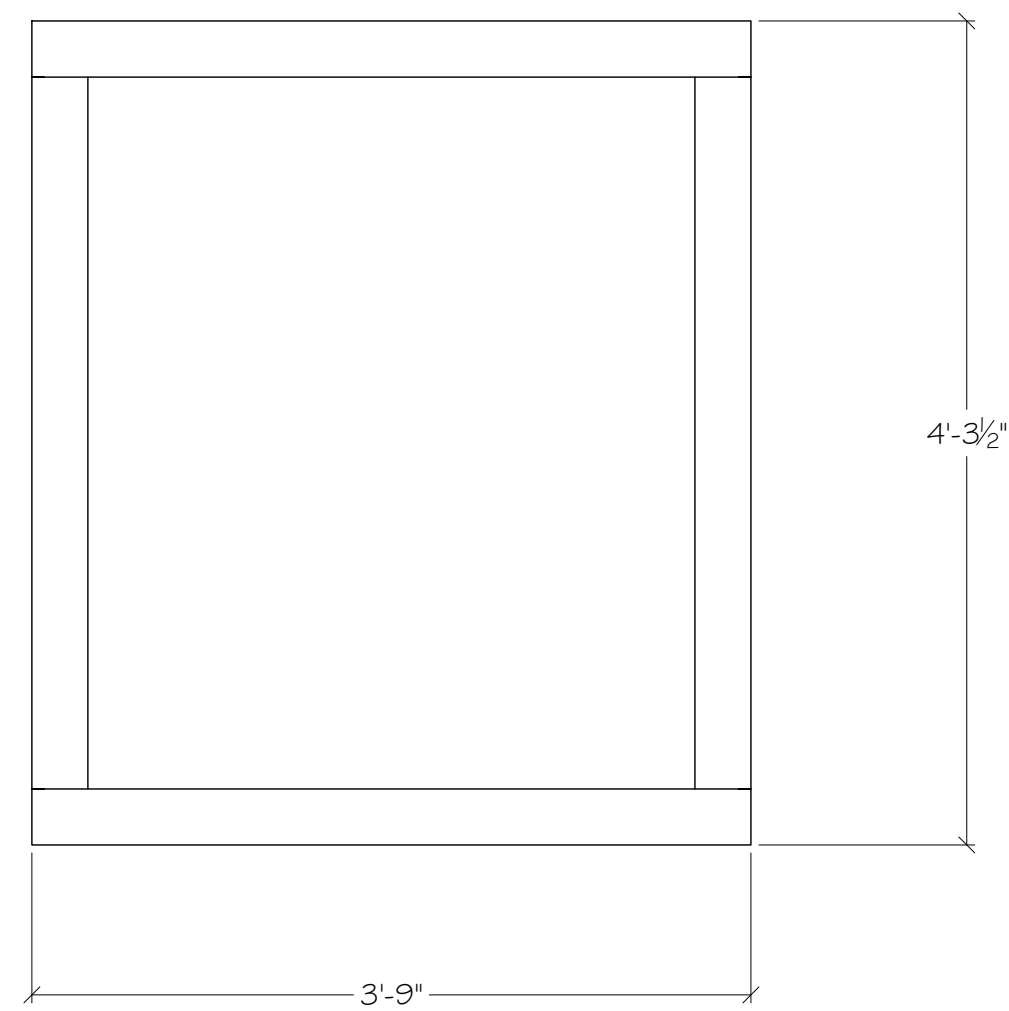
SIDE VIEW
PORTAL HEADER



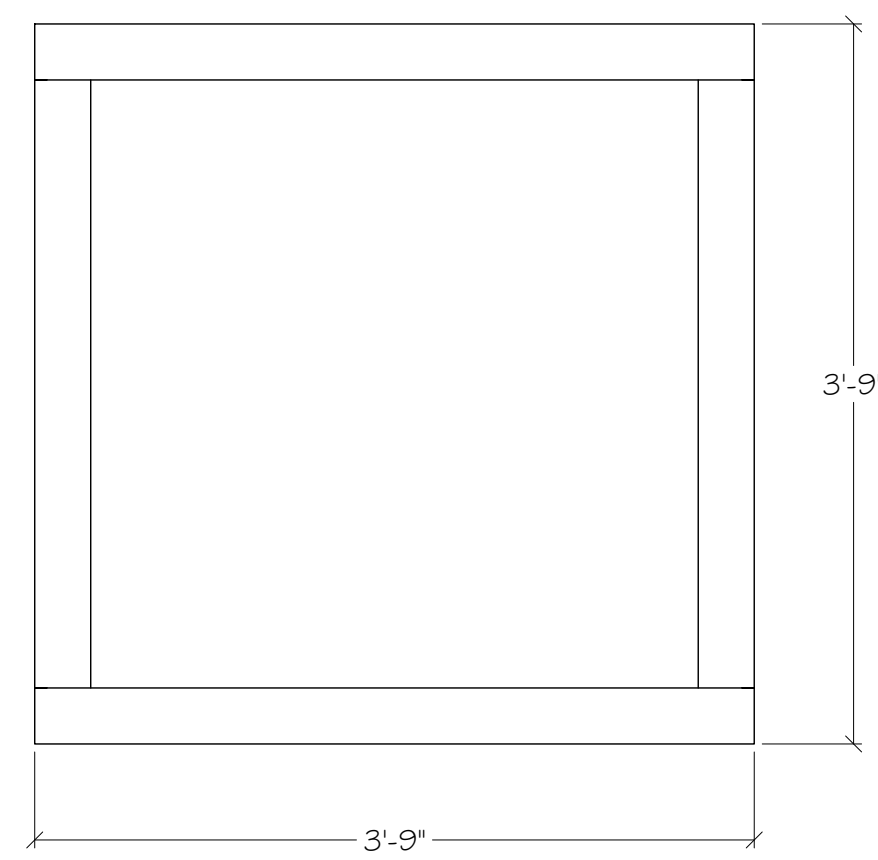
SIDE VIEW
PORTAL HEADER



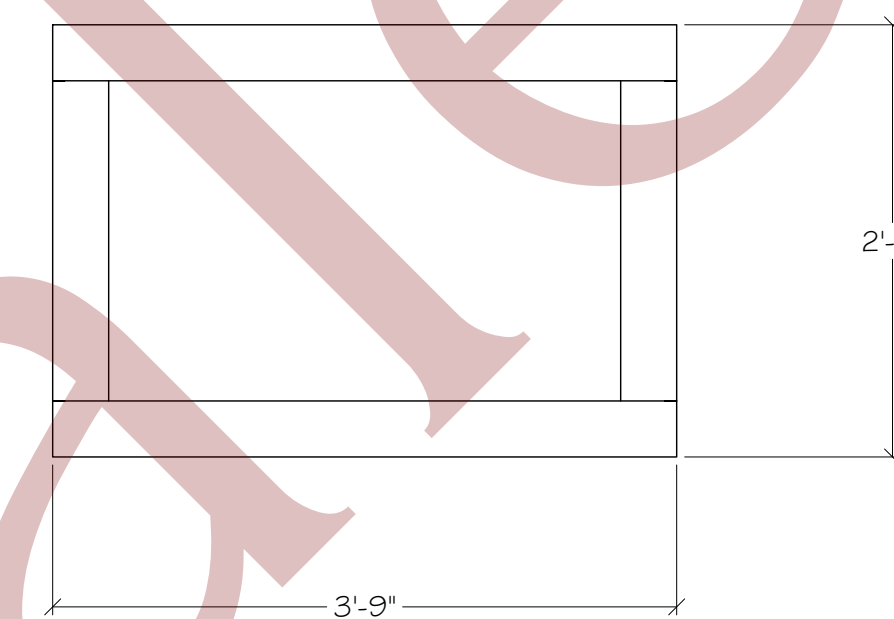
FRONT VIEW
WINDOW 1



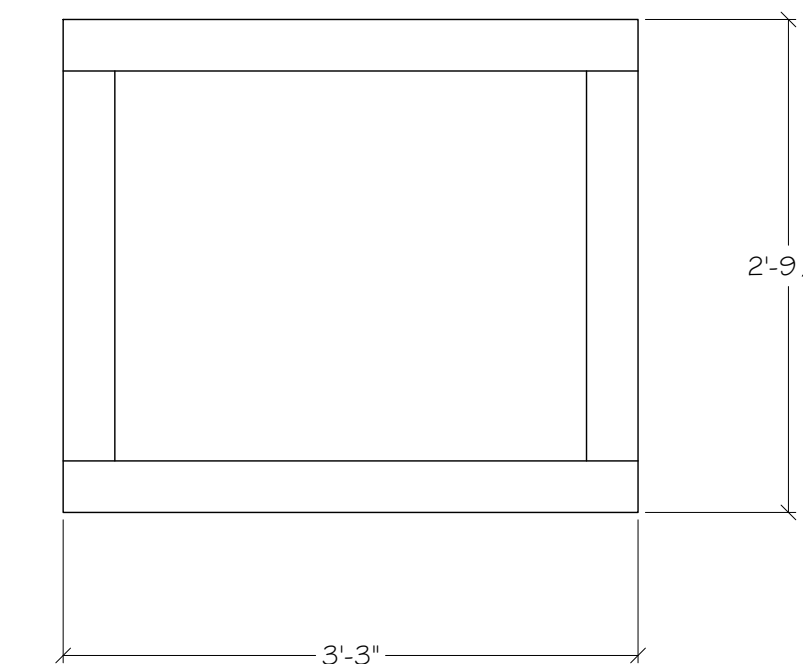
FRONT VIEW
WINDOW 2



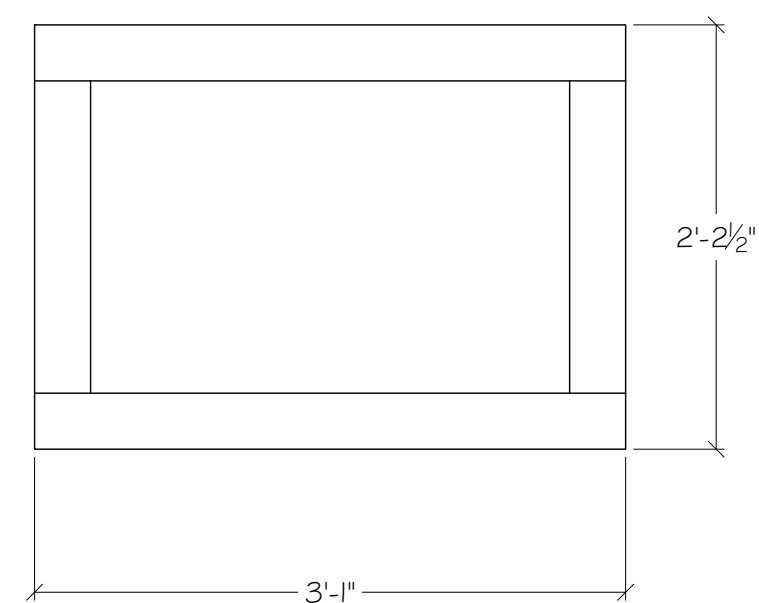
FRONT VIEW
WINDOW 3



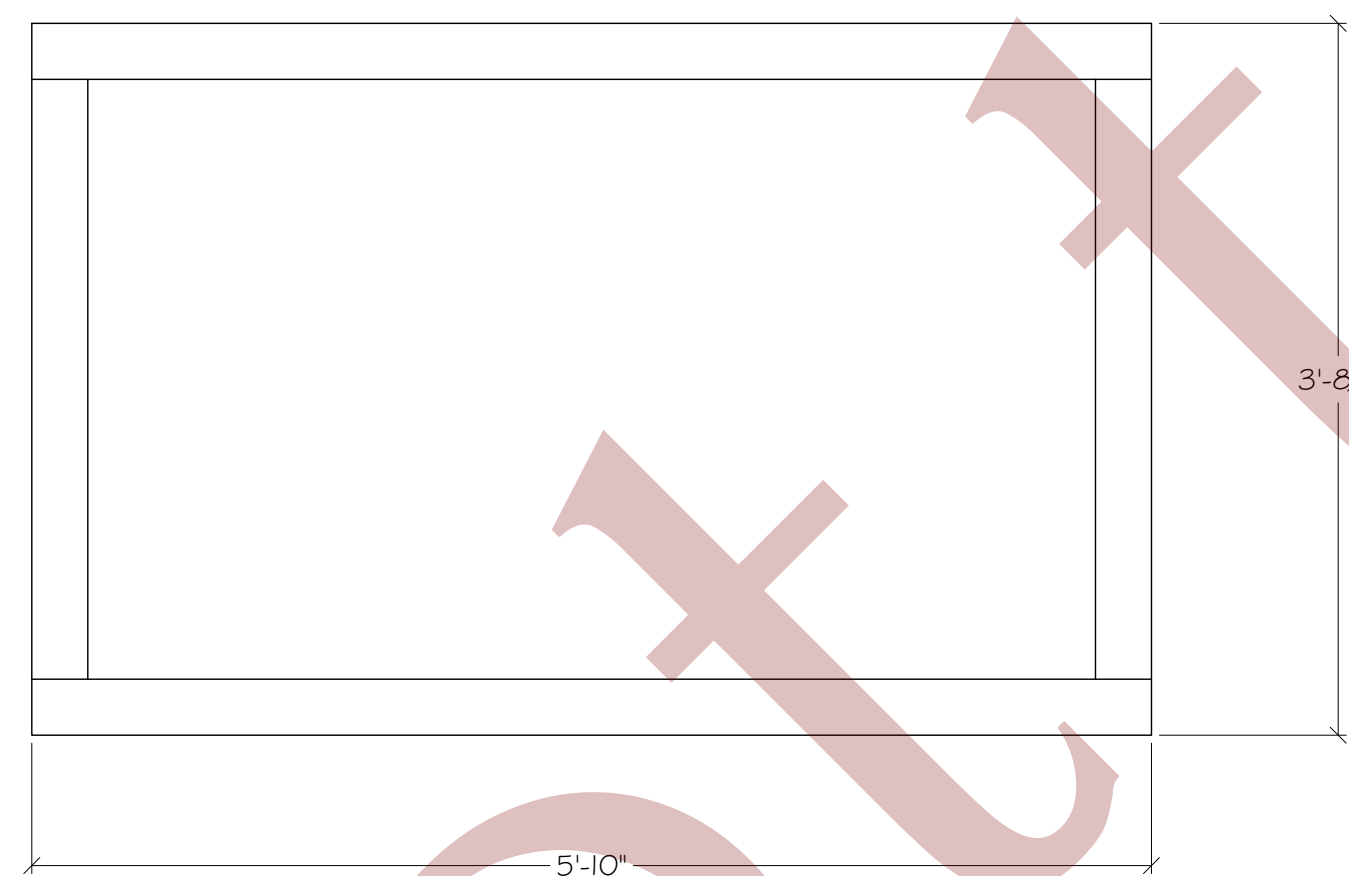
FRONT VIEW
WINDOW 4



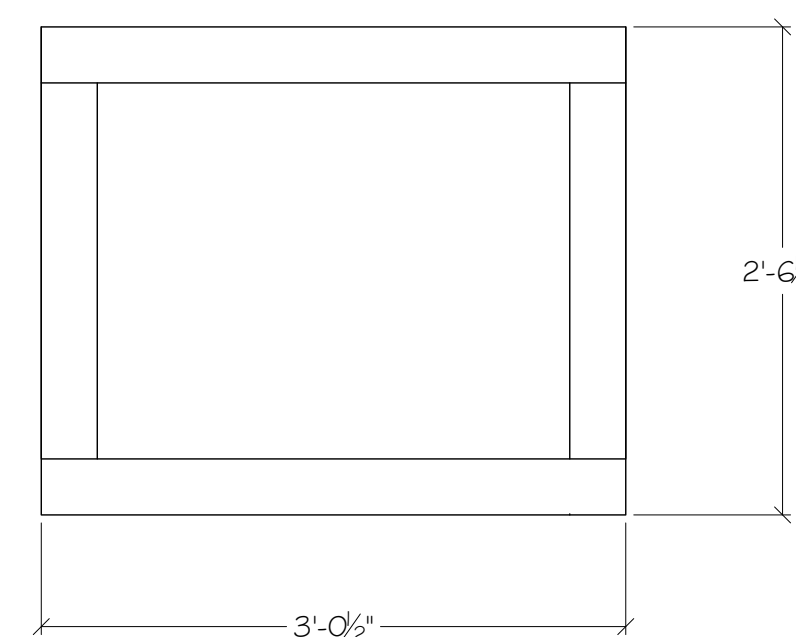
FRONT VIEW
WINDOW 5



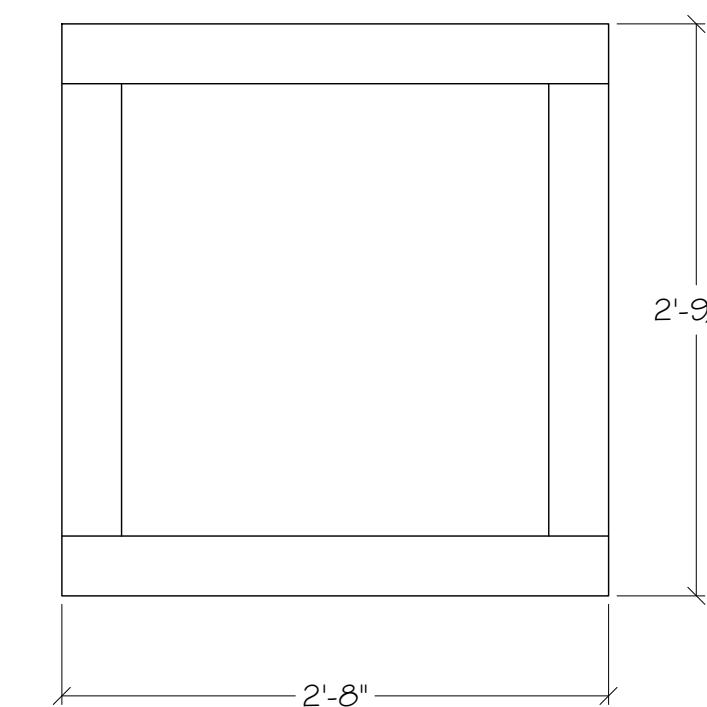
FRONT VIEW
WINDOW 6



FRONT VIEW
WINDOW 7



FRONT VIEW
WINDOW 8

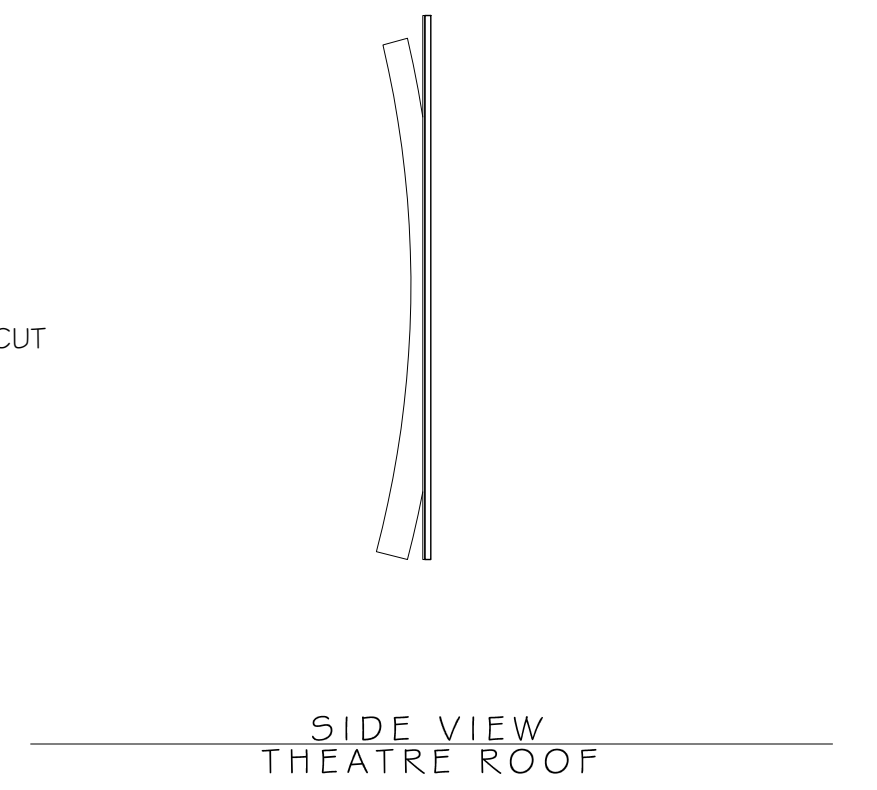
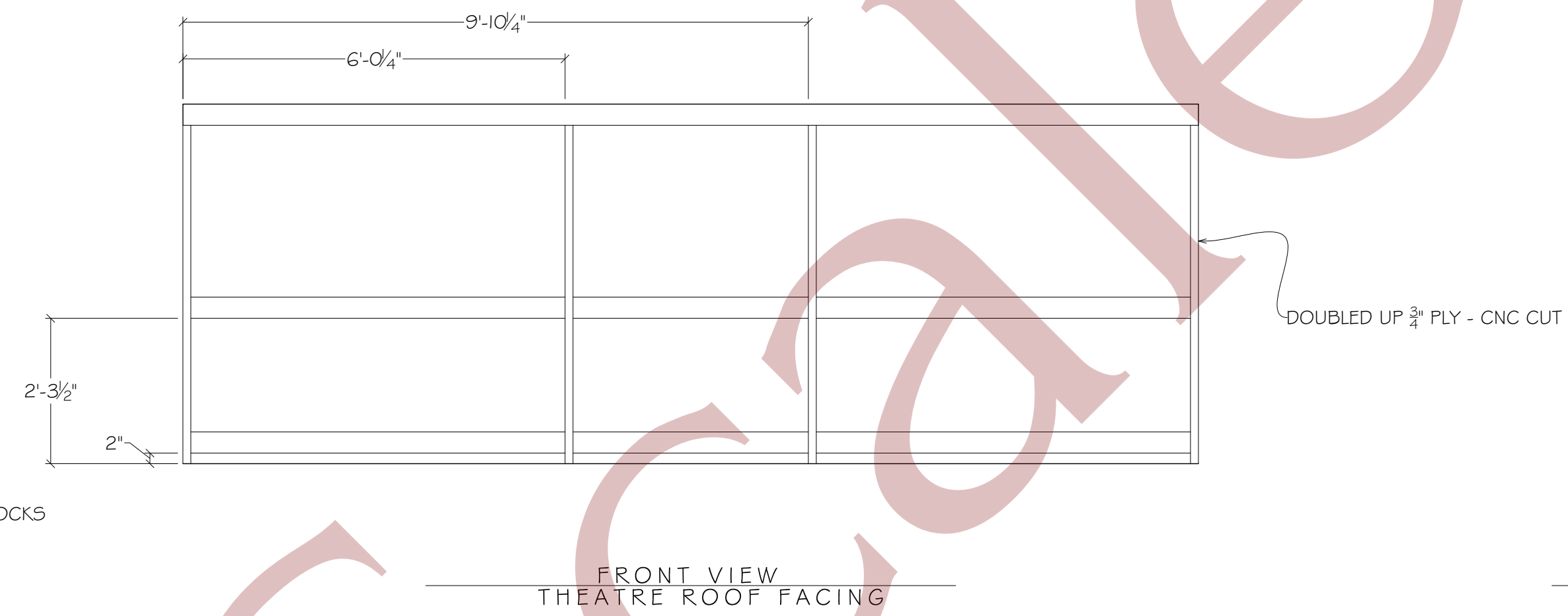
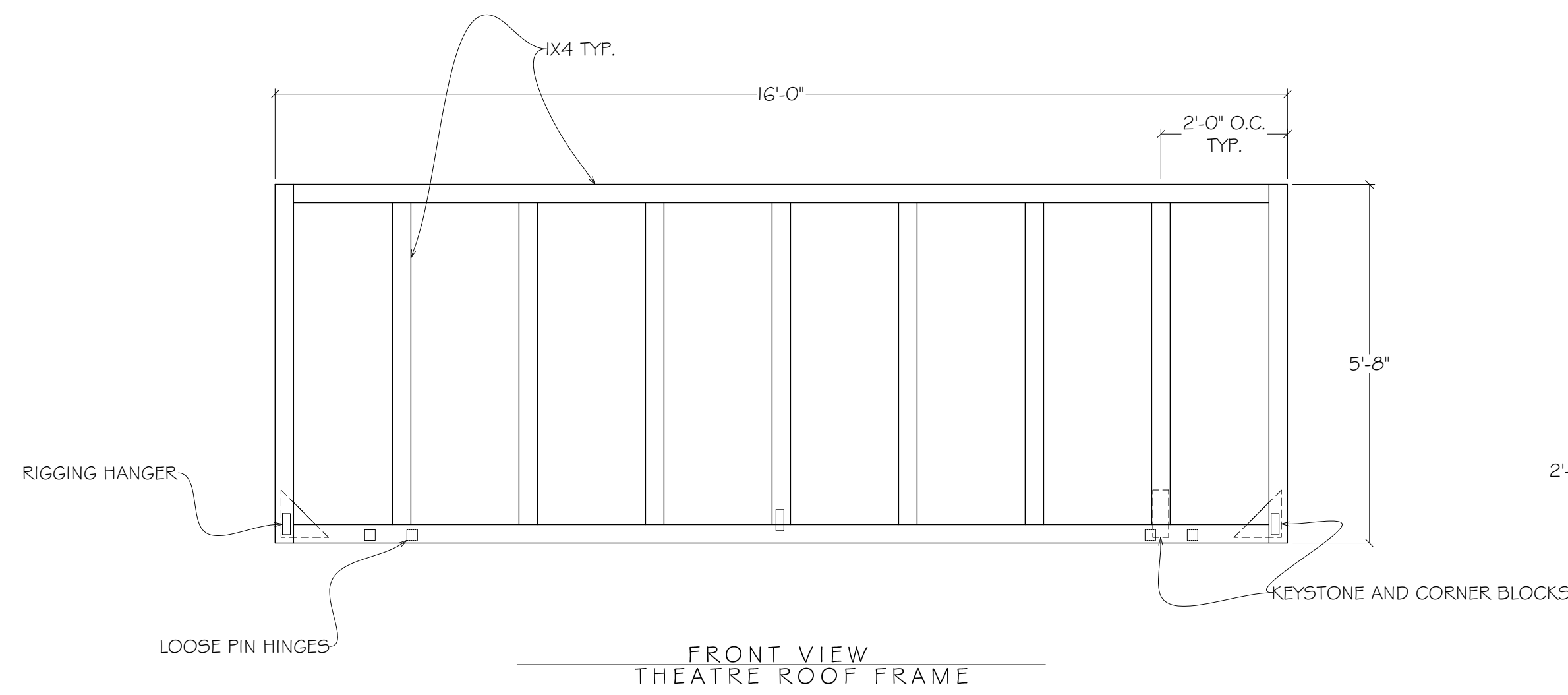


FRONT VIEW
WINDOW 9

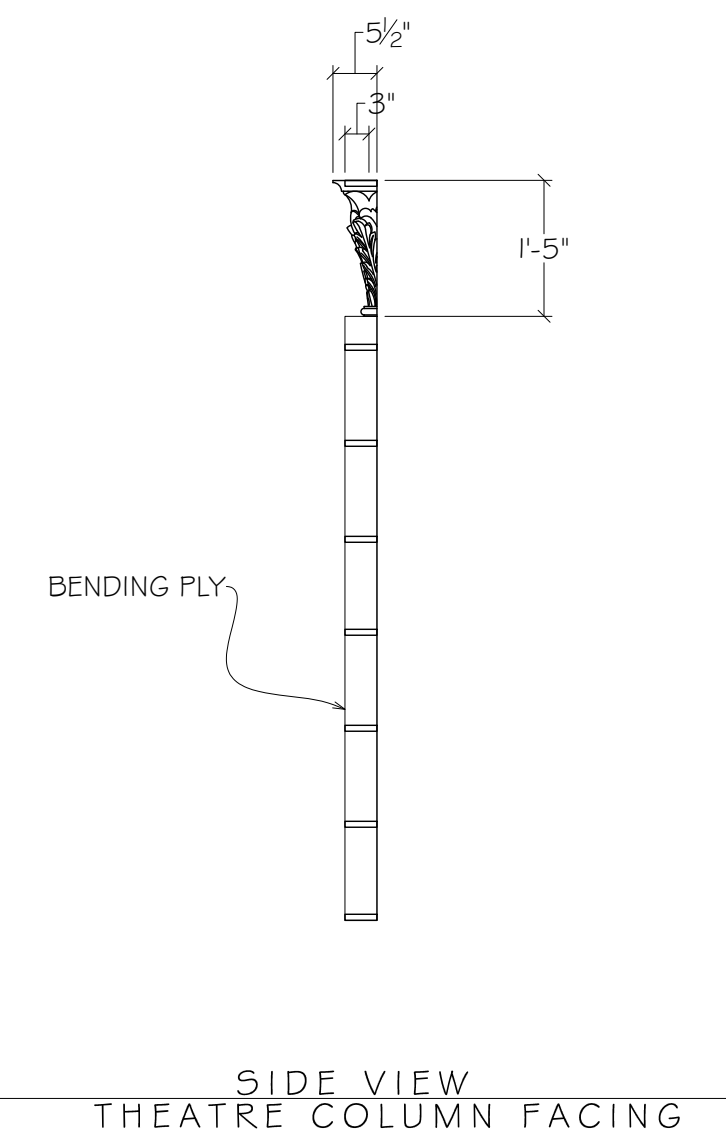
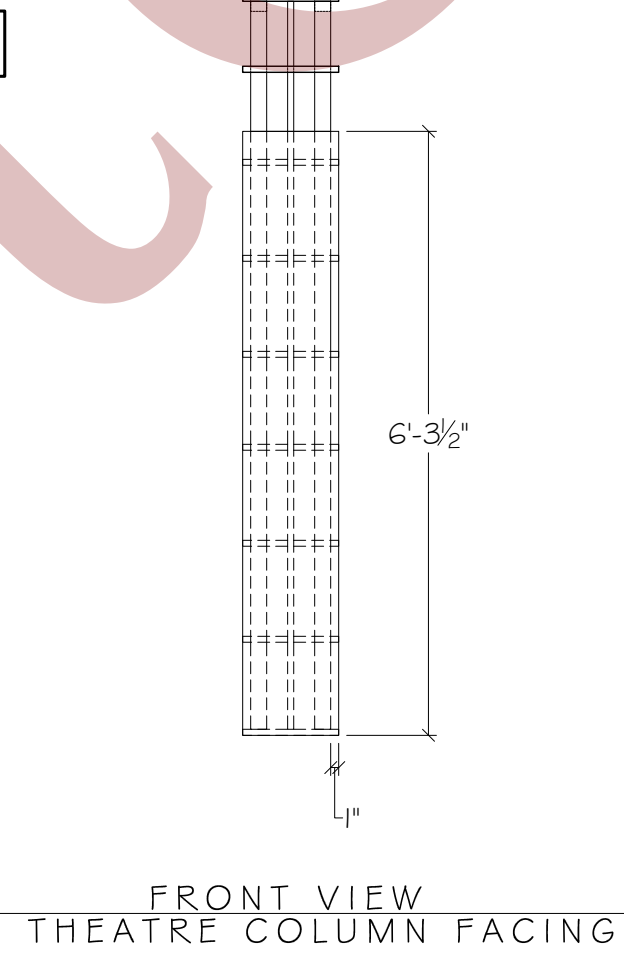
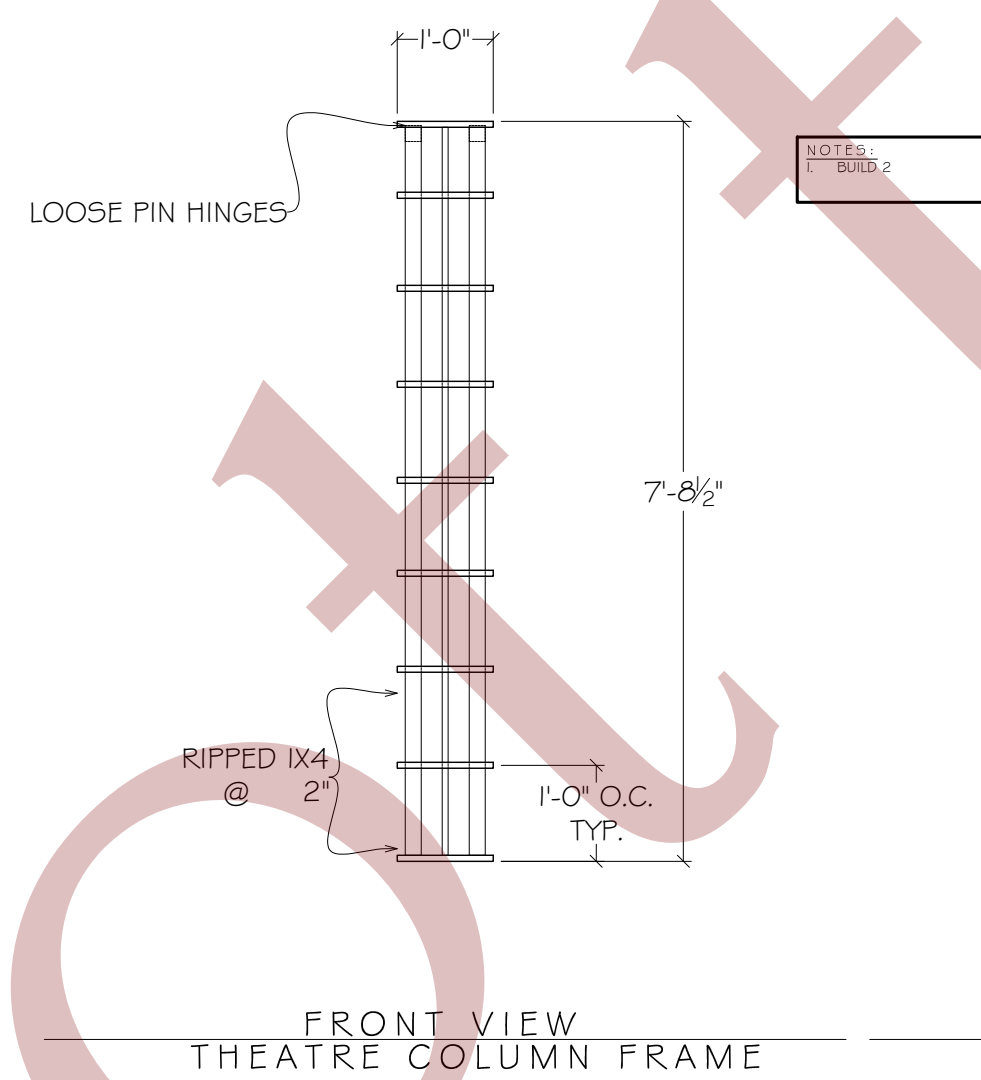
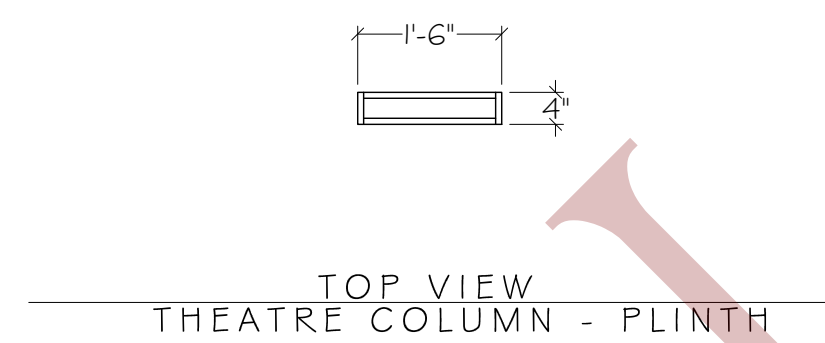
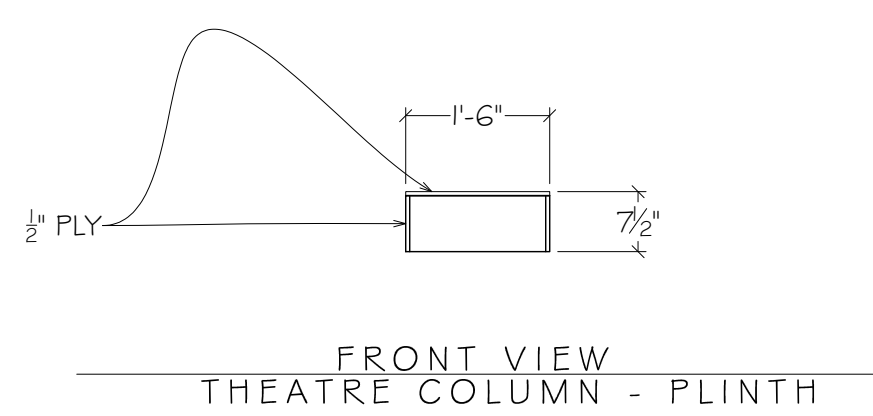
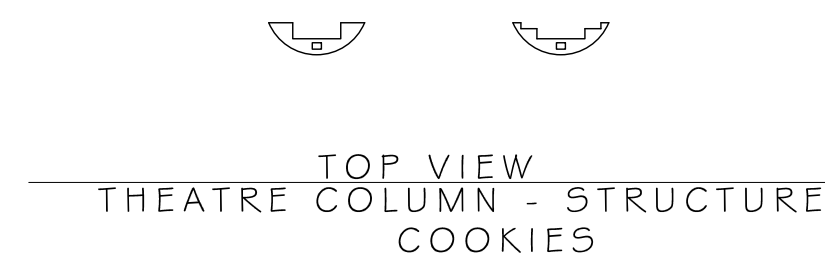
BUILD 5

NOTES:
1. SCRIM COVERED BROADWAY FLATS

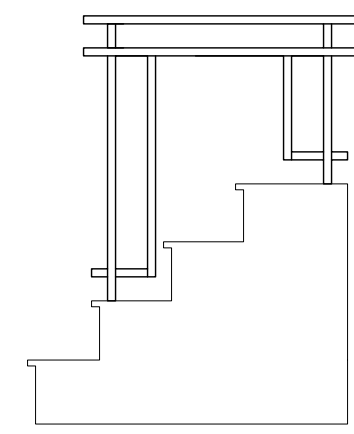
Indiana University Department of Theatre and Dance			
	SOMETHING ROTTEN! WINDOWS		
	DESIGNER: V. NEDVIGA	DATE: 4/6/23	10
	DIRECTOR: D.J. GRAY	REV. DATE:	
	DRAWN BY: RACHEL SHEARON	1" = 1'-0"	



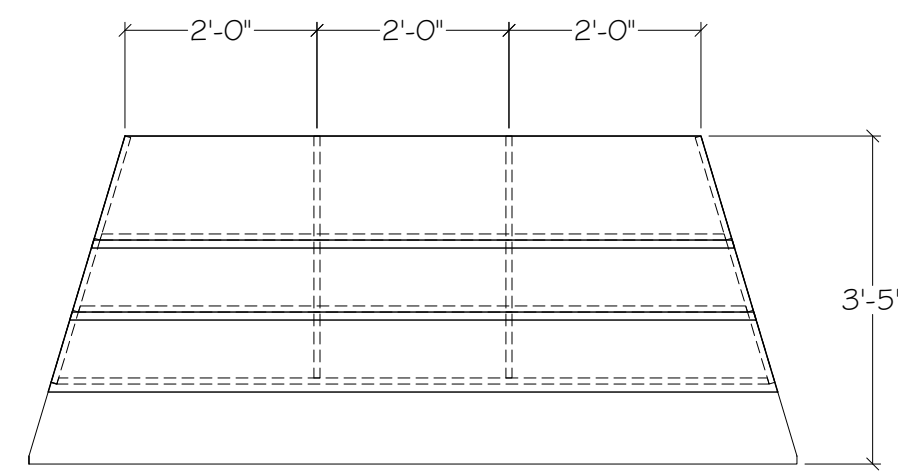
- NOTES:
- BUILD 2 LEFT COOKIES
 - BUILD 7 RIGHT COOKIES
 - CNC CUT



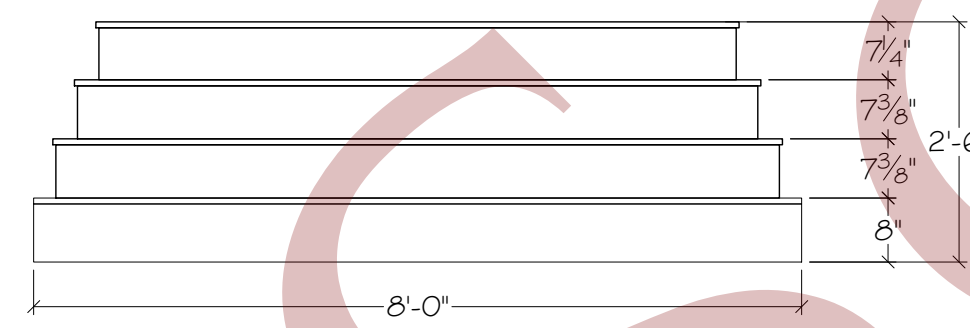
Indiana University Department of Theatre and Dance		SOMETHING ROTTEN! THEATRE UNIT		11
DESIGNER: V. NEDVIGA	DATE: 4/6/23			
DIRECTOR: D.J. GRAY	REV DATE:			
DRAWN BY: ELLIOTT CARNELL	1/2" = 1'-0"			



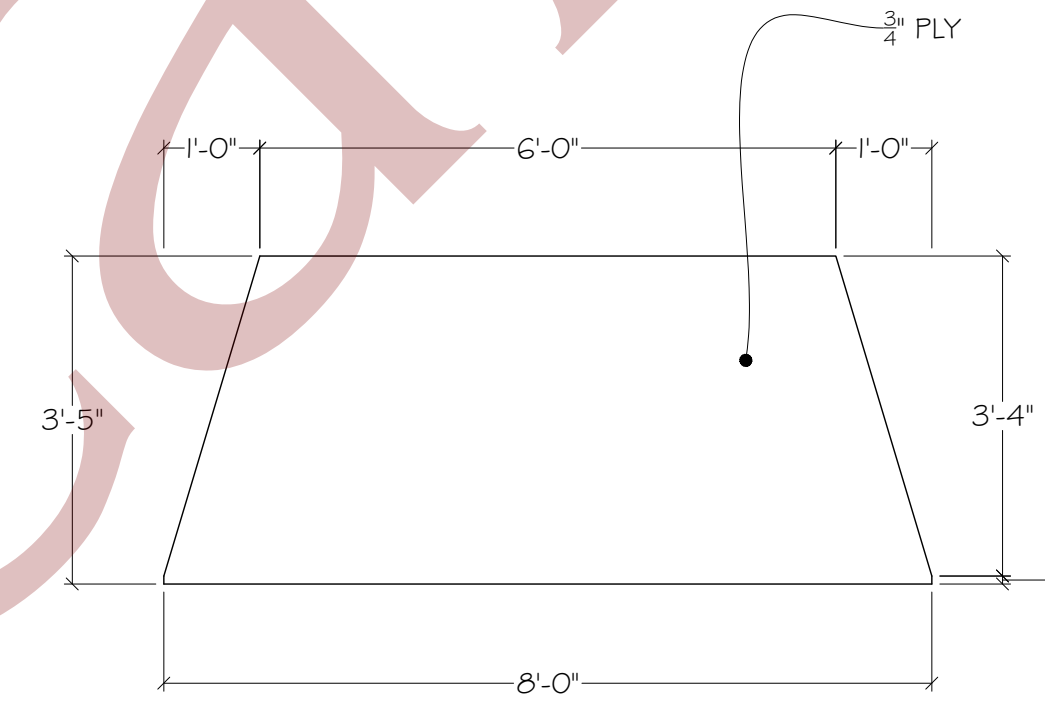
SIDE VIEW - LAYOUT
SHAKESPEARE STAGE



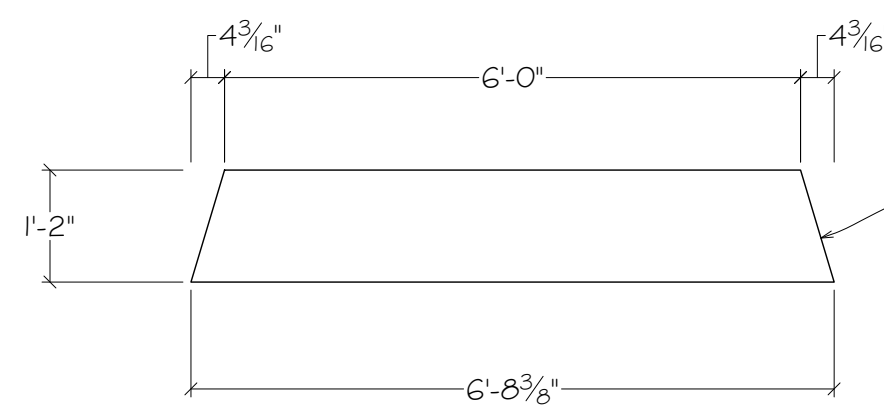
TOP VIEW - LAYOUT
SHAKESPEARE STAGE



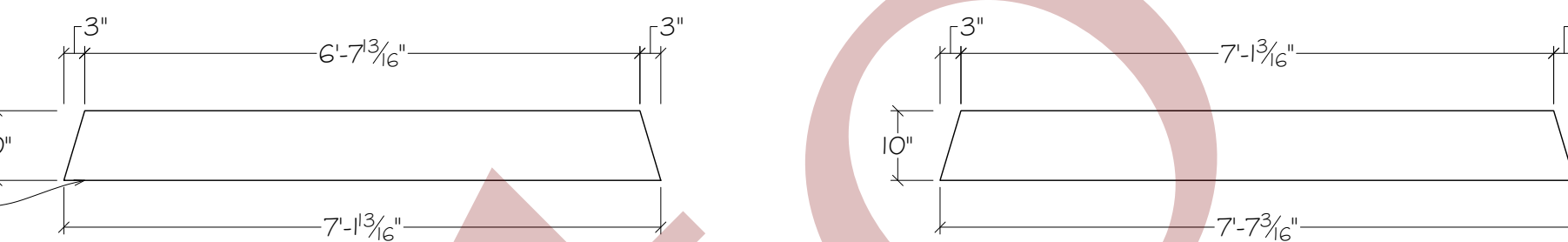
FRONT VIEW
SHAKESPEARE STAGE



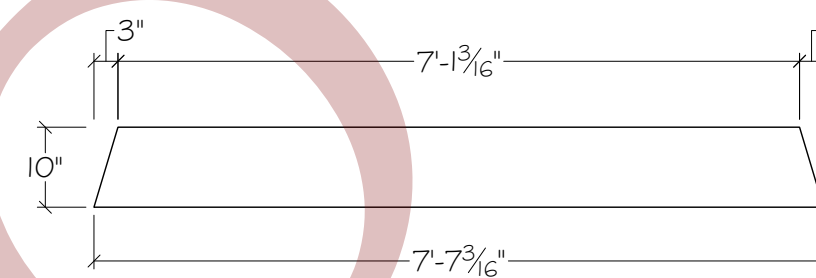
TOP VIEW - LID
SHAKESPEARE STAGE
PLATFORM



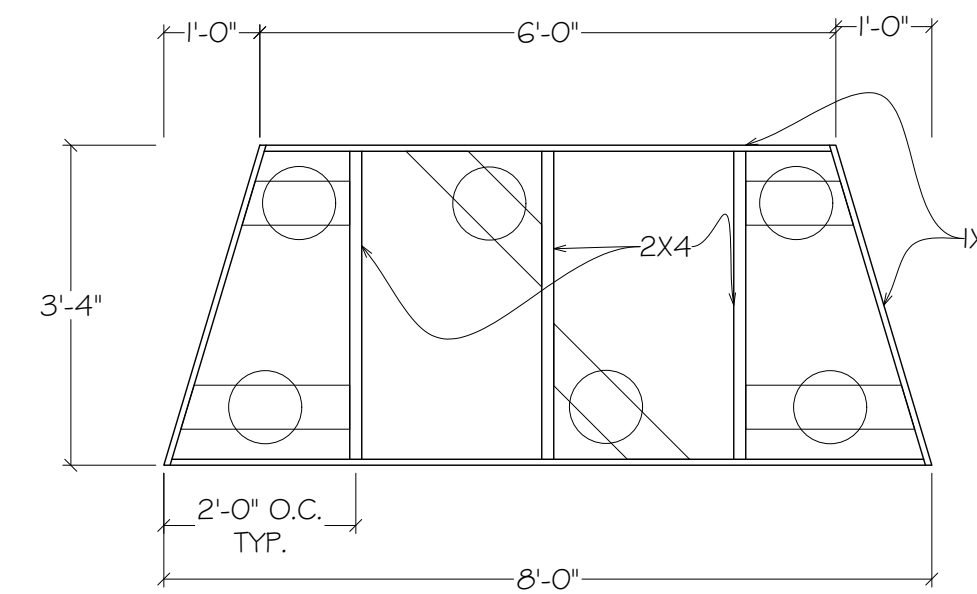
STAIR TREAD A
SHAKESPEARE STAGE



STAIR TREAD B
SHAKESPEARE STAGE

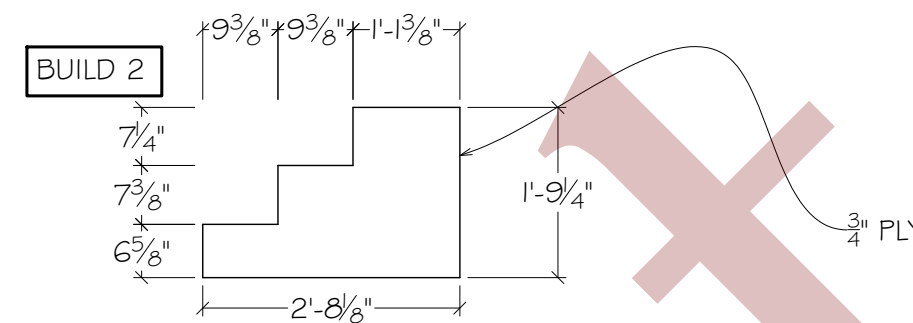


STAIR TREAD C
SHAKESPEARE STAGE

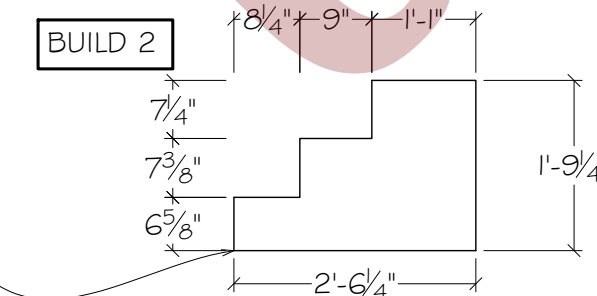


TOP VIEW - FRAME
SHAKESPEARE STAGE
PLATFORM

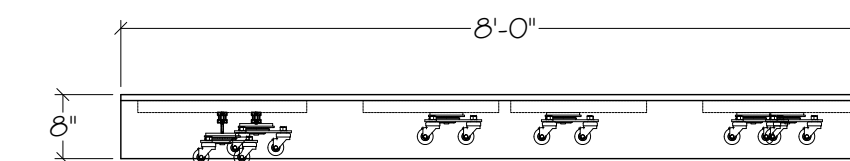
NOTES:
1. ADD
PNEUMATIC
CASTERS



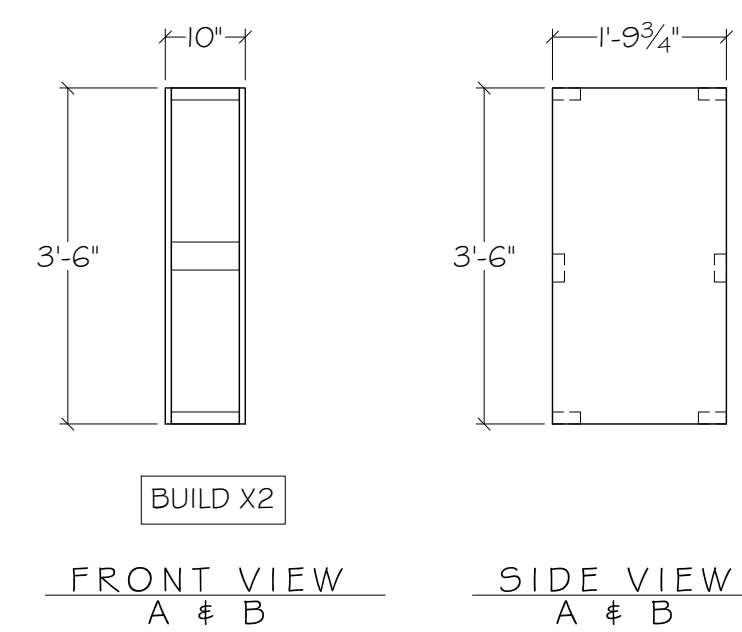
STAIR GATE A
SHAKESPEARE STAGE



STAIR GATE B
SHAKESPEARE STAGE



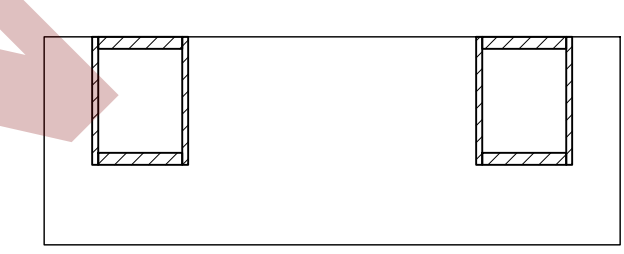
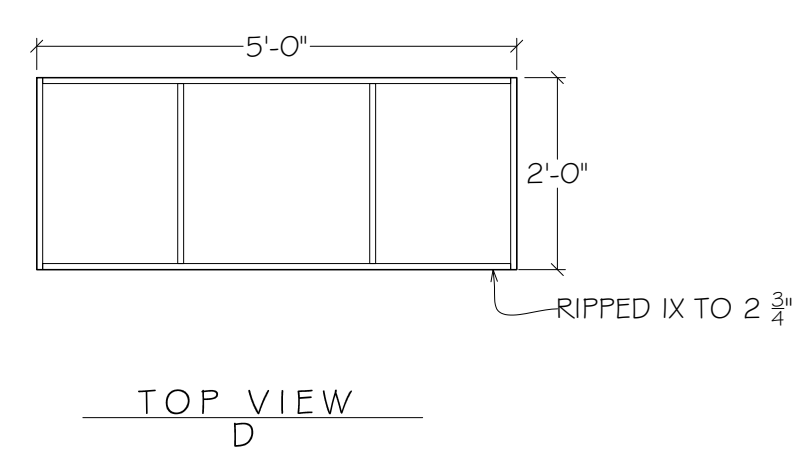
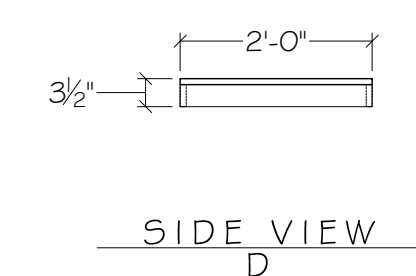
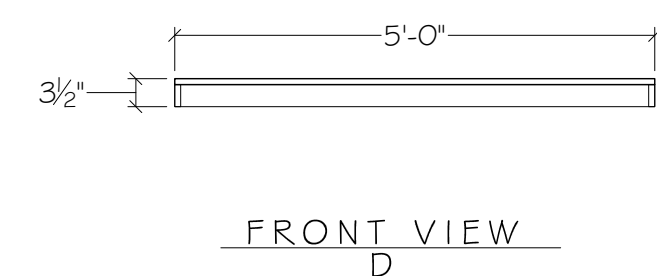
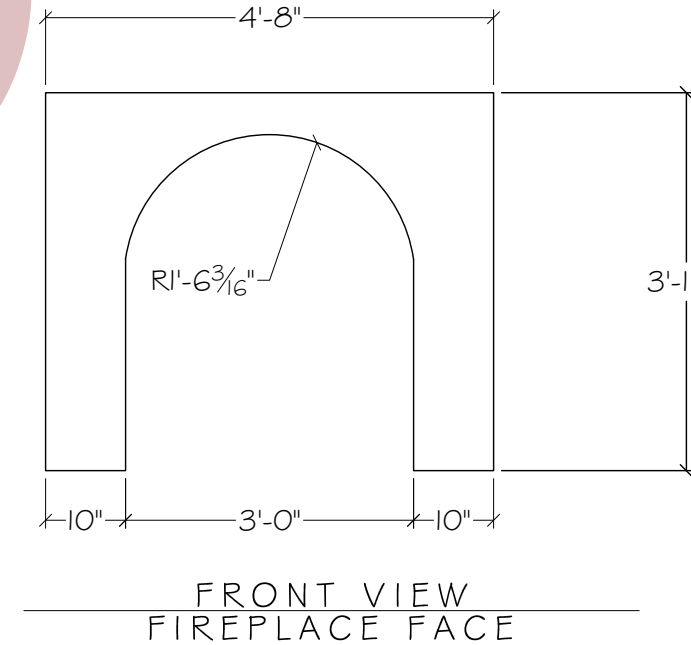
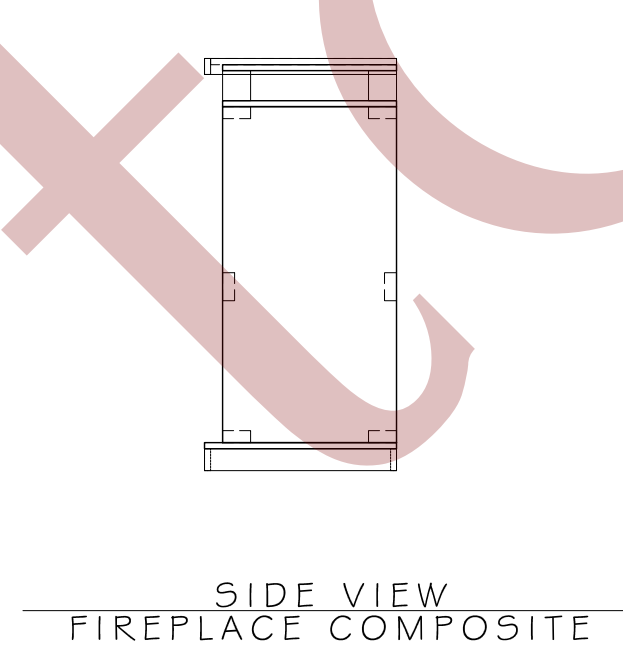
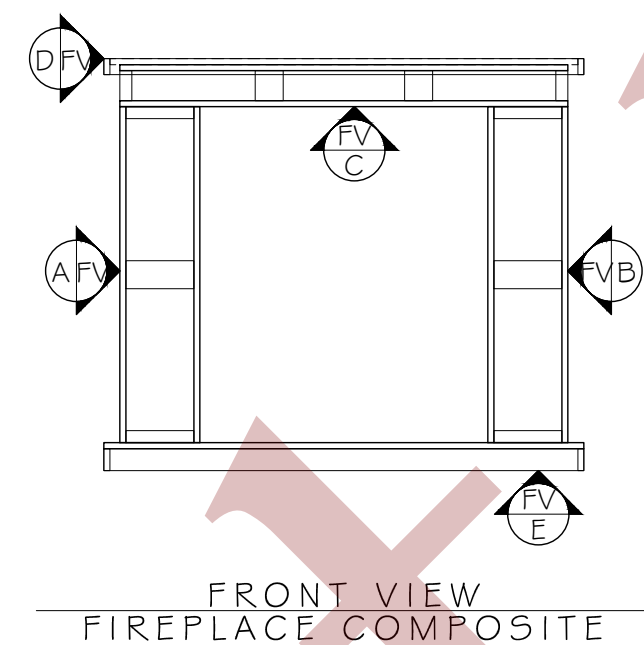
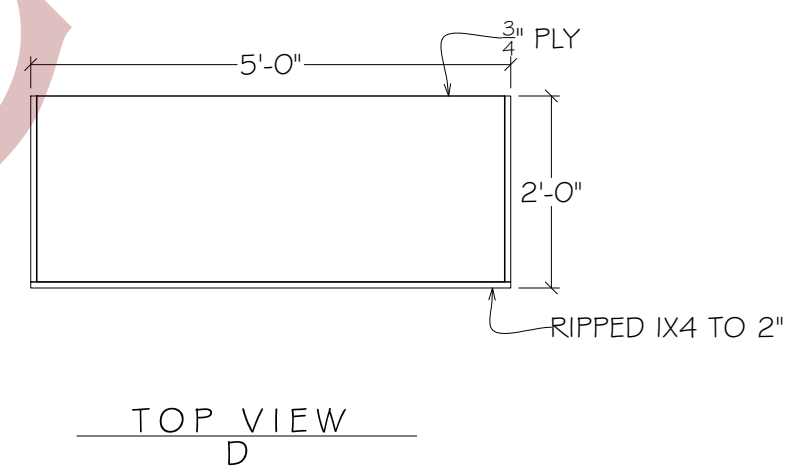
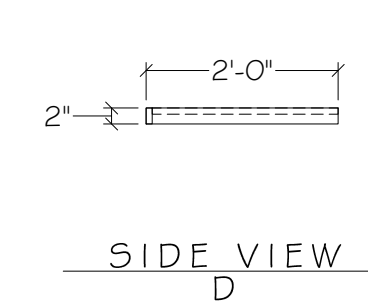
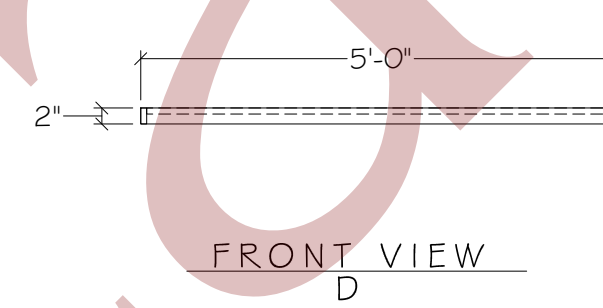
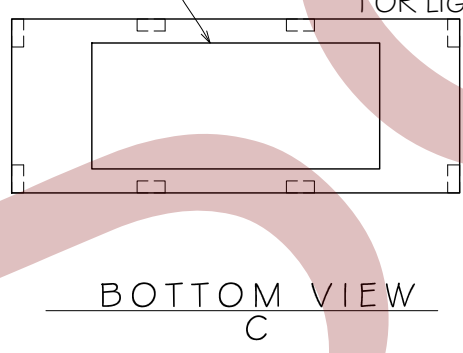
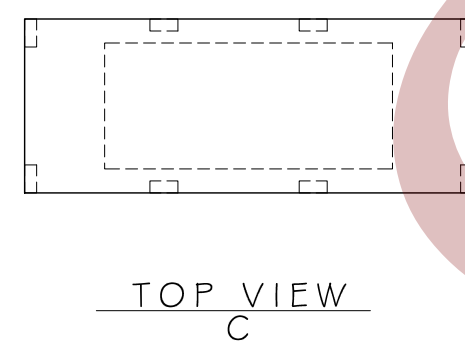
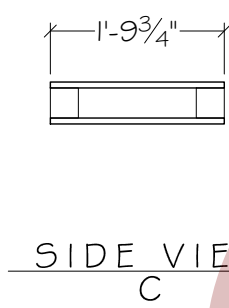
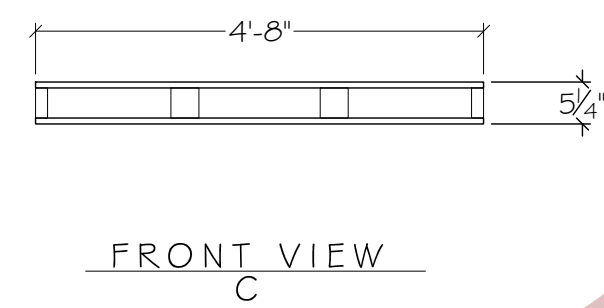
FRONT VIEW
SHAKESPEARE STAGE
PLATFORM

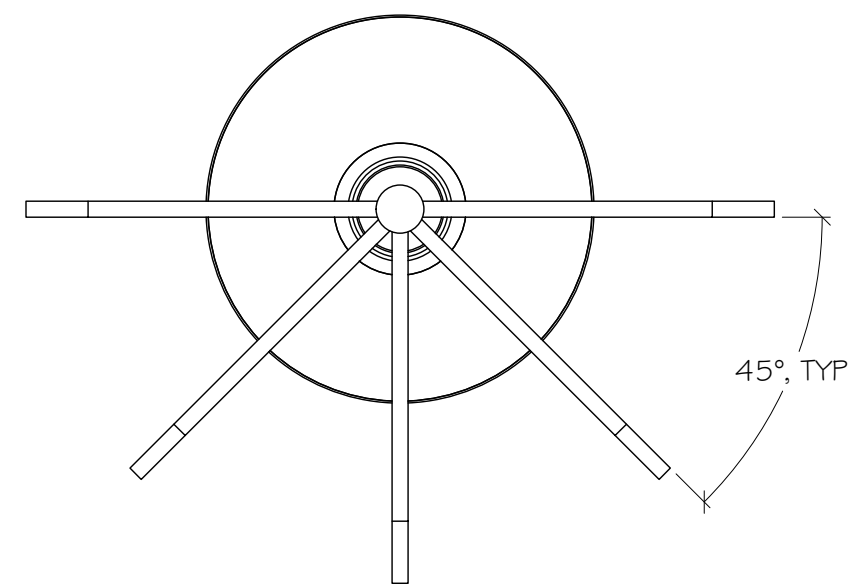


BUILD X2

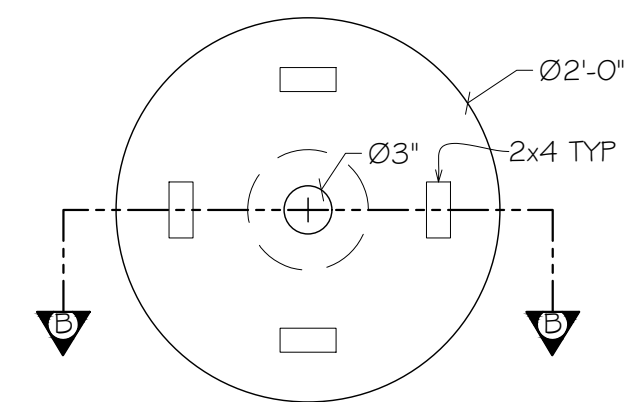


- NOTES:
- BUILD WITH 3/4" PLYWOOD AND 2X4
 - FACE OPENINGS WITH 1/4" UTILITY PLY

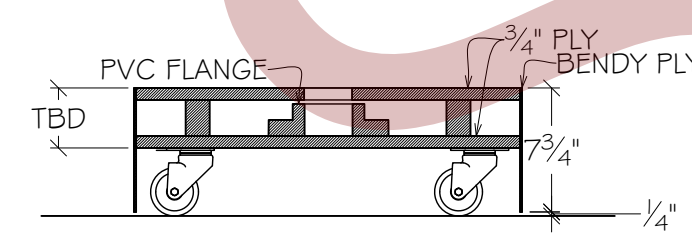




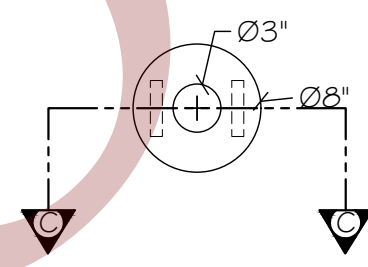
TOP VIEW
STREET SIGN



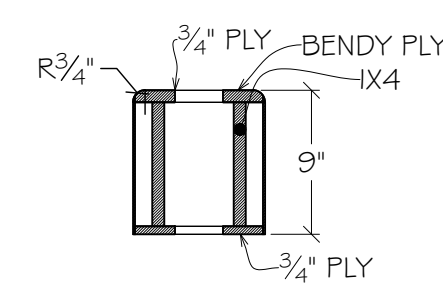
TOP VIEW
BASE



SECTION B-B
BASE



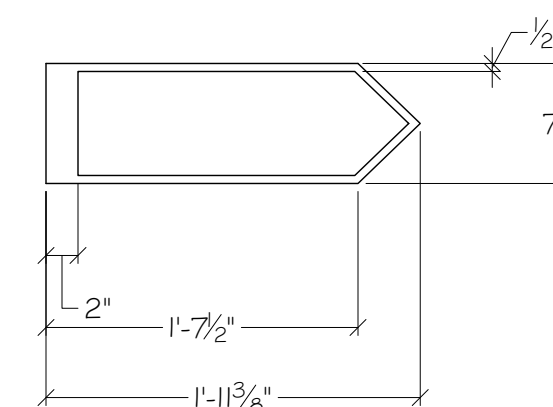
TOP VIEW
LAYER 1



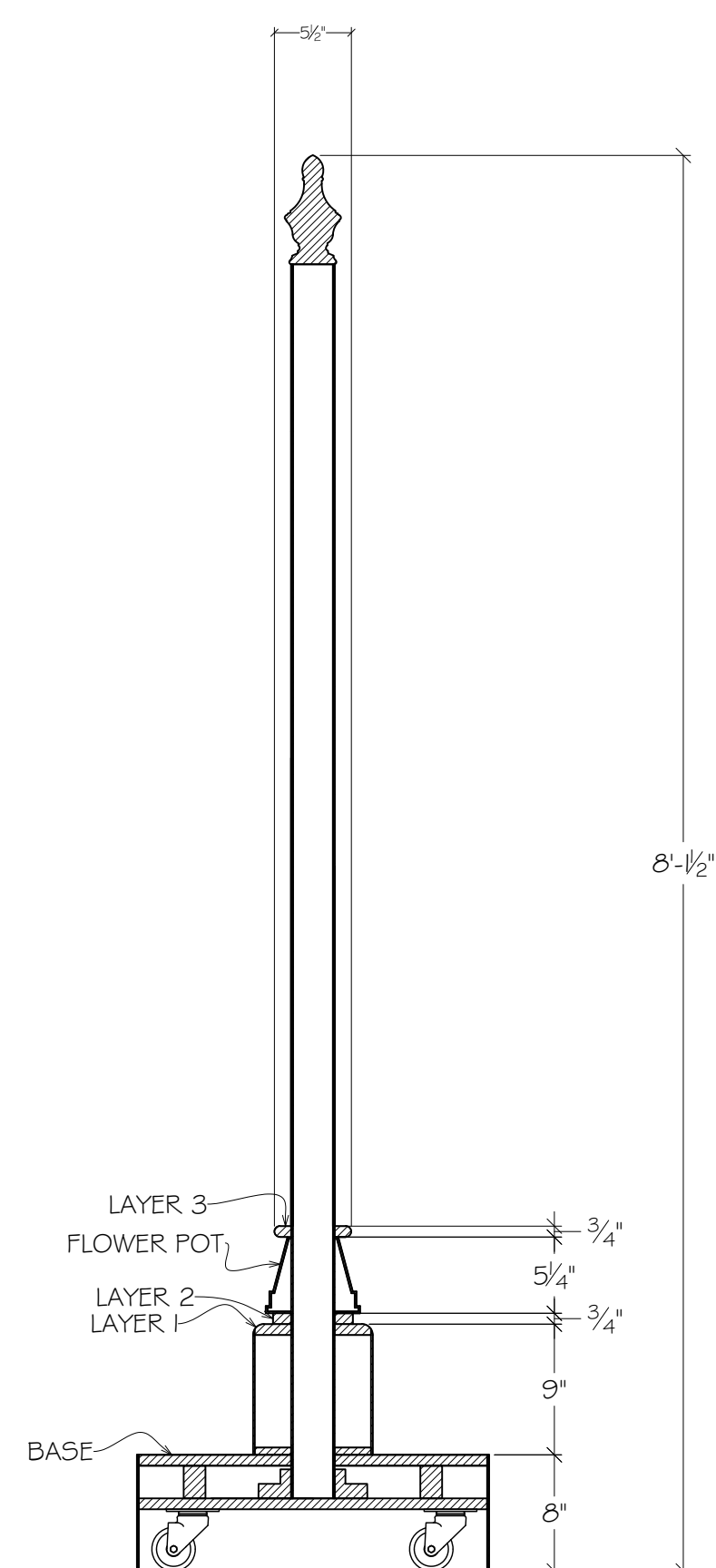
SECTION C-C
LAYER 1



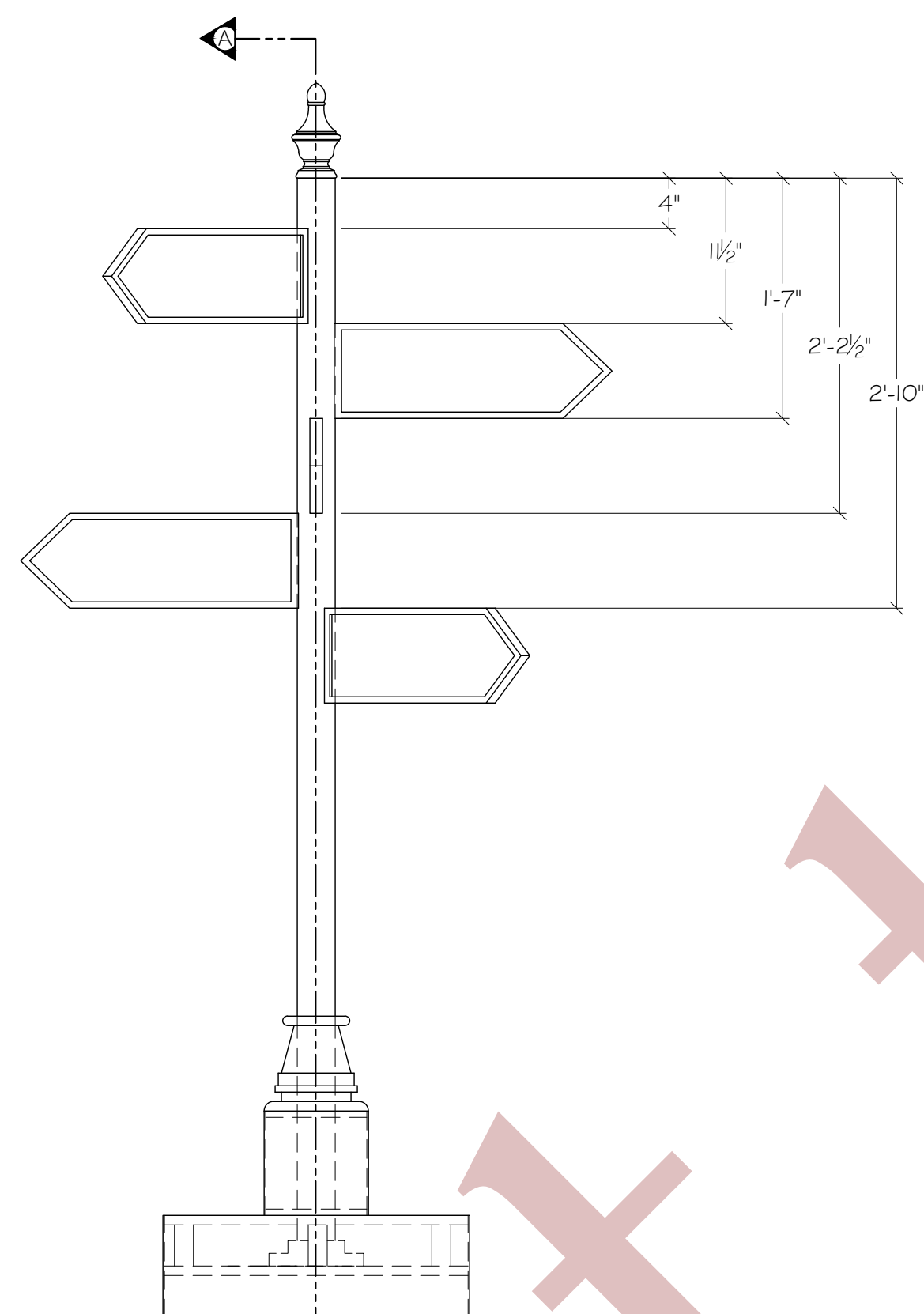
TOP VIEW
LAYER 1



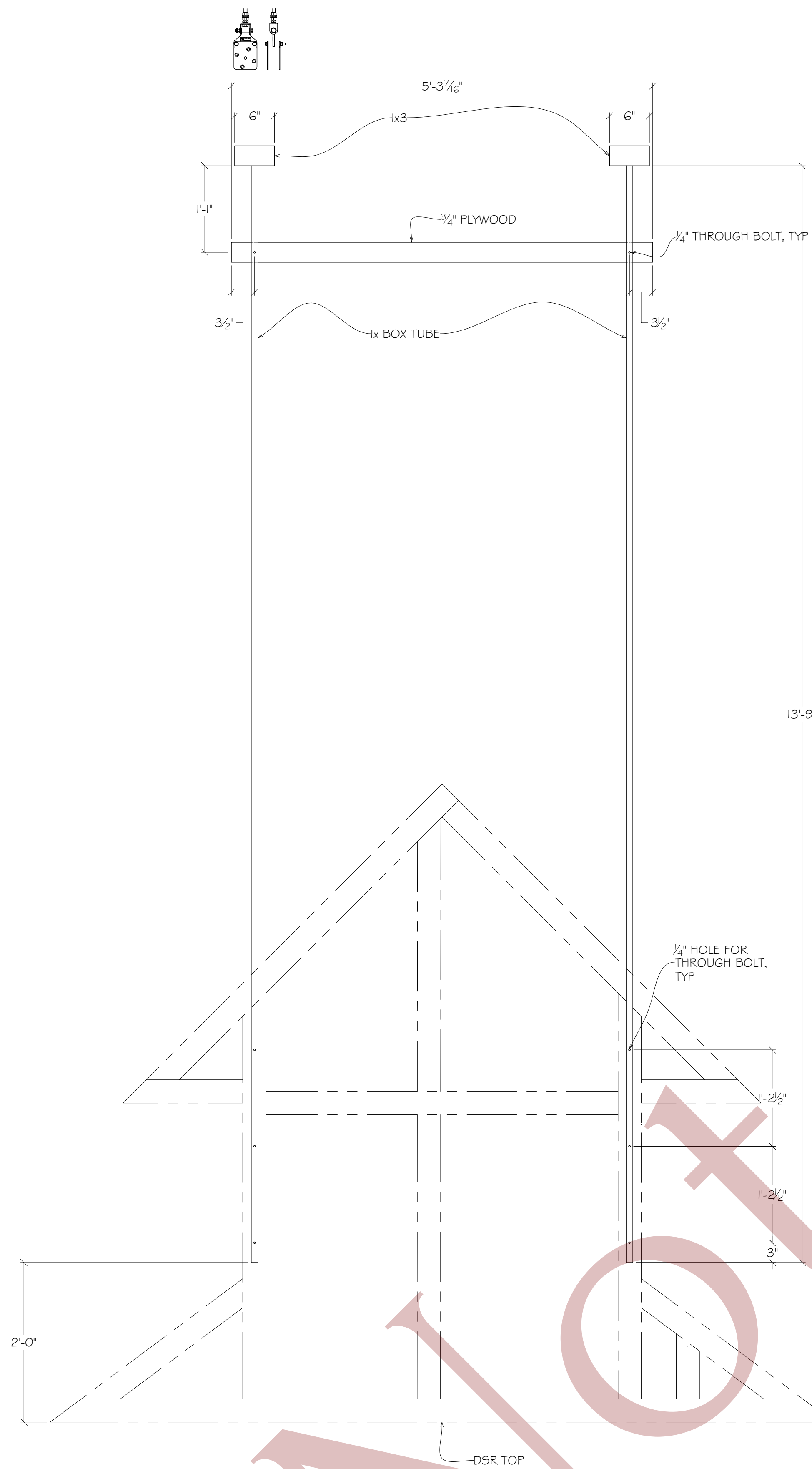
SECTION C-C
LAYER 1



SECTION A-A
STREET SIGN



FRONT VIEW
STREET SIGN



FRONT VIEW
DSR TRACKING HARDWARE



FRONT VIEW
DSL TRACKING HARDWARE

Indiana University Department of Theatre and Dance			
SOMETHING ROTTEN! TRACKING HARDWARE			
DESIGNER: V. NEDVIGA	DATE: 4/6/23	15	
DIRECTOR: D.J. GRAY	REV. DATE:		
DRAWN BY: RACHEL SHEARON	1" = 1'-0"		