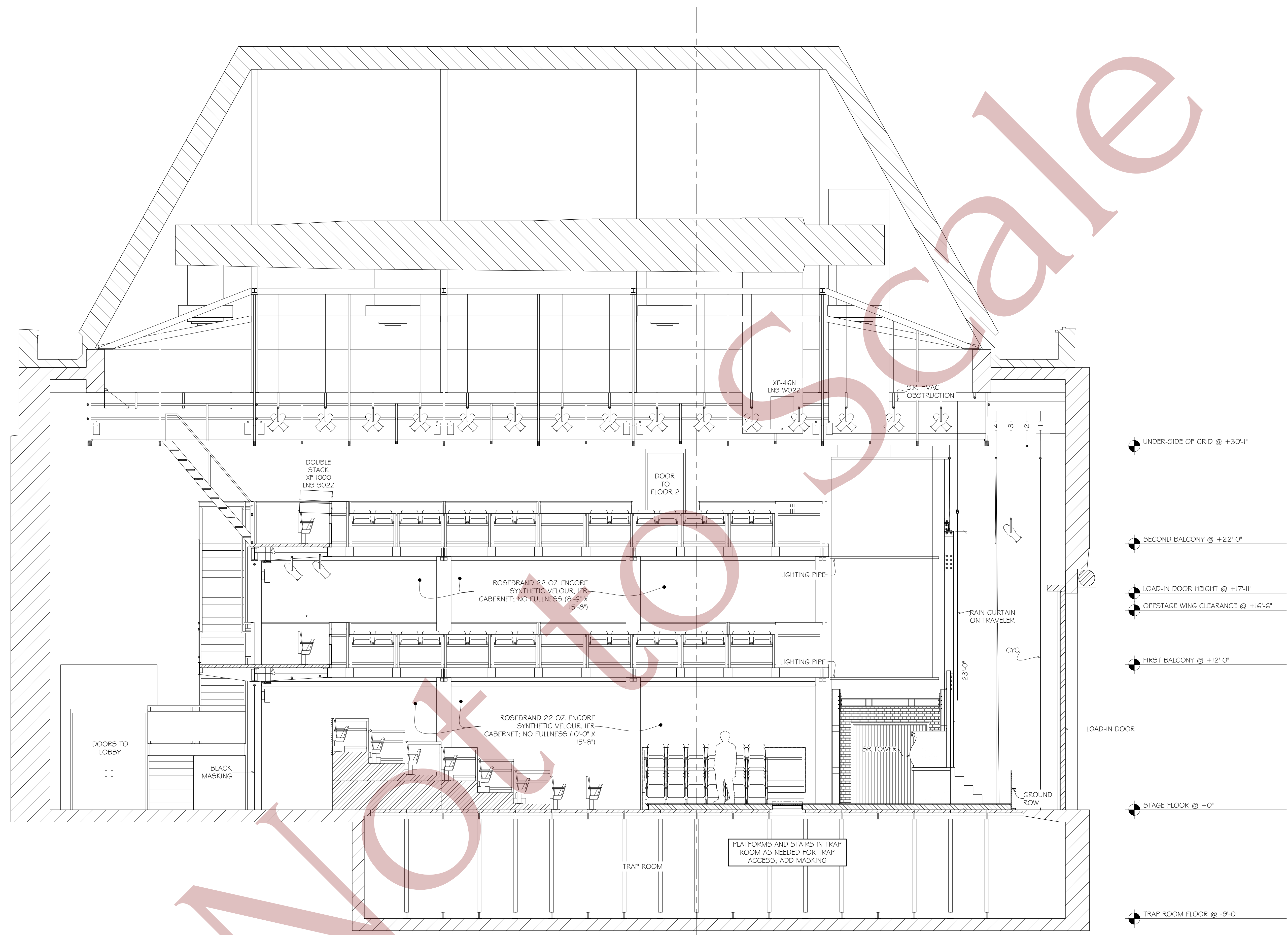


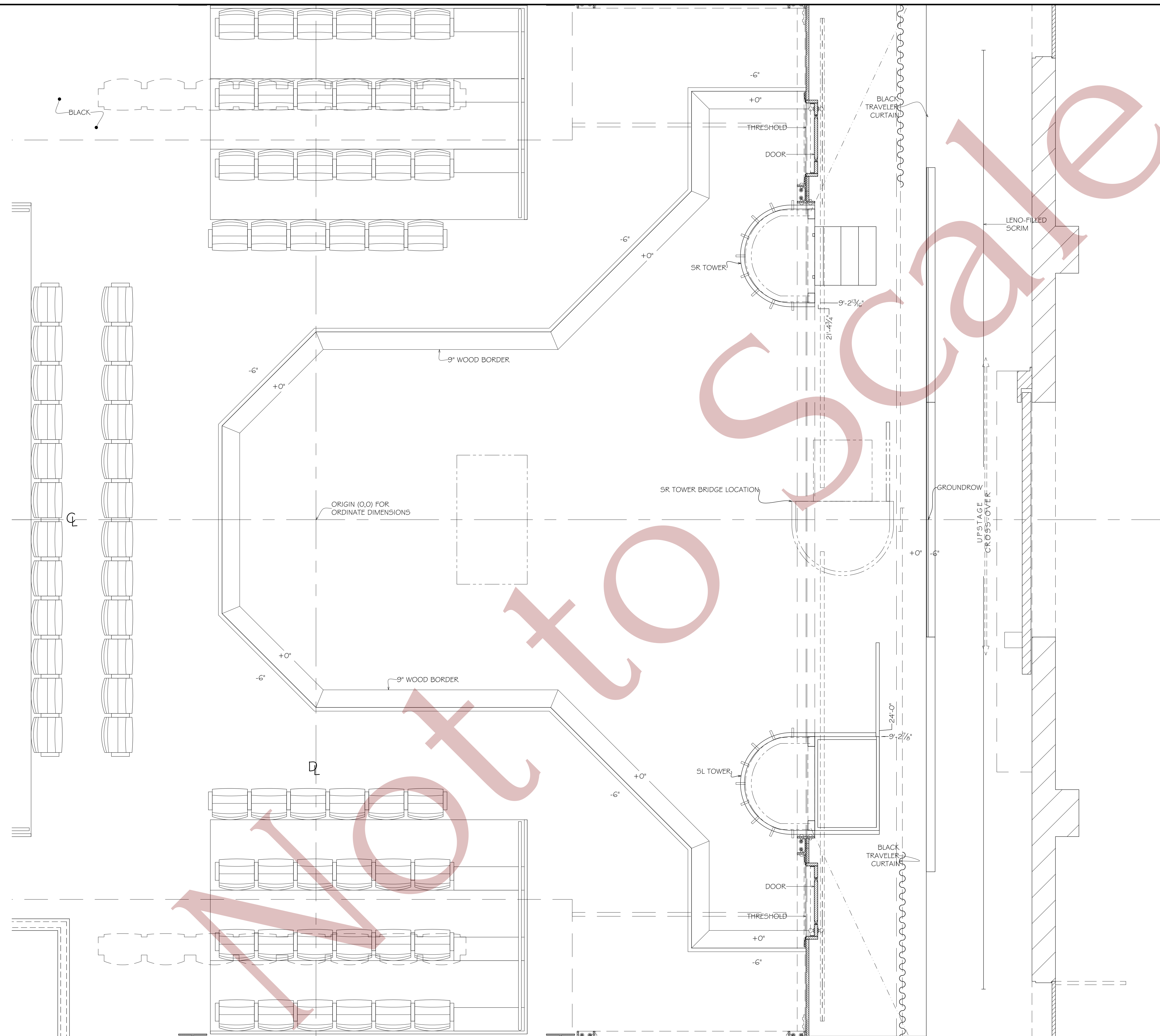
- KEY:
- A SR PLATFORM A
  - B SL PLATFORM A
  - C MIDDLE PYRAMID PLATFORM
  - D SR PLATFORM B
  - E SL PLATFORM B
  - F ROLLING WALL
  - G COLUMNS
  - H GROUND ROW
  - J PYRAMID BACKING
  - K CUBES
  - L JOSEPH COUCH
  - M BEACH BALLS
  - N SHEEP

Indiana University Summer Theatre	
THE 39 STEPS GROUNDPLAN	
DESIGNER: RACHEL ROSE BURKE	DATE: 5/22/22
DIRECTOR: JENNY MCKNIGHT	REV DATE:
DRAWN BY: RACHEL T. SHEARON	1/4" = 1'-0"



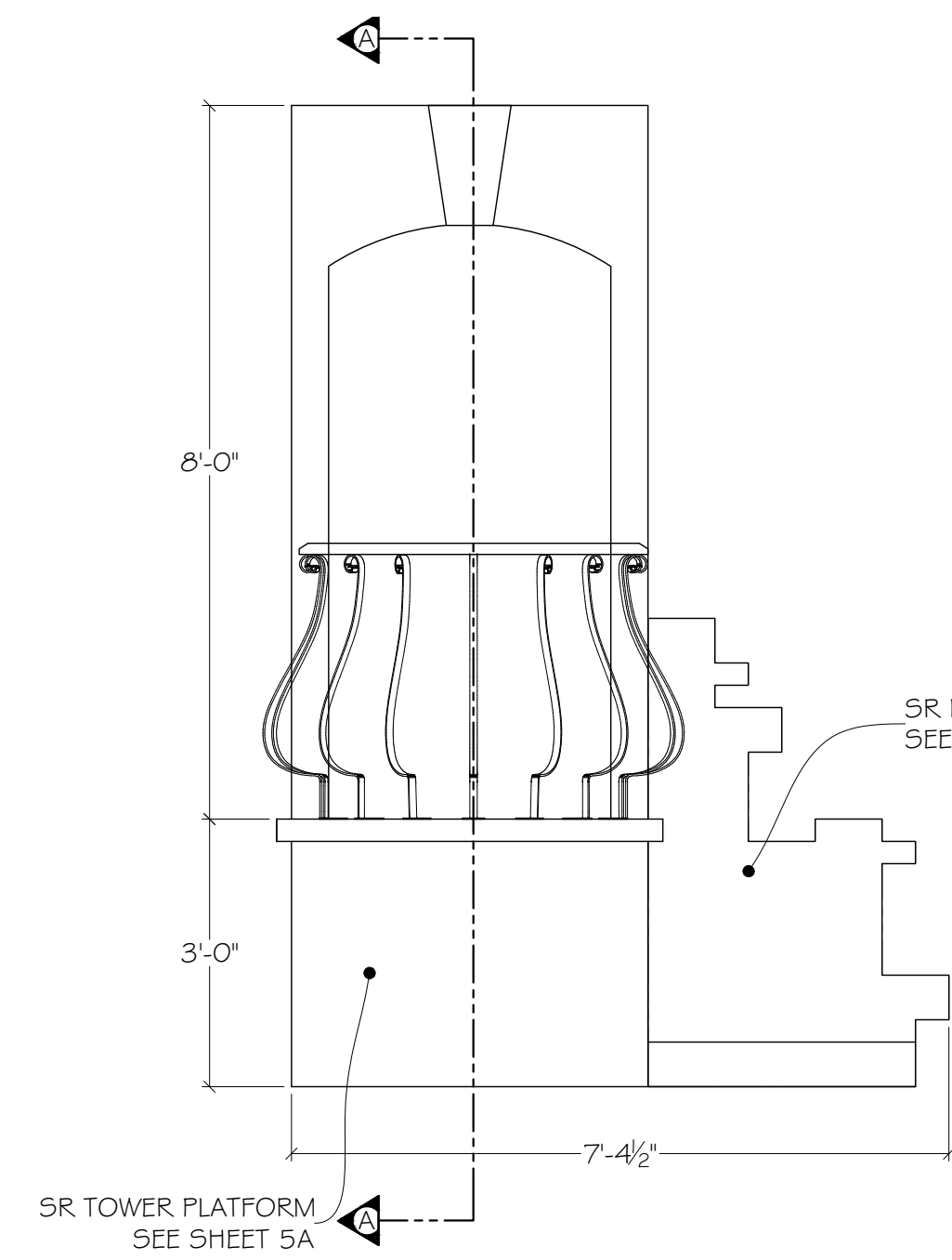
- UNDER-SIDE OF GRID @ +30'-1"
- SECOND BALCONY @ +22'-0"
- LOAD-IN DOOR HEIGHT @ +17'-11"
- OFFSTAGE WING CLEARANCE @ +16'-6"
- FIRST BALCONY @ +12'-0"
- STAGE FLOOR @ +0"
- TRAP ROOM FLOOR @ -9'-0"

Indiana University Summer Theatre			
THE 39 STEPS CENTERLINE SECTION			
	DESIGNER: RACHEL ROSE BURKE	DATE: 5/22/22	2
	DIRECTOR: JENNY MCKNIGHT	REV DATE:	
	DRAWN BY: RACHEL T. SHEARON	1/4" = 1'-0"	

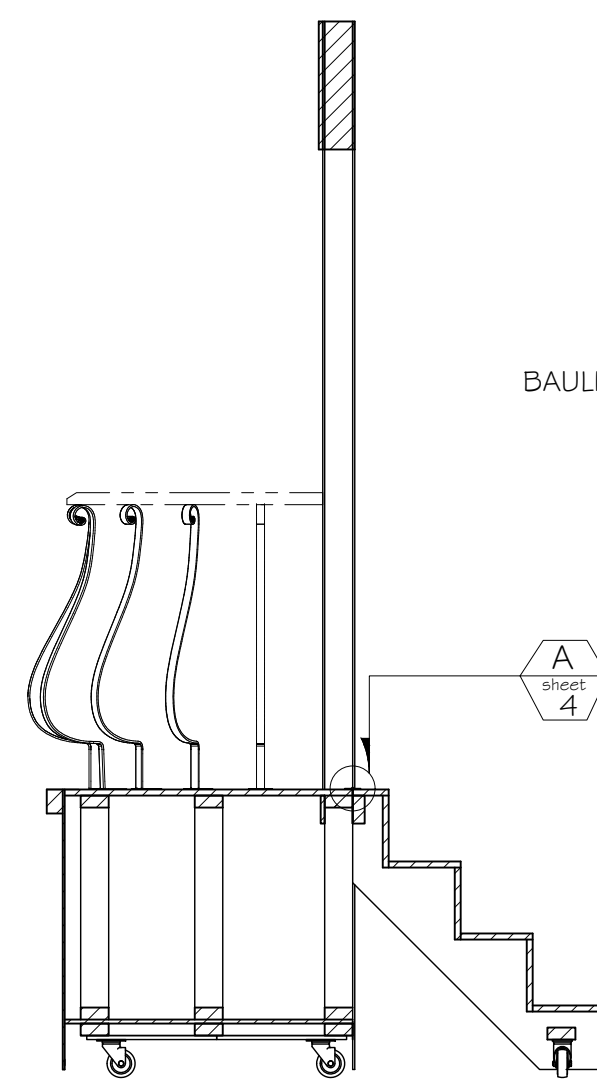


Indiana University Summer Theatre		3
THE 39 STEPS DECK LAYOUT		
DESIGNER: RACHEL ROSE BURKE	DATE: 5/22/22	
DIRECTOR: JENNY MCKNIGHT	REV DATE:	
DRAWN BY: RACHEL T. SHEARON	1/2" = 1'-0"	

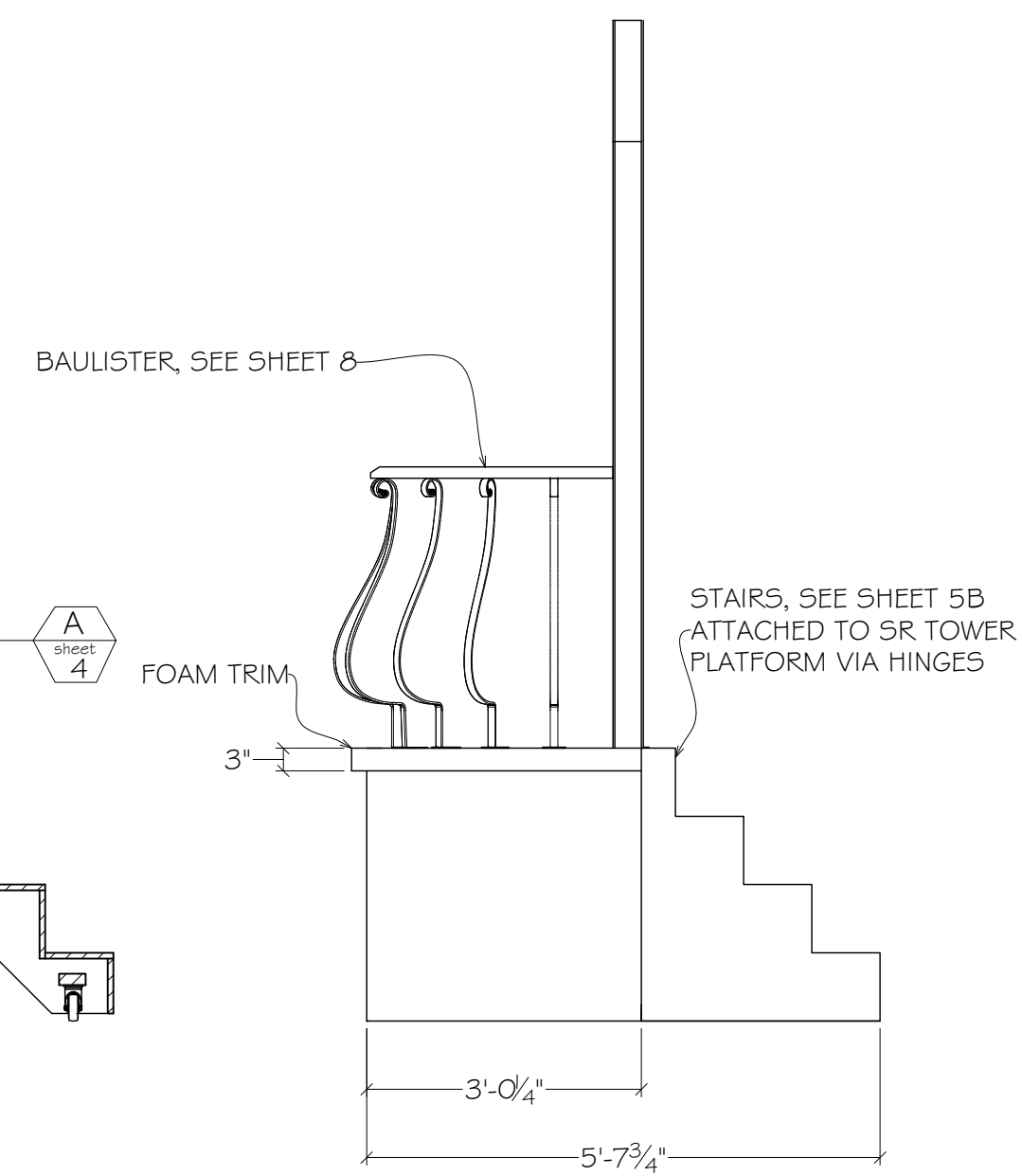




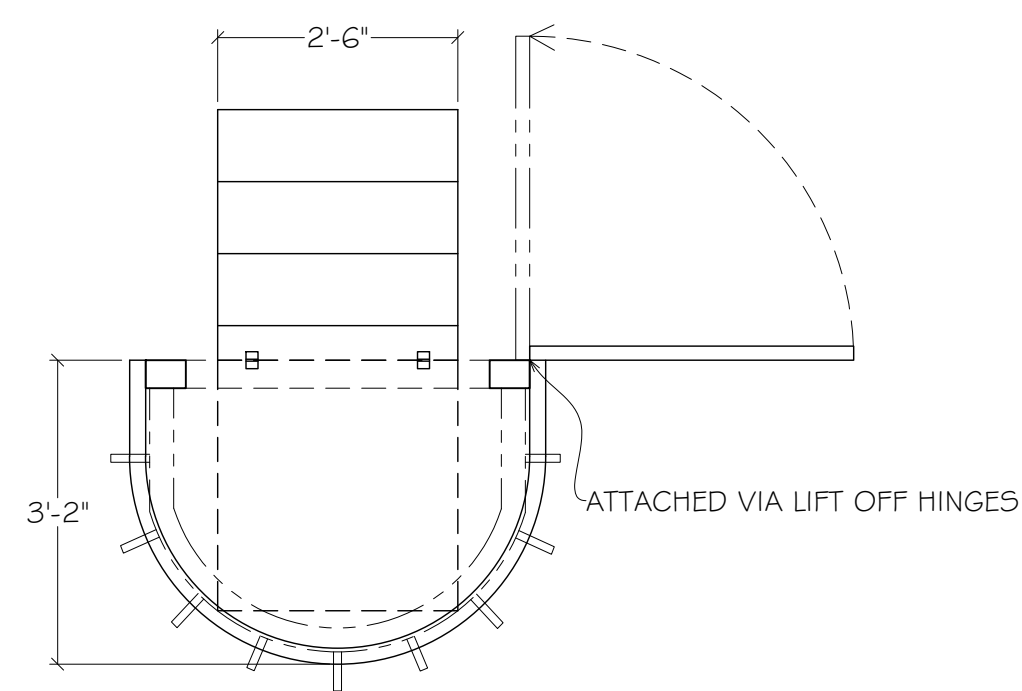
FRONT VIEW  
SR TOWER



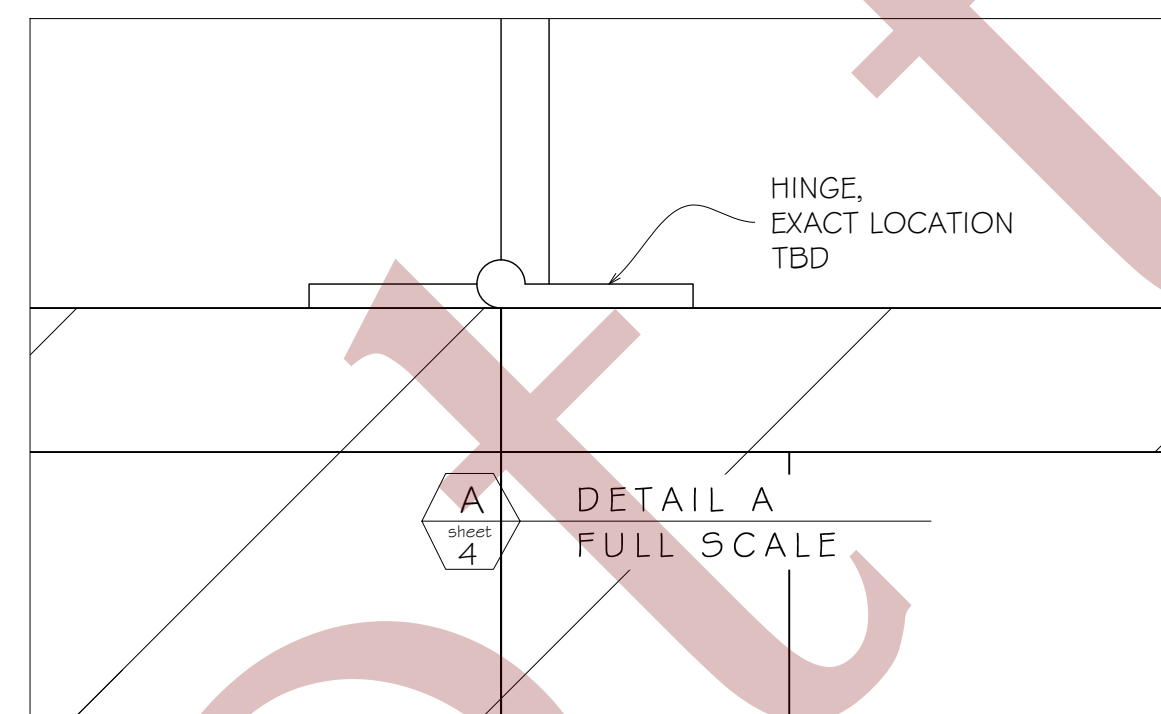
SECTION A-A  
SR TOWER



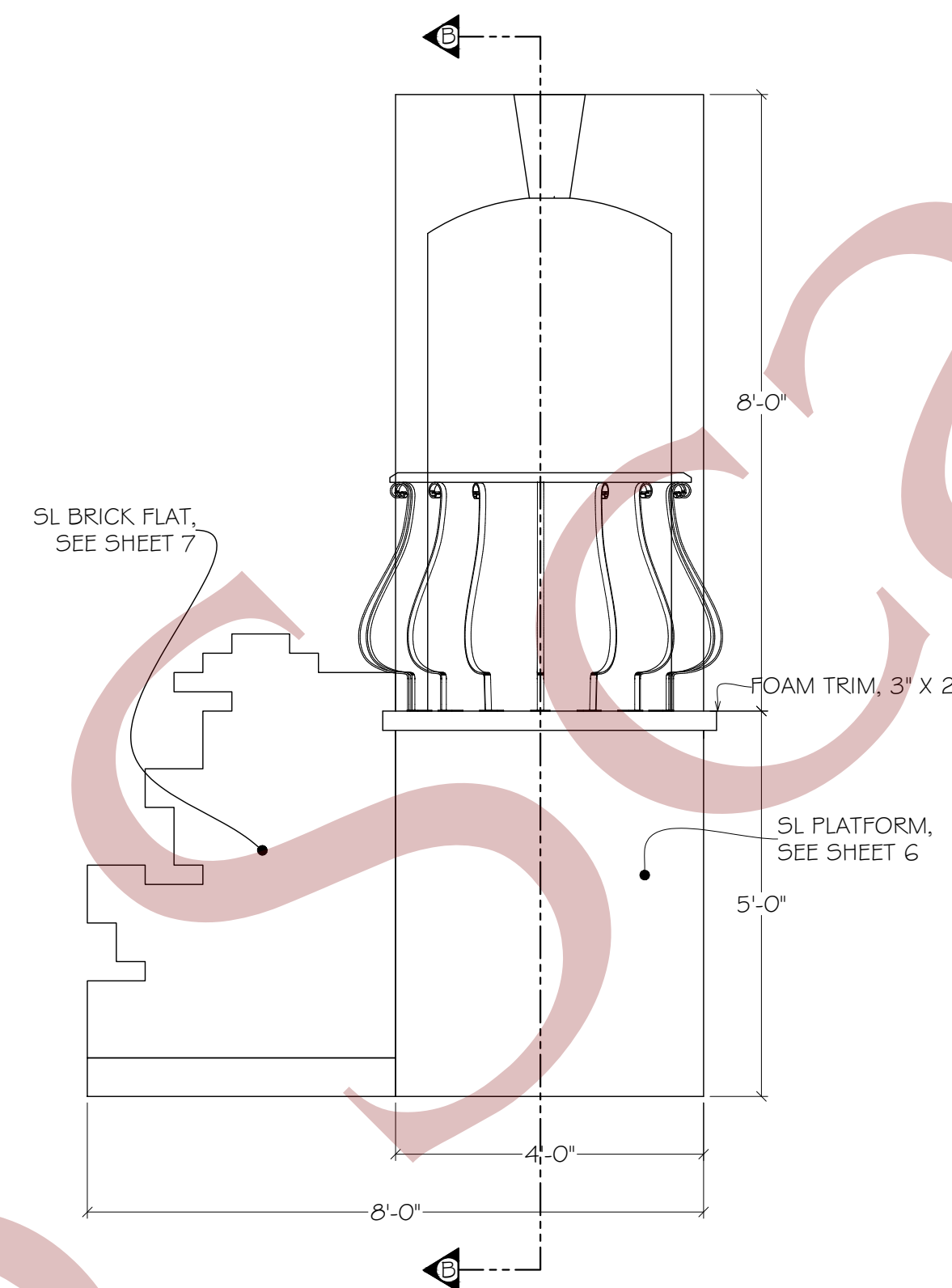
SIDE VIEW  
SR TOWER



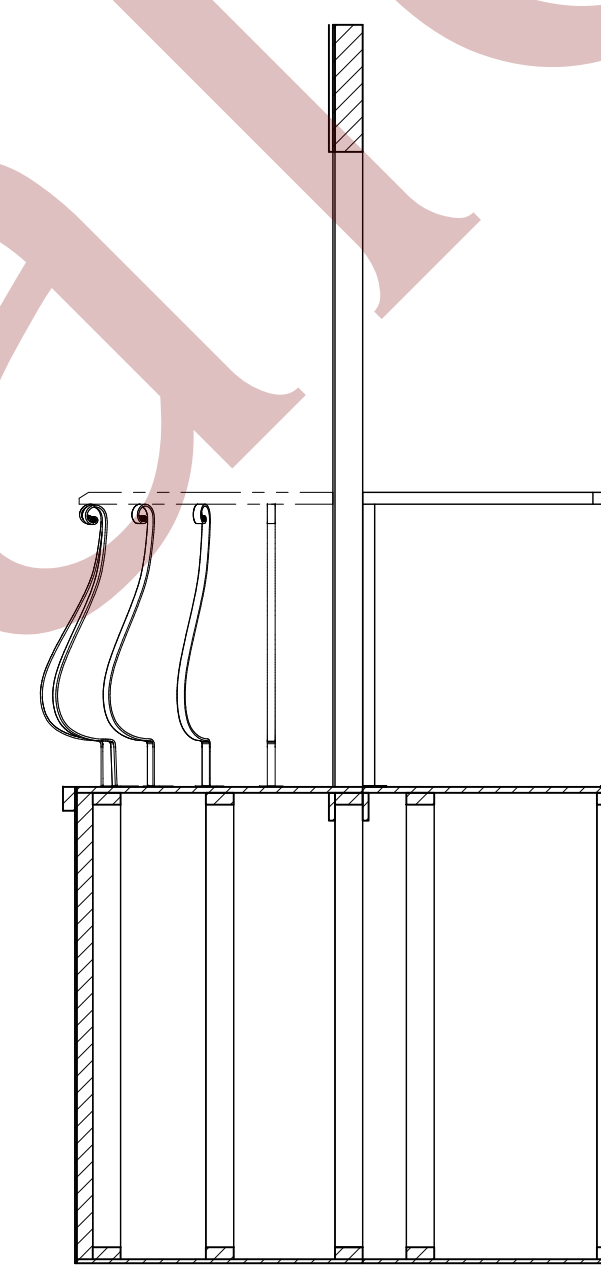
PLAN VIEW  
SR TOWER



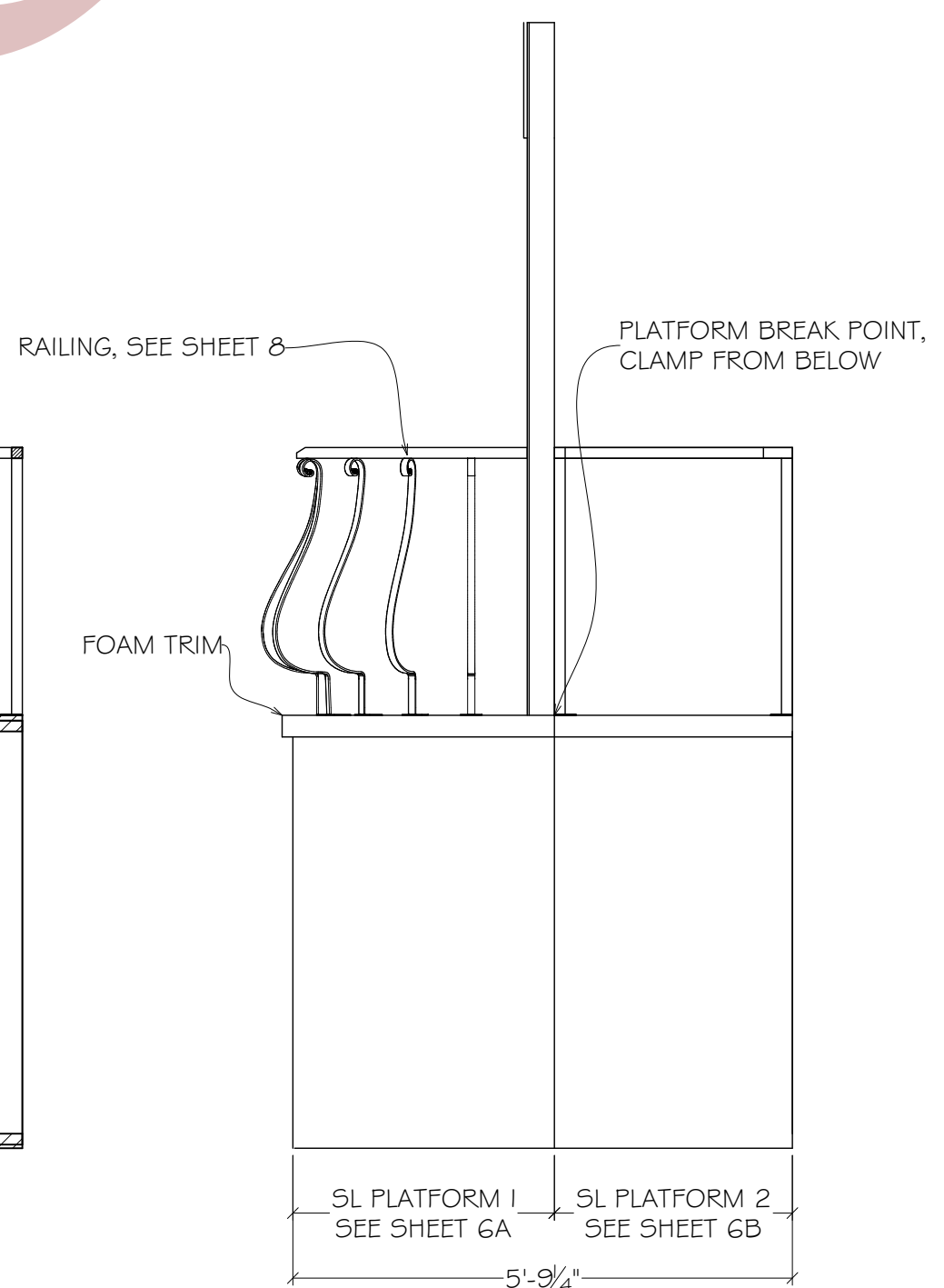
DETAIL A  
FULL SCALE



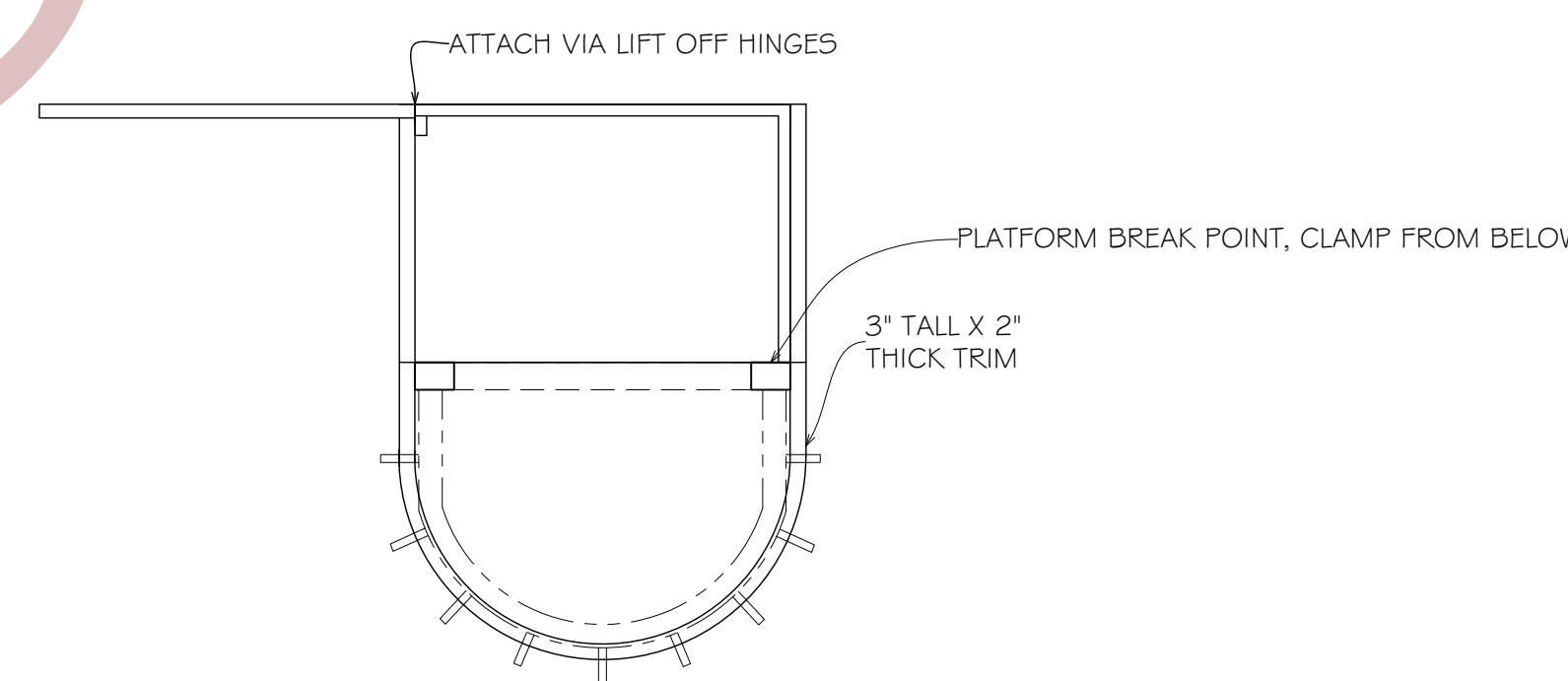
FRONT VIEW  
SL (TALL) TOWER



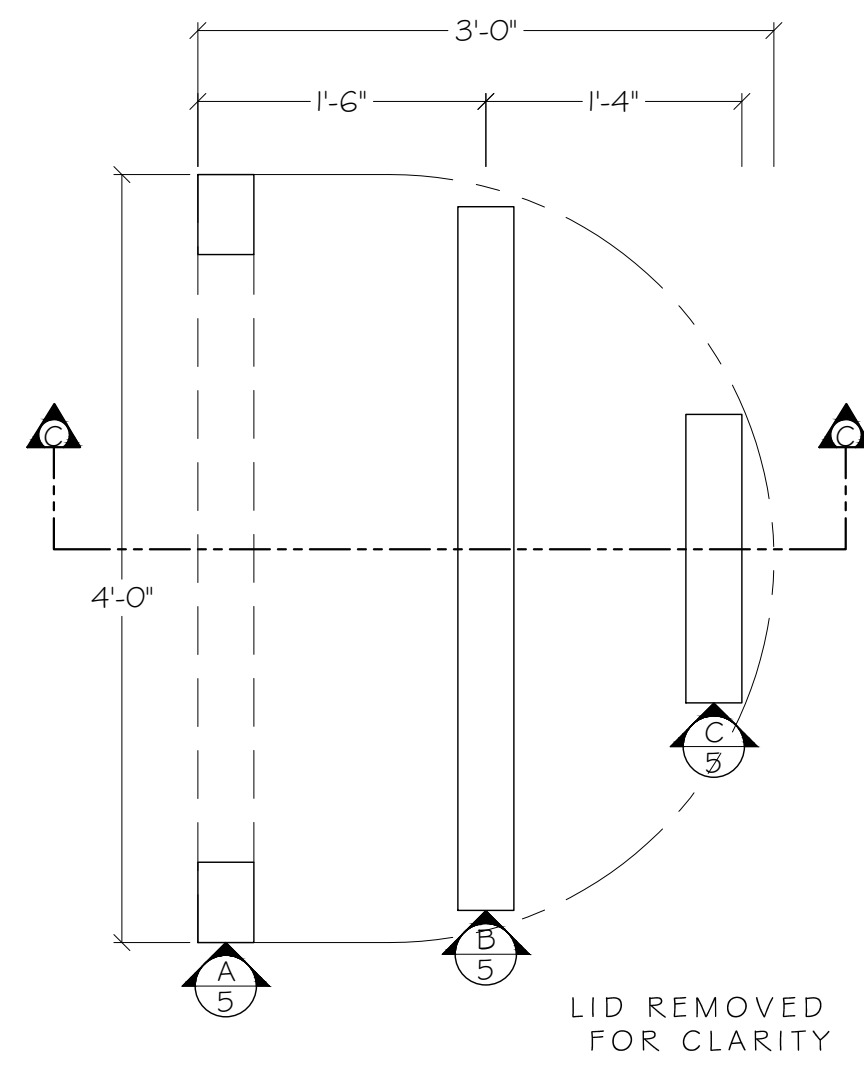
SECTION B-B  
SL (TALL) TOWER



SIDE VIEW  
SL (TALL) TOWER

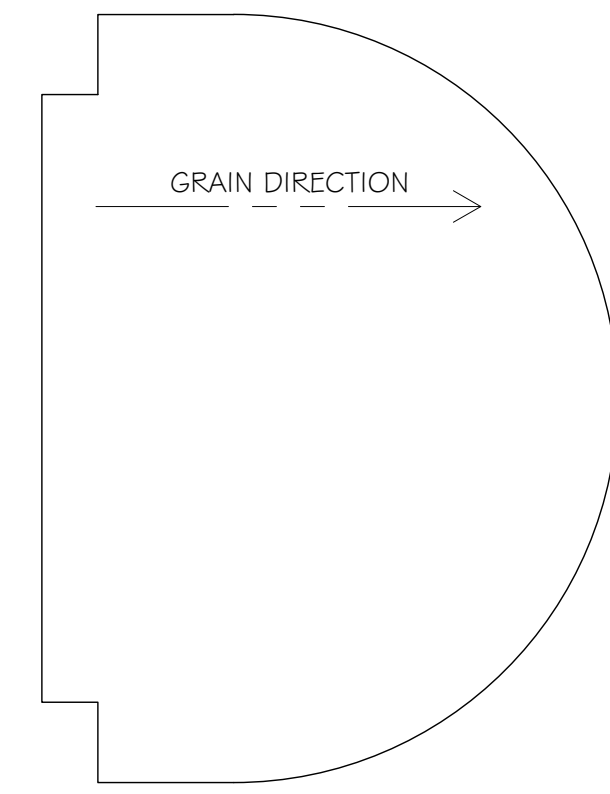


PLAN VIEW  
SL (TALL) TOWER

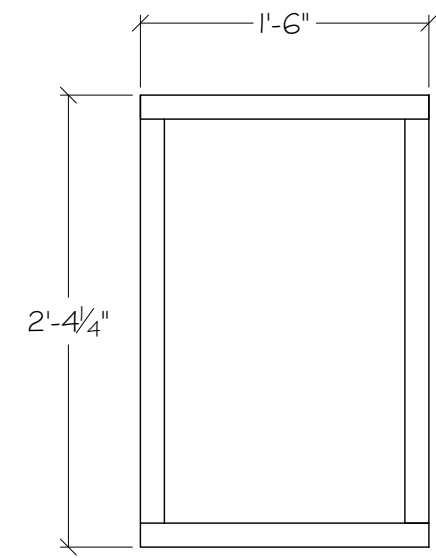


TOP VIEW  
SR PLATFORM

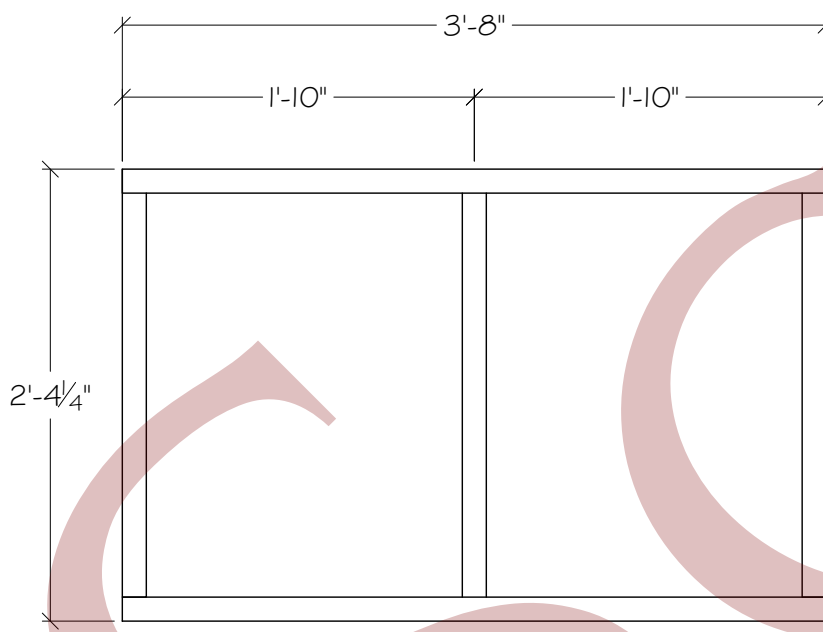
LID REMOVED  
FOR CLARITY



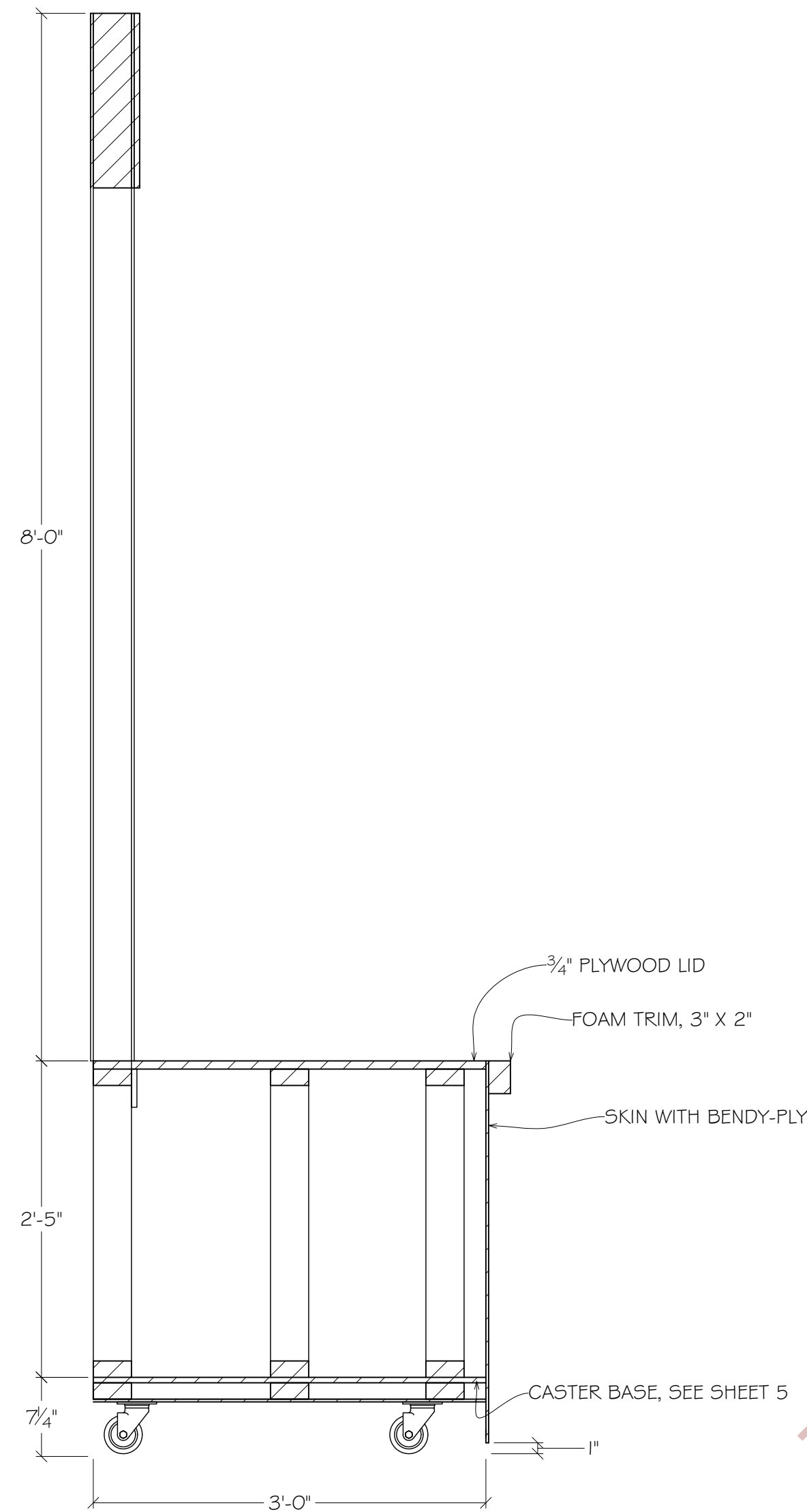
TOP VIEW  
SR PLATFORM - LID



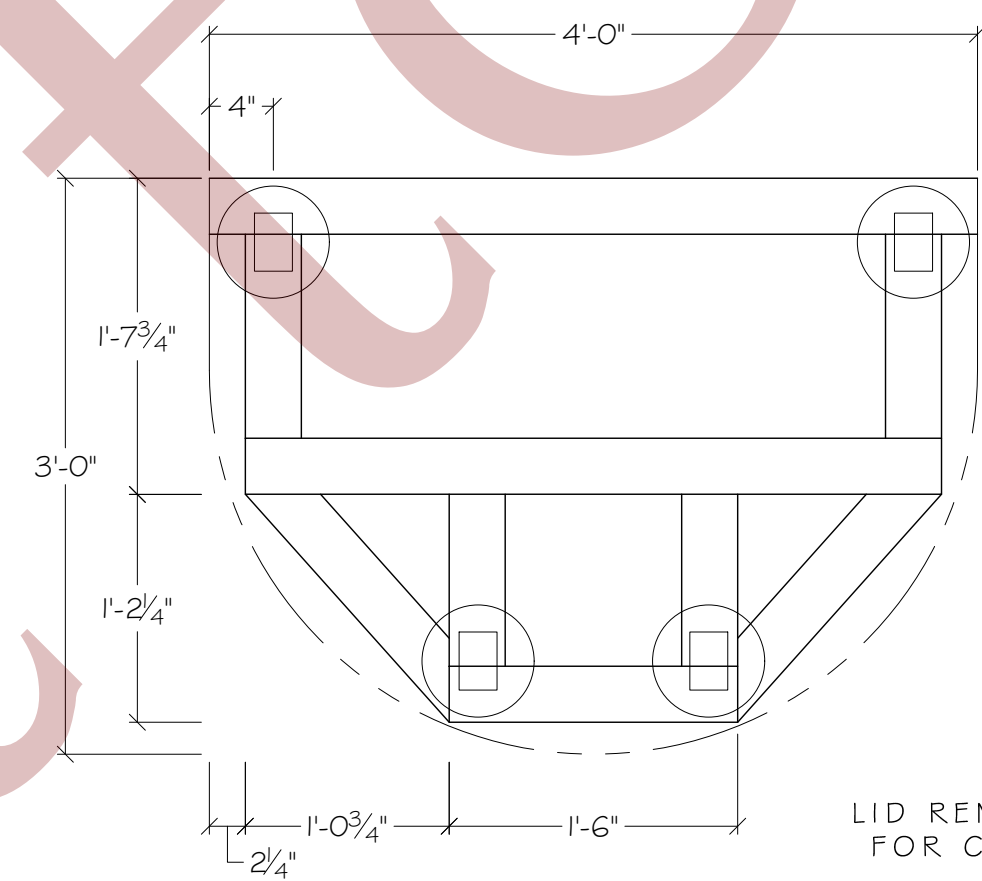
FRONT VIEW  
STUD WALL C



FRONT VIEW  
STUD WALL B

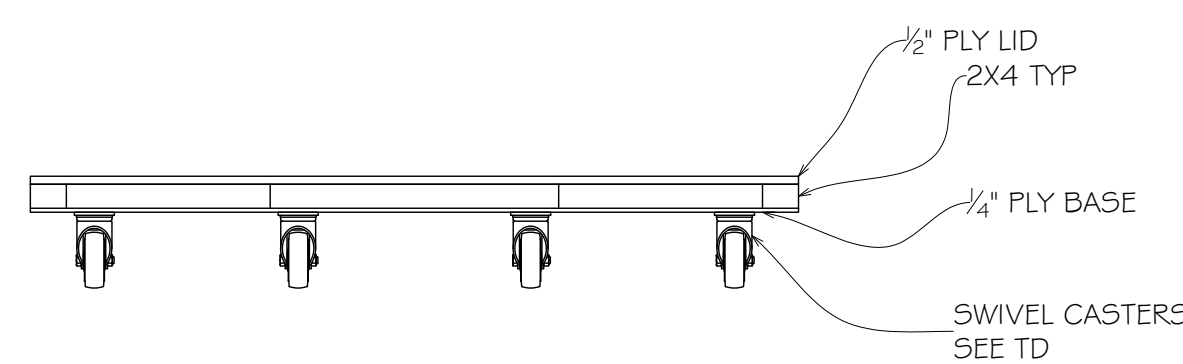


SECTION C-C  
SR PLATFORM

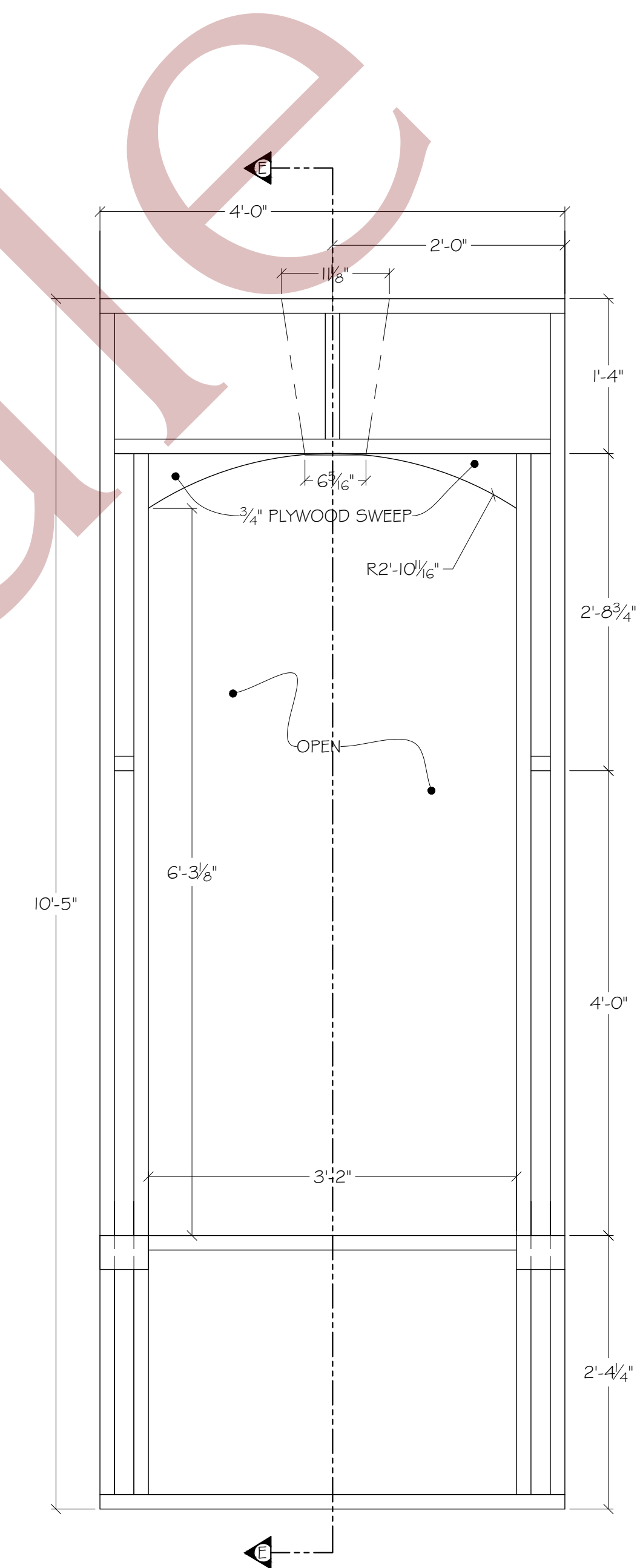


TOP VIEW  
SR CASTER BASE

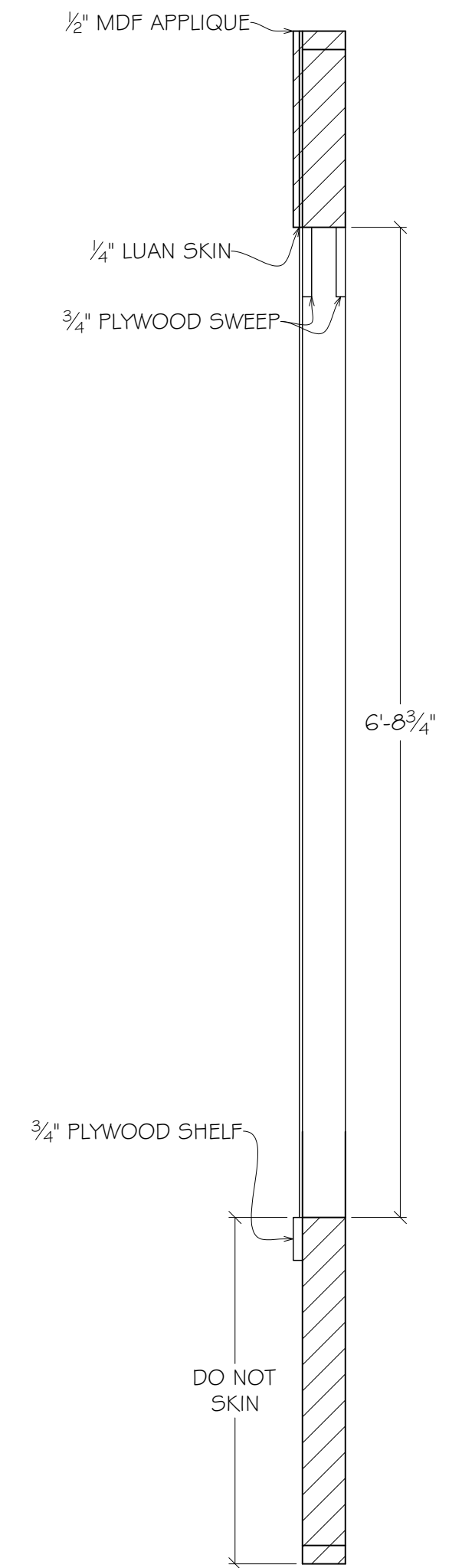
LID REMOVED  
FOR CLARITY



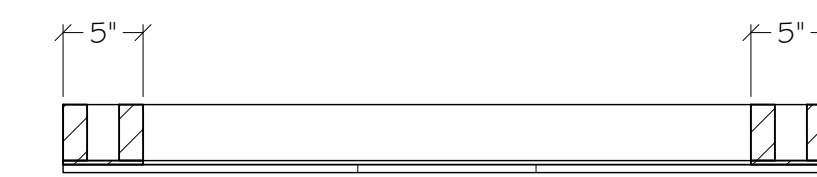
FRONT VIEW  
SR CASTER BASE



FRONT VIEW  
STUD WALL A



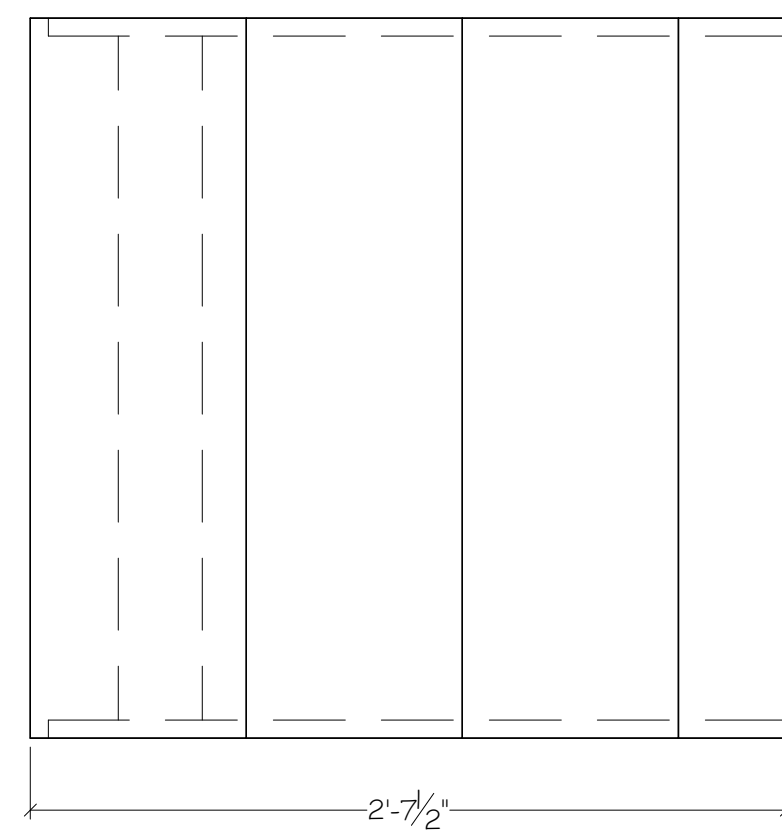
SECTION E-E  
STUD WALL A



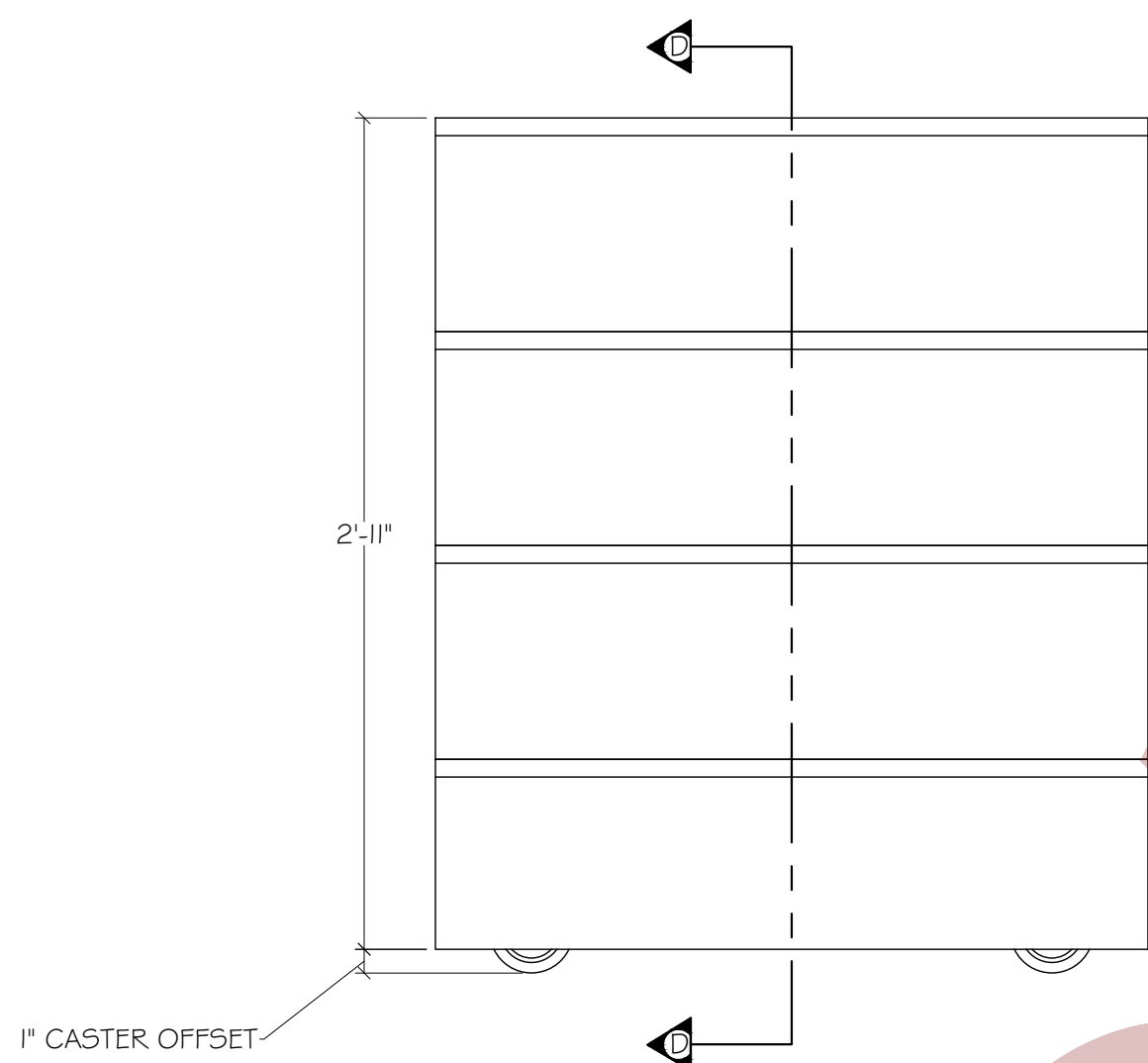
PLAN VIEW  
STUD WALL A

Indiana University Summer Theatre		5A
THE 39 STEPS SR TOWER		
DESIGNER: RACHEL ROSE BURKE	DATE: 5/25/22	
DIRECTOR: JENNY MCKNIGHT	REV DATE:	
DRAWN BY: RACHEL T. SHEARON	1" = 1'-0"	

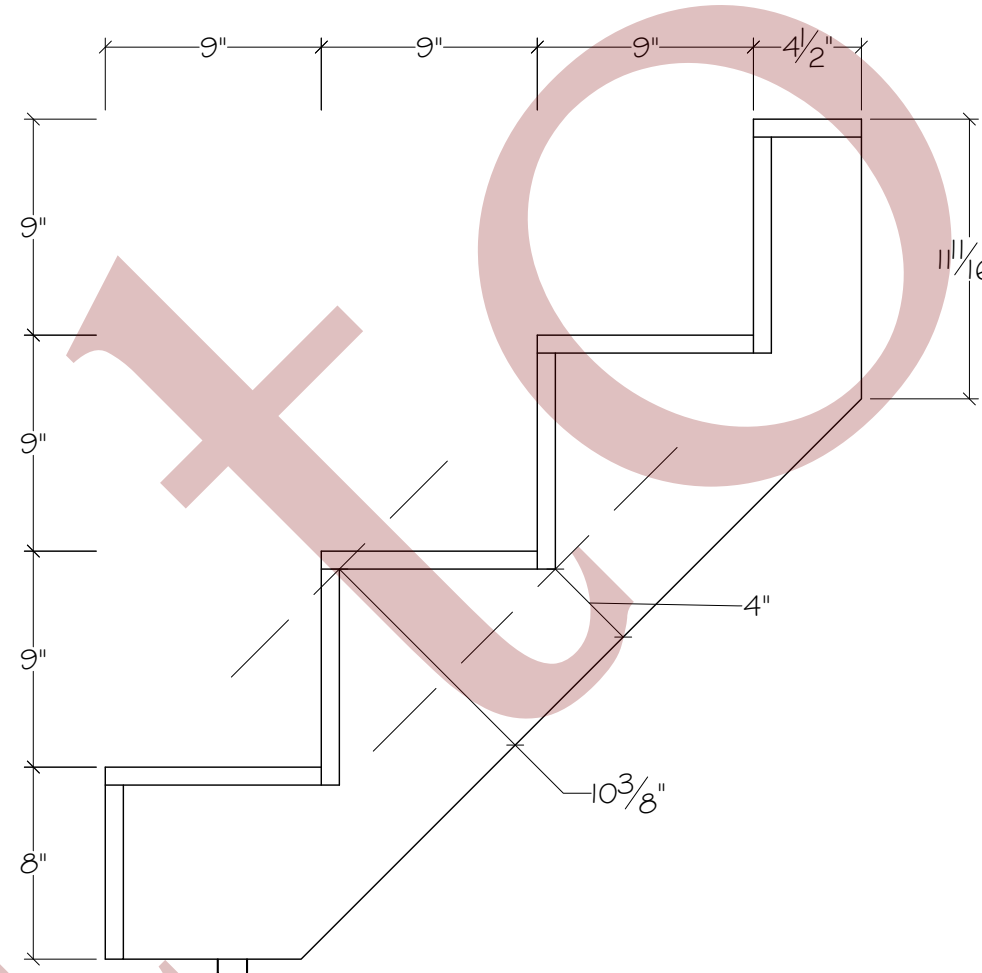
Scale



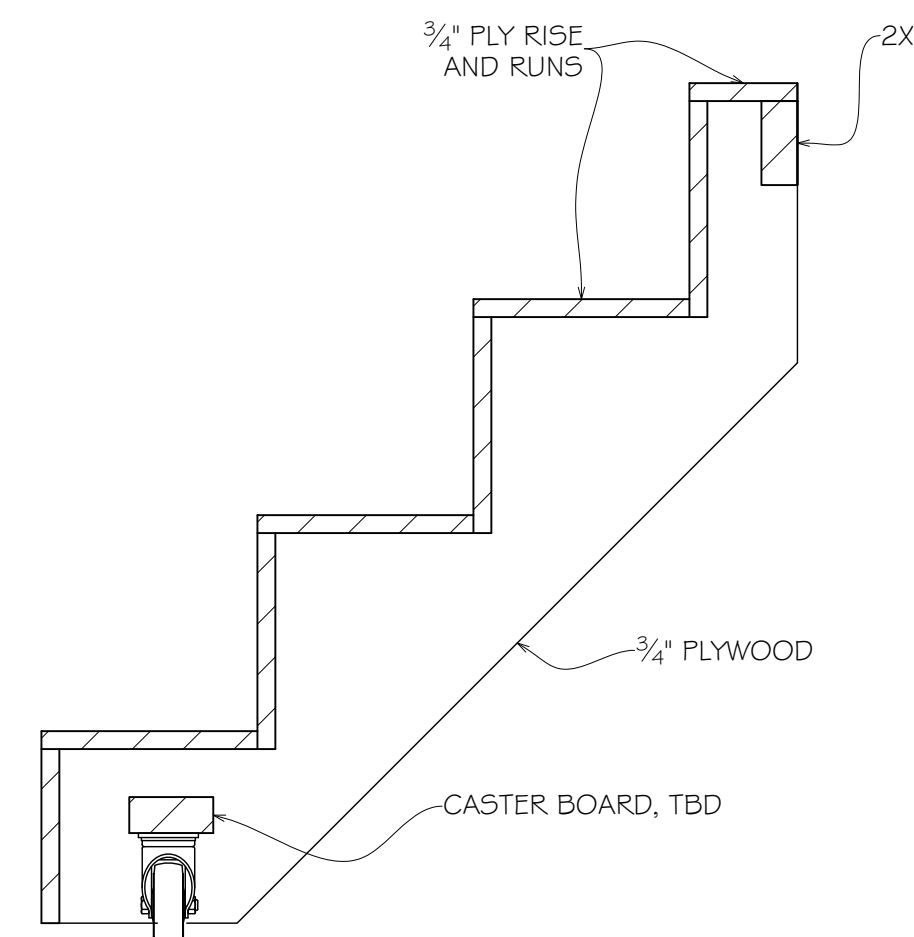
TOP VIEW  
5R STAIRS



FRONT VIEW  
5R STAIRS



SIDE VIEW  
5R STAIRS

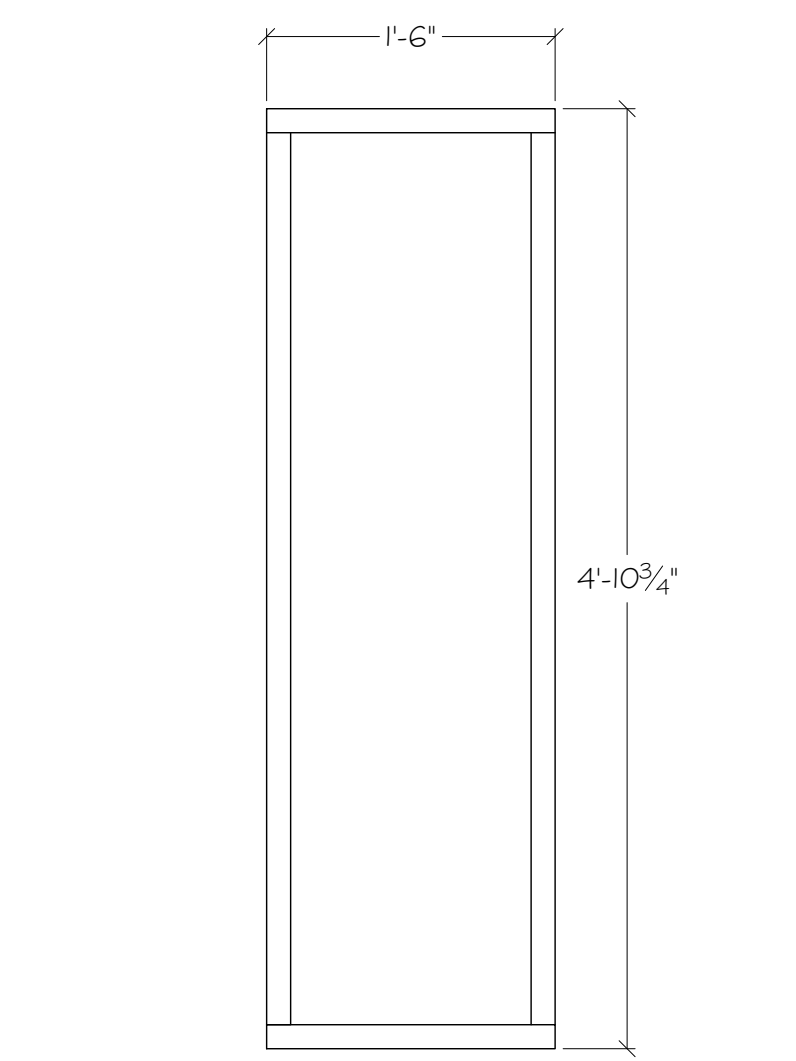
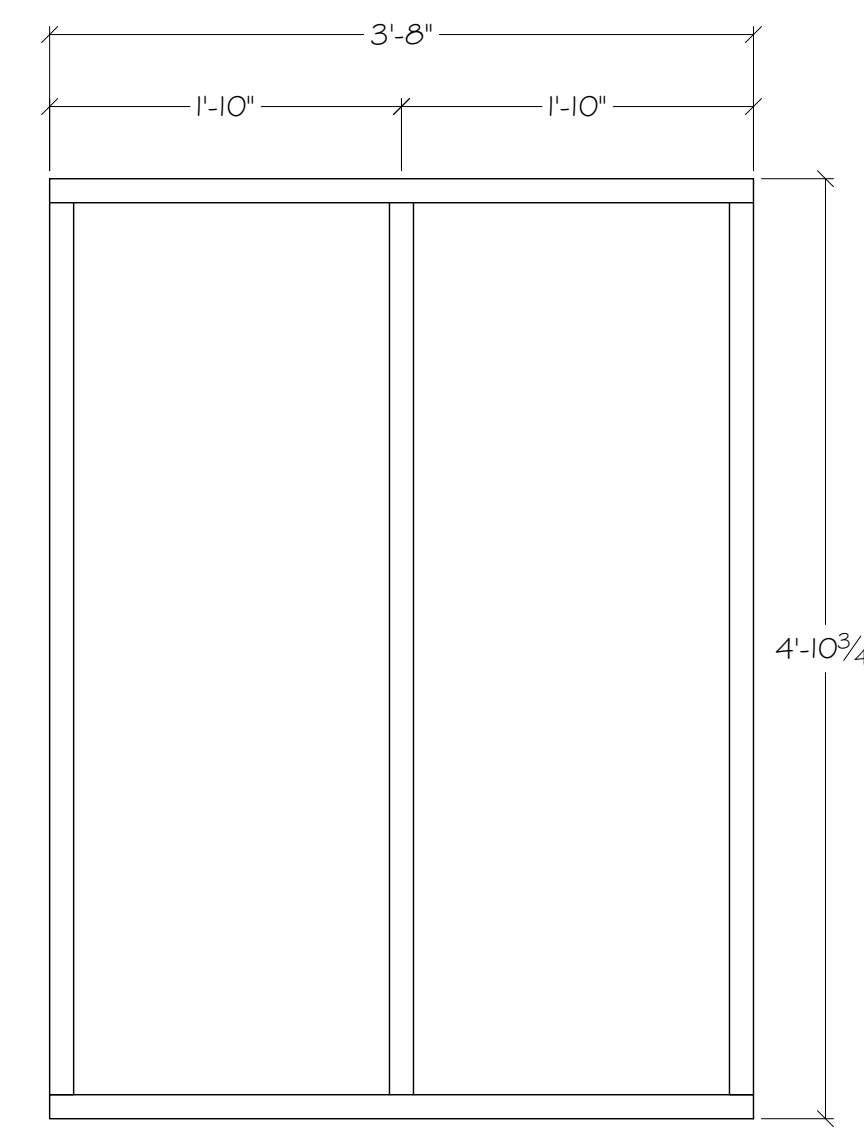
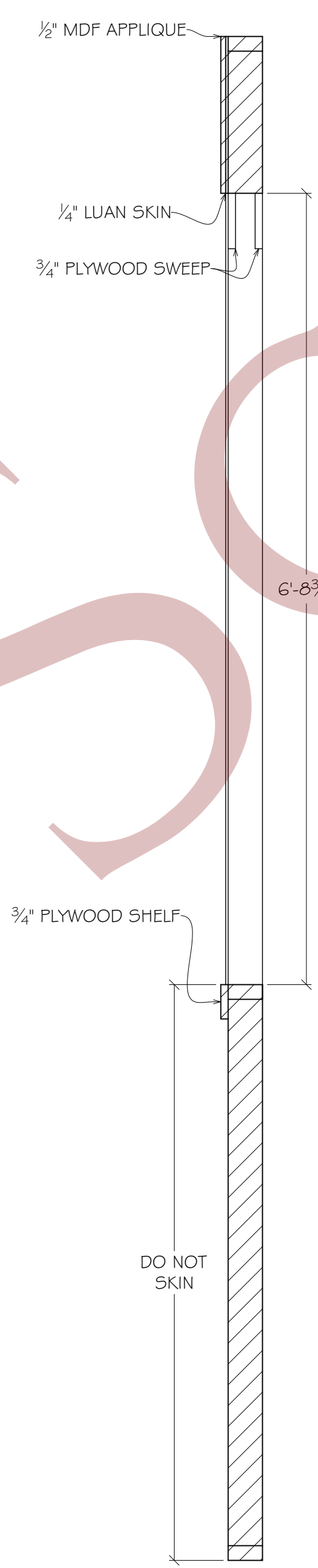
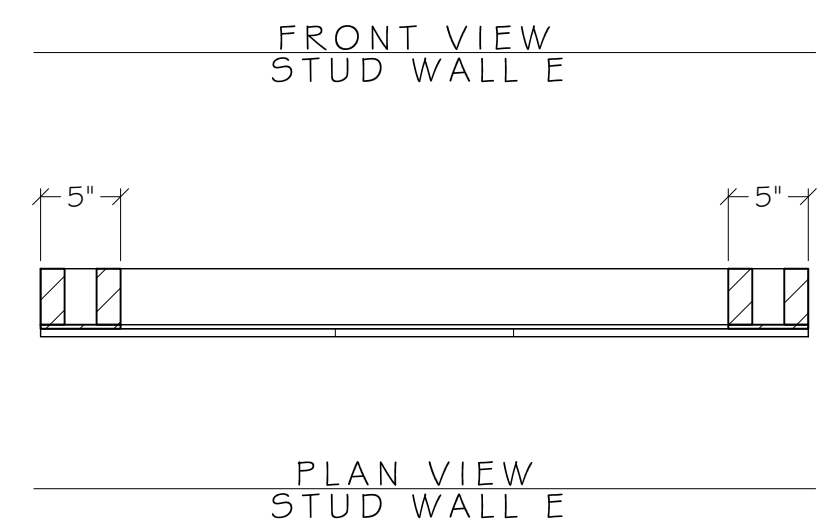
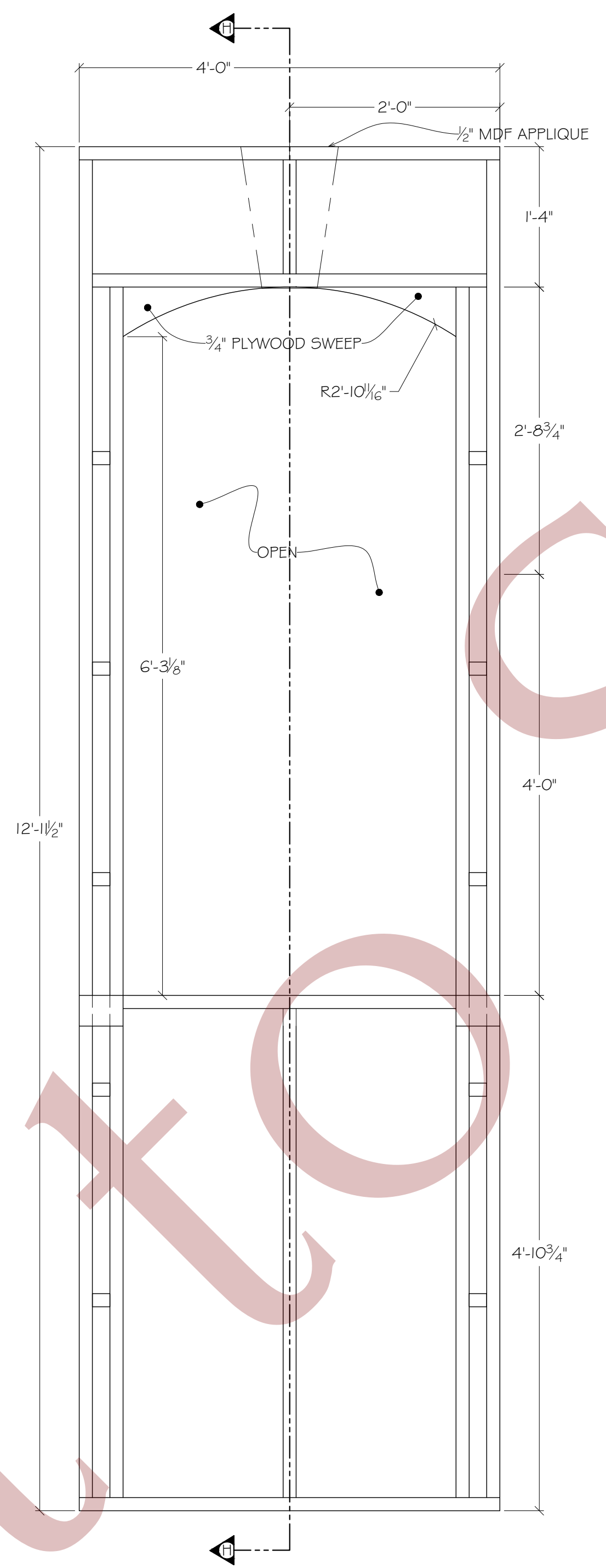
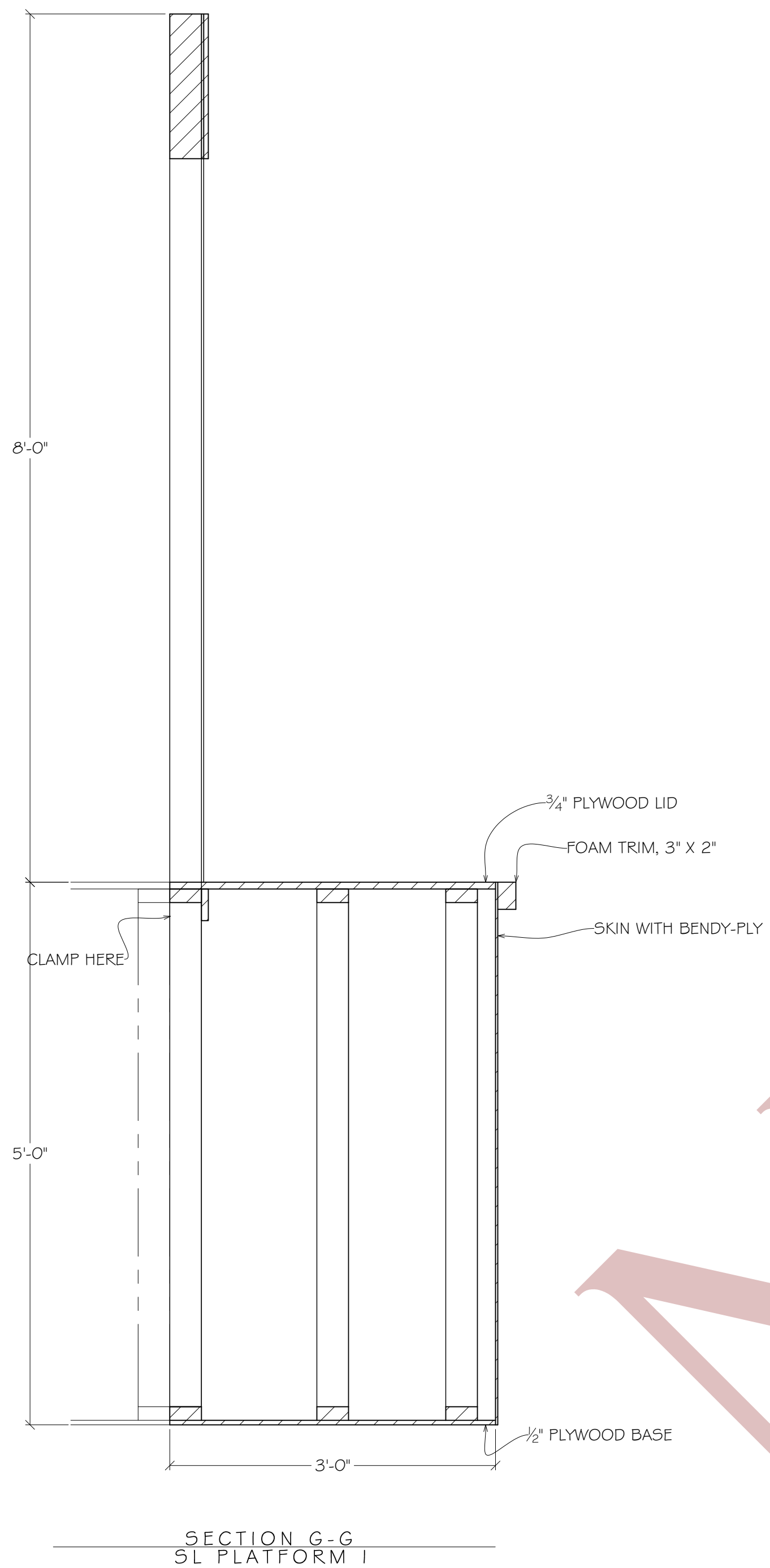
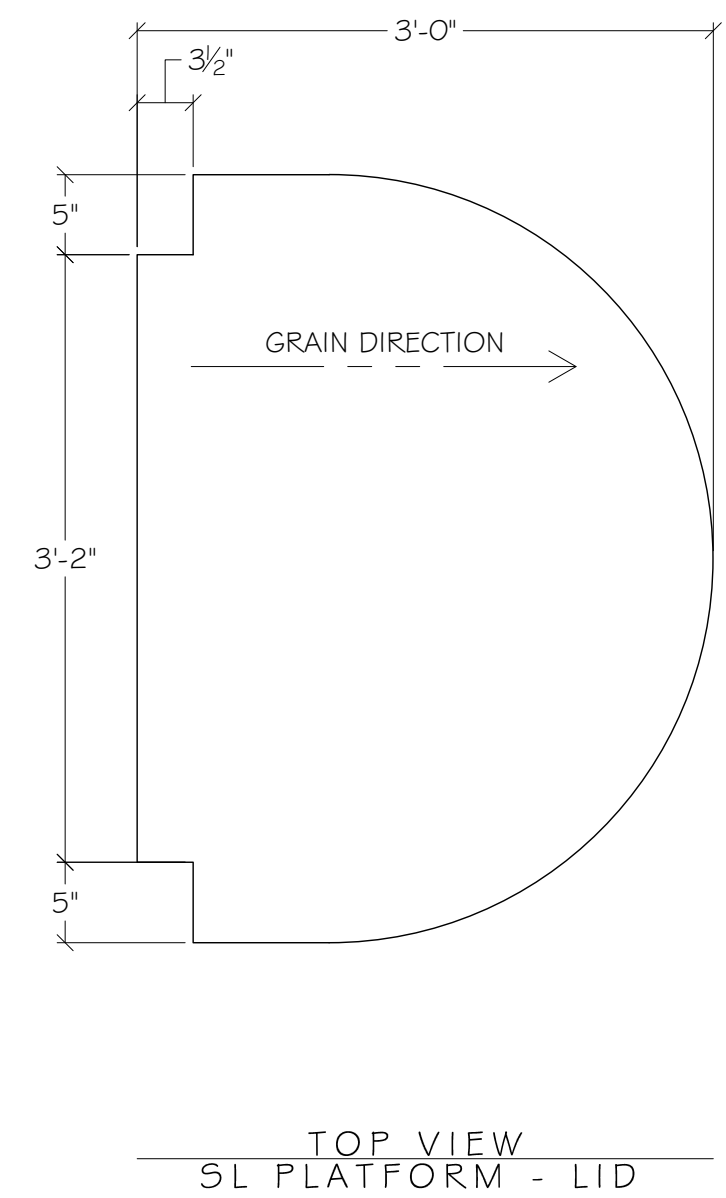
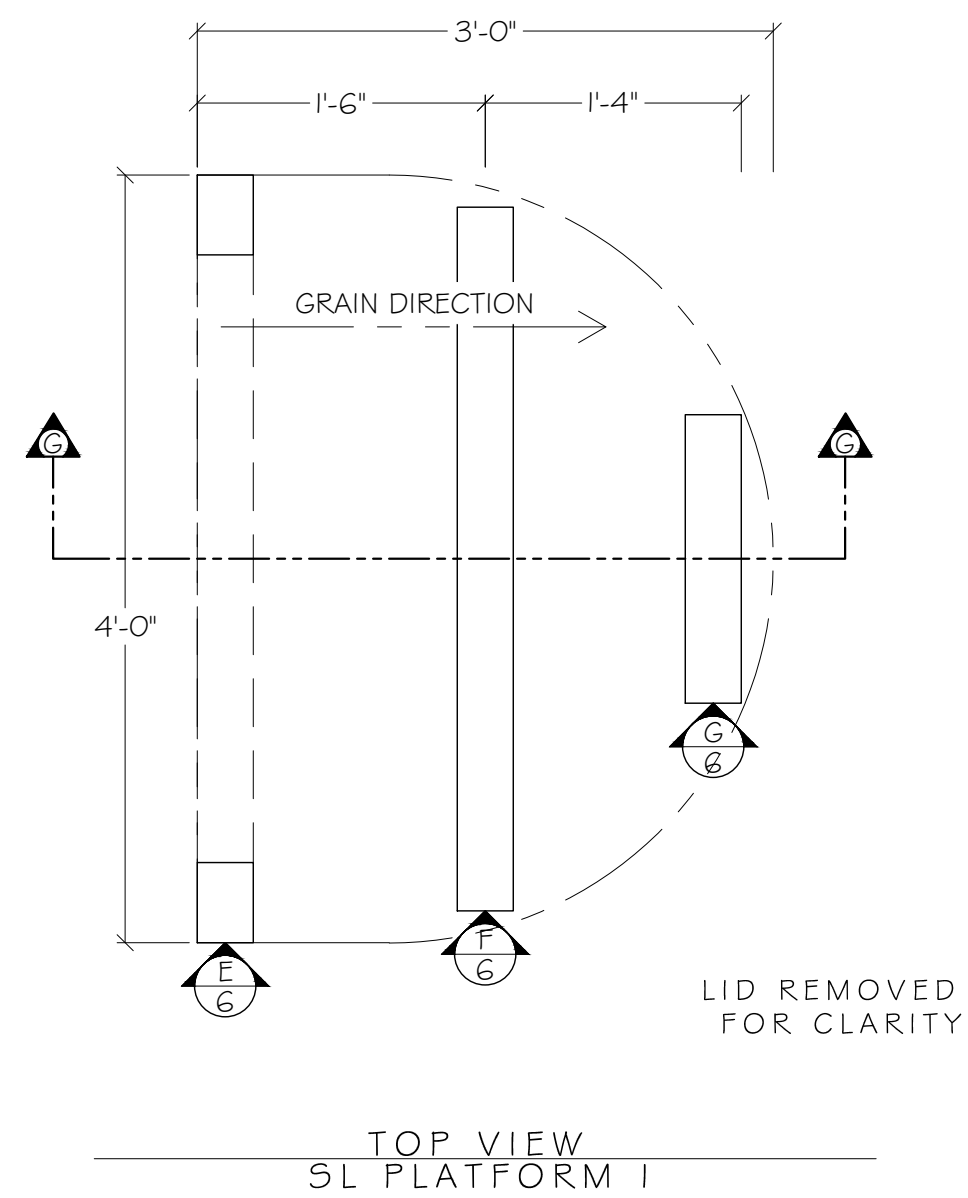



SECTION D-D  
5R STAIRS

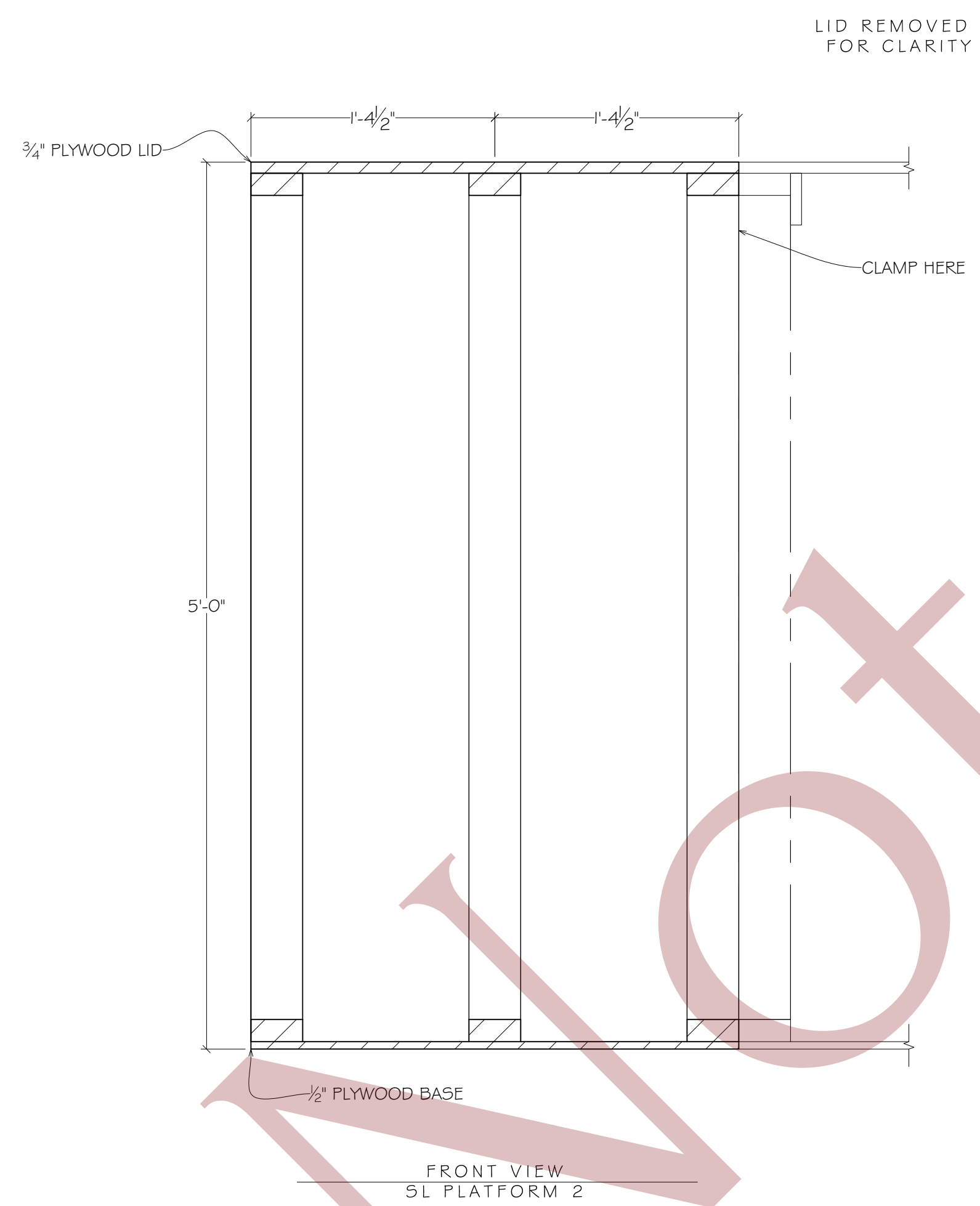
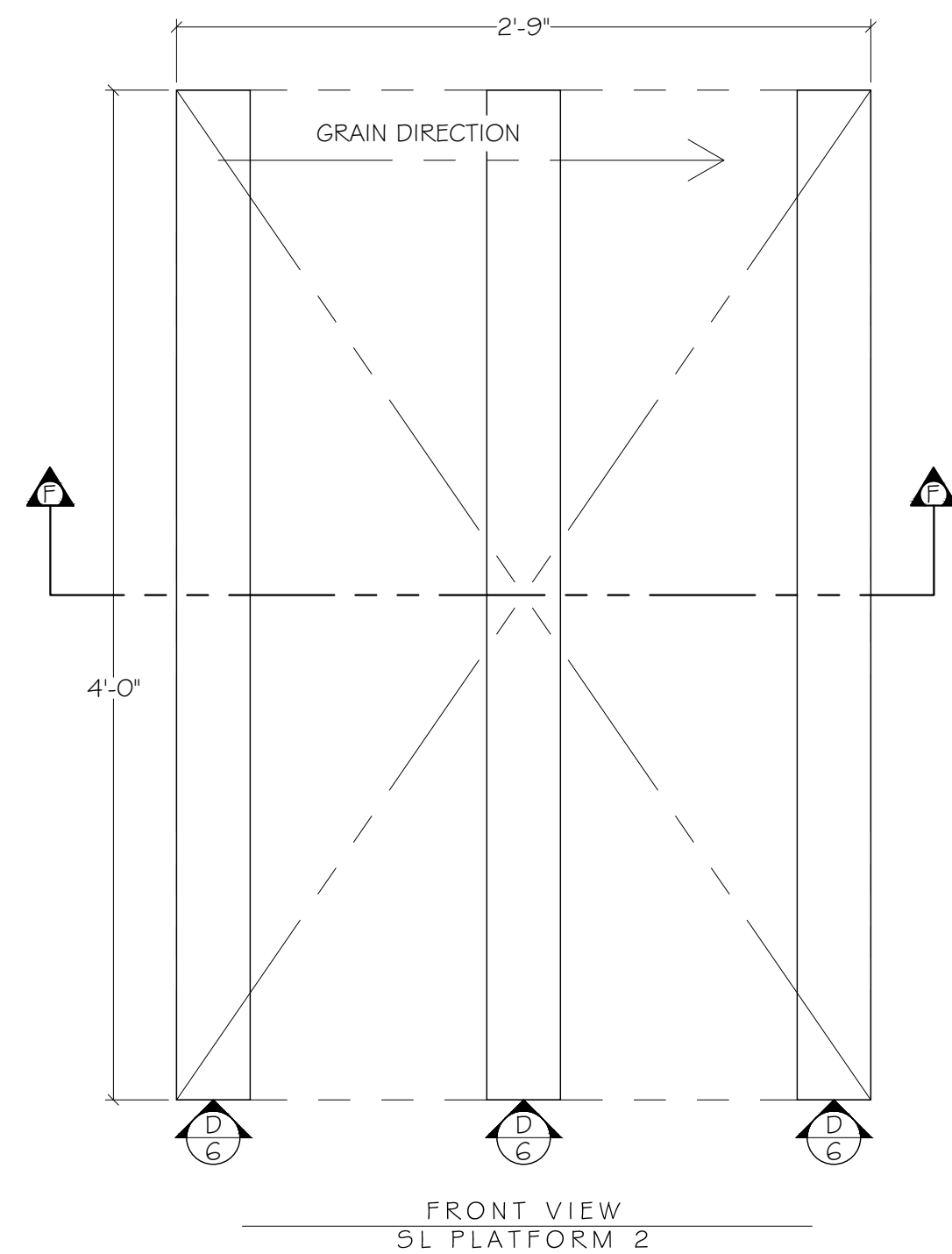
Notes

Indiana University Summer Theatre	
THE 39 STEPS 5R TOWER STEPS	
DESIGNER: RACHEL ROSE BURKE	DATE: 5/25/22
DIRECTOR: JENNY MCKNIGHT	REV DATE:
DRAWN BY: RACHEL T. SHEARON	1 1/2" = 1'-0"

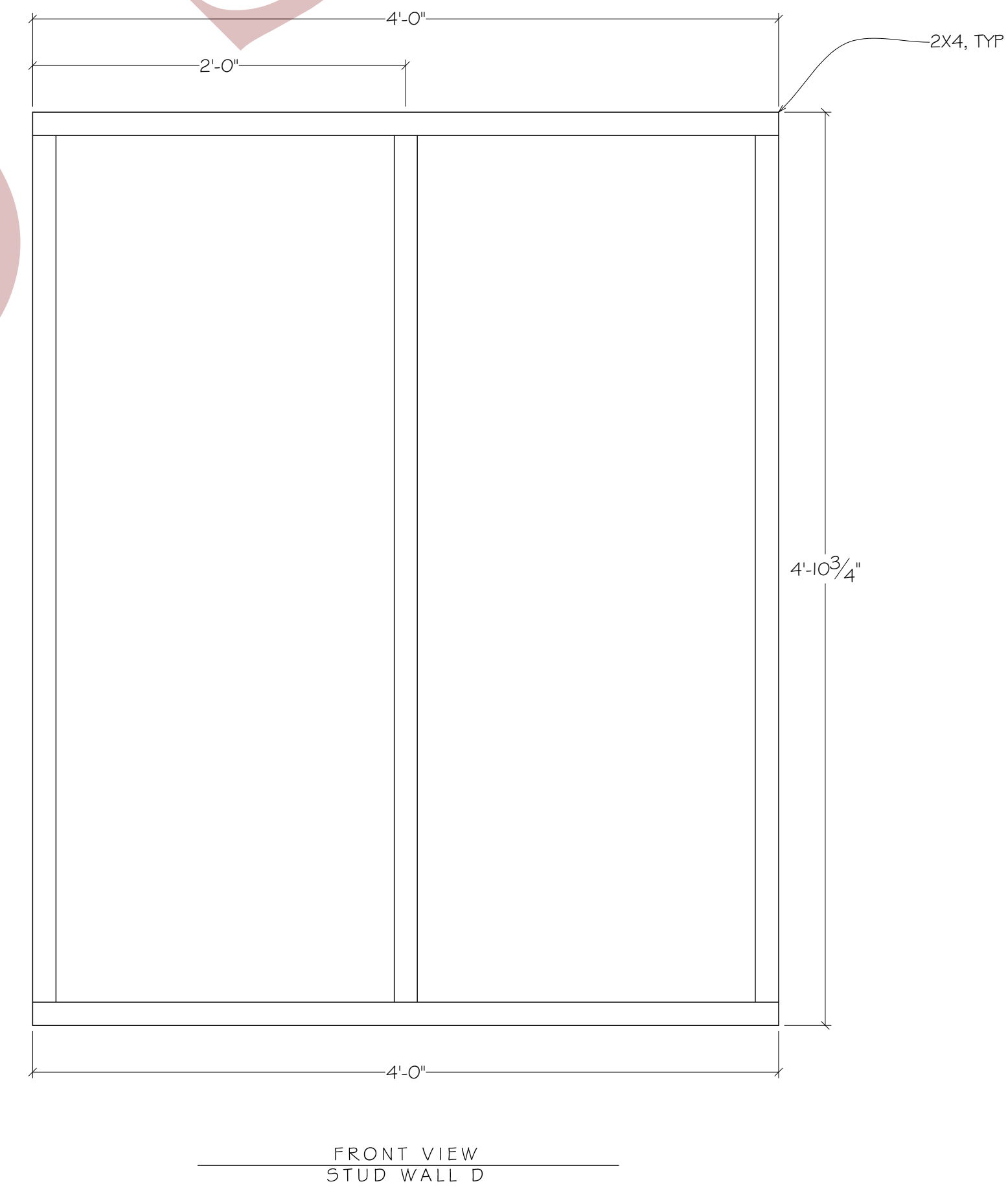
5B



Indiana University Summer Theatre			
THE 39 STEPS SL TOWER PLATFORM I			
 <b>THEATRE &amp; DANCE</b>	DESIGNER: RACHEL ROSE BURE	DATE: 5/25/22	<b>6A</b>
	DIRECTOR: JENNY MCKNIGHT	REV DATE:	
	DRAWN BY: RACHEL T. SHEARON	1" = 1'-0"	



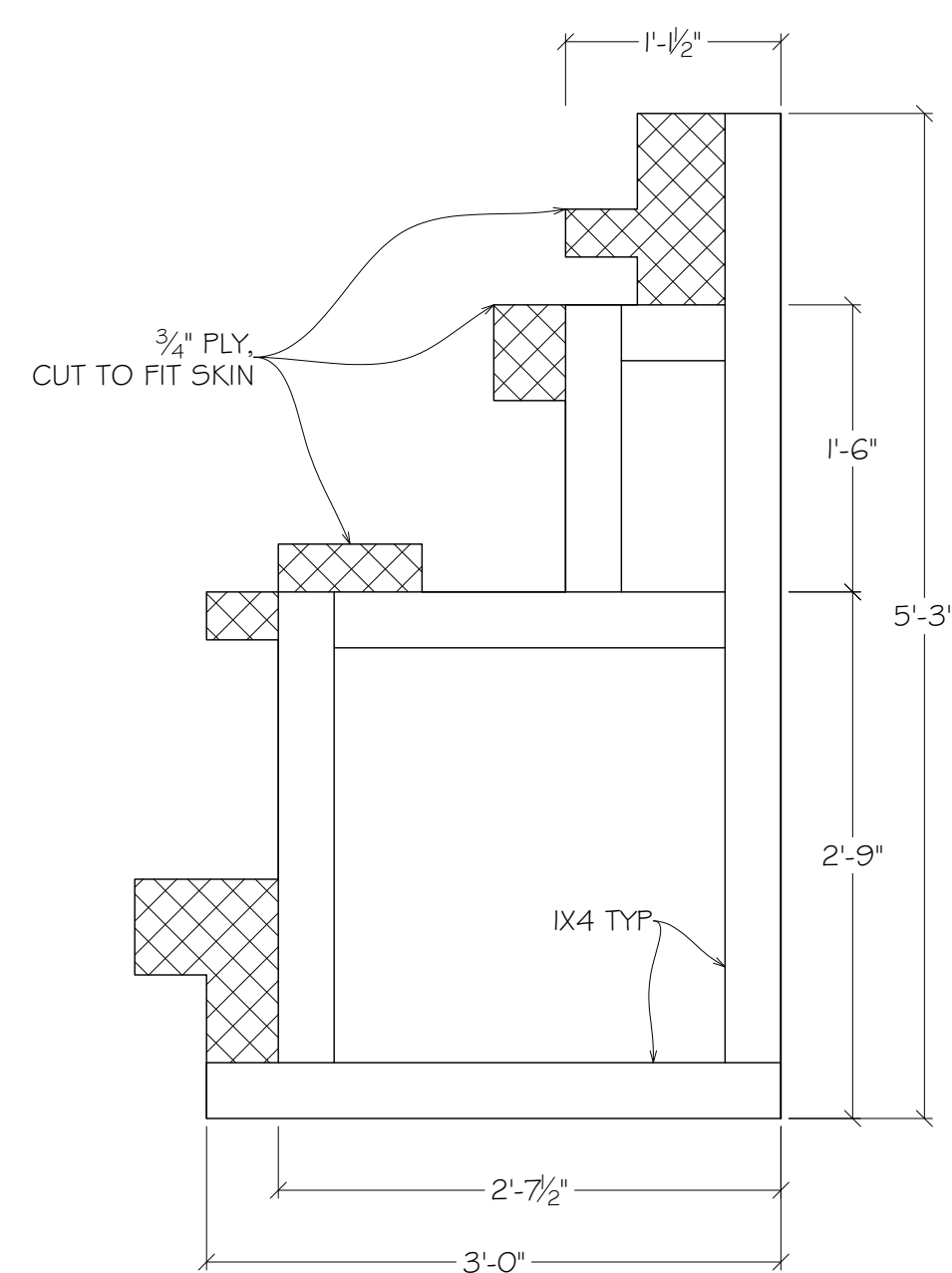
Scale



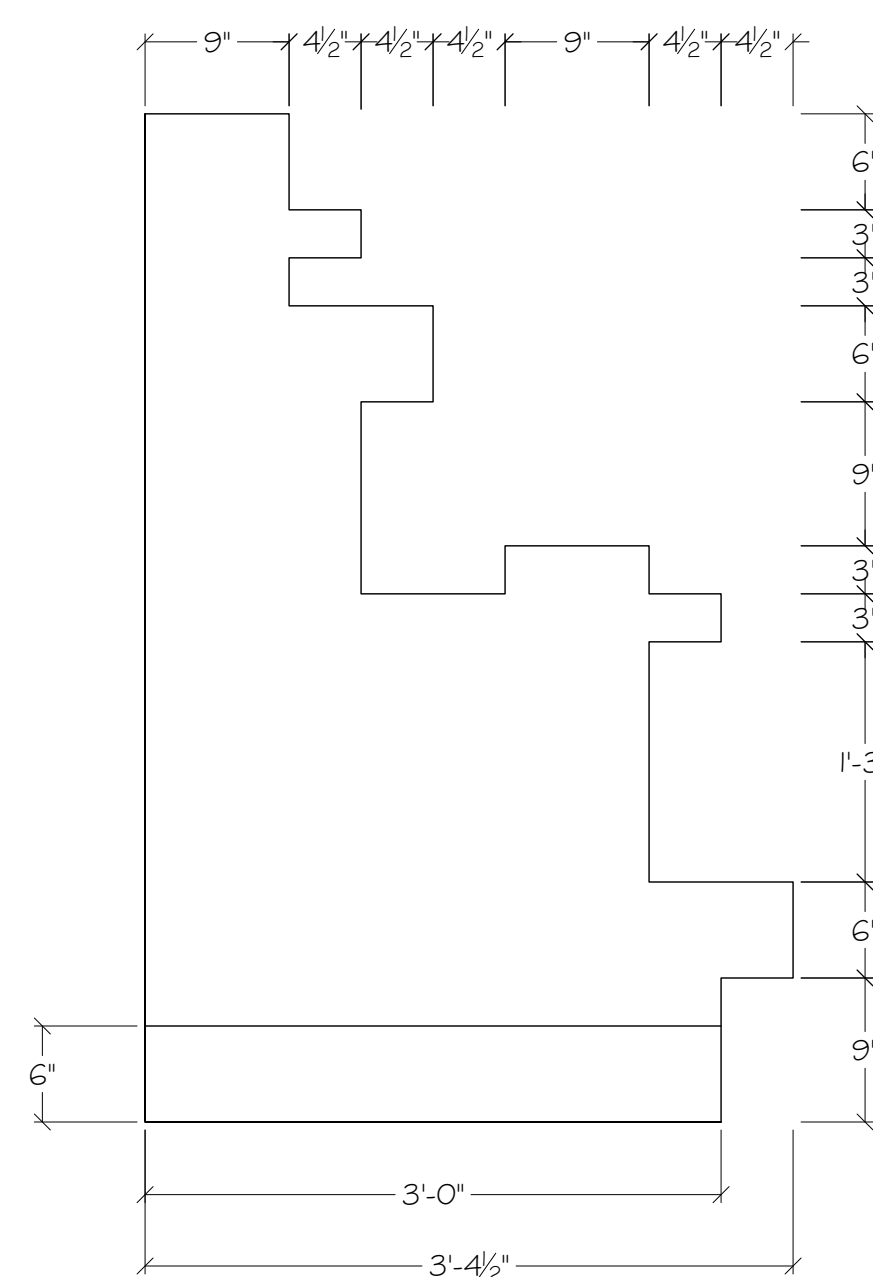
Indiana University Summer Theatre			
THE 39 STEPS SL TOWER PLATFORM 2			
	DESIGNER:	RACHEL ROSE BURE	DATE: 5/25/22
	DIRECTOR:	JENNY MCKNIGHT	REV DATE:
	DRAWN BY:	RACHEL T. SHEARON	1/2" = 1'-0"

6B

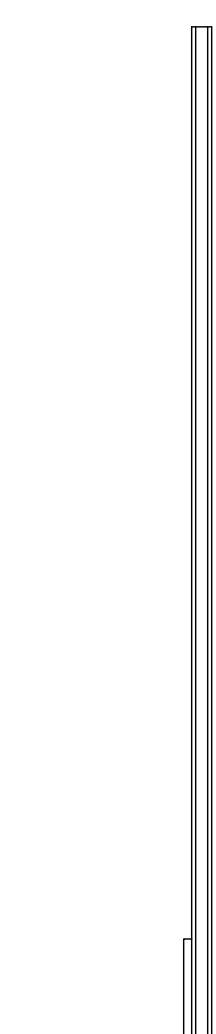
Not for Scale



REAR VIEW  
SR BRICK WALL



FRONT VIEW  
SR BRICK WALL

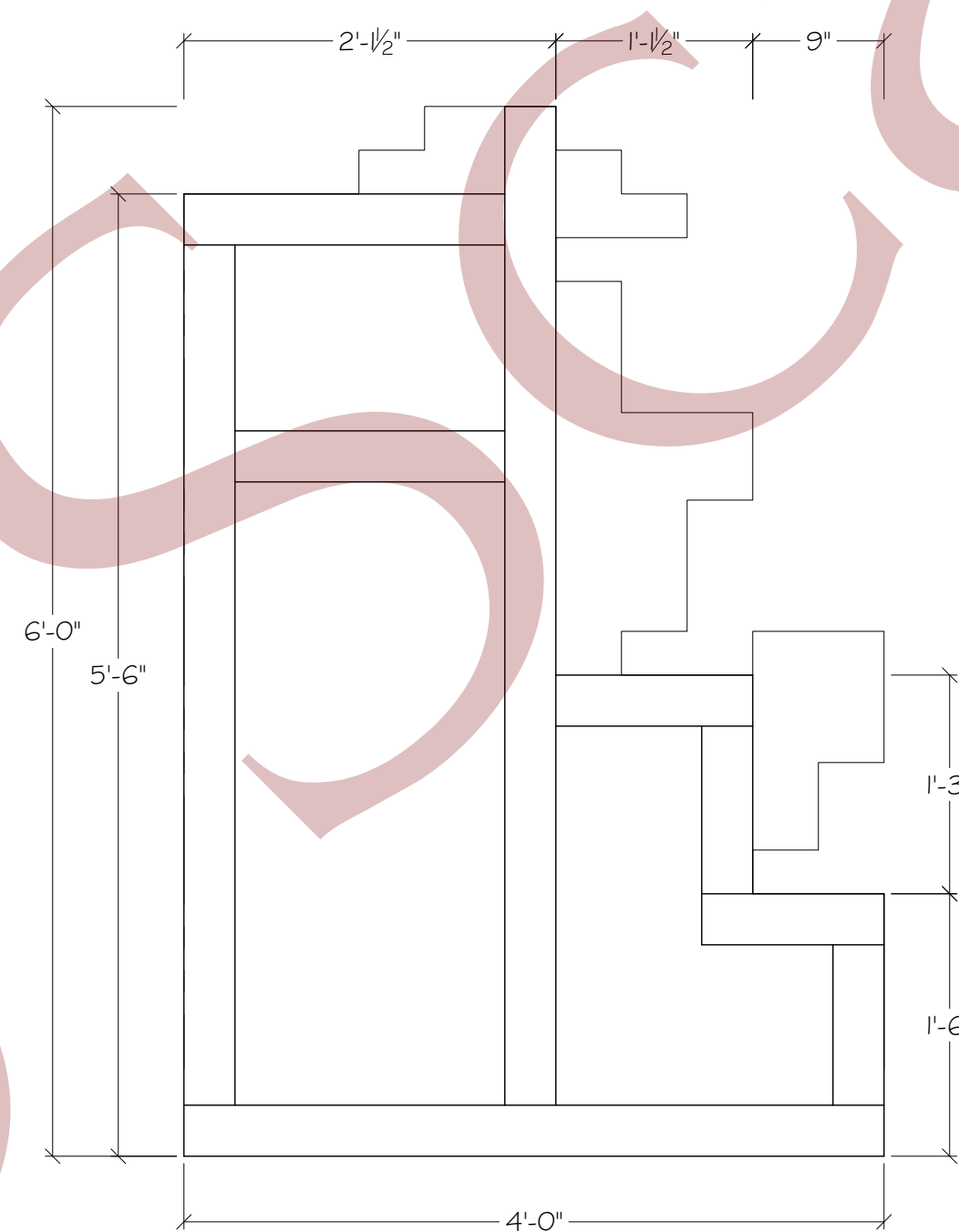


FRONT VIEW  
SR BRICK WALL

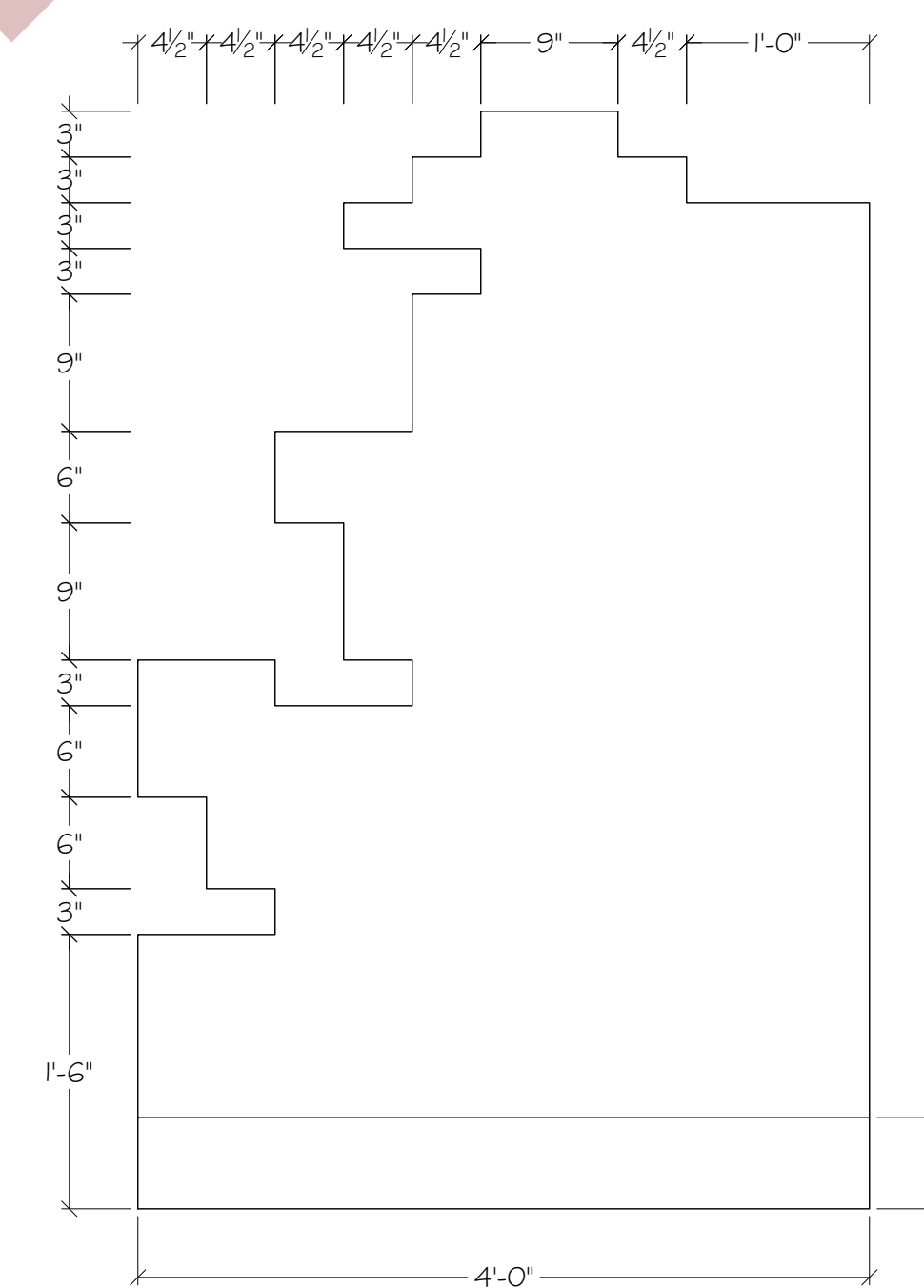


TOP VIEW  
SR BRICK WALL

ADJUST ACCORDING TO  
BRICK PANELING



REAR VIEW  
SL BRICK WALL



FRONT VIEW  
SL BRICK WALL

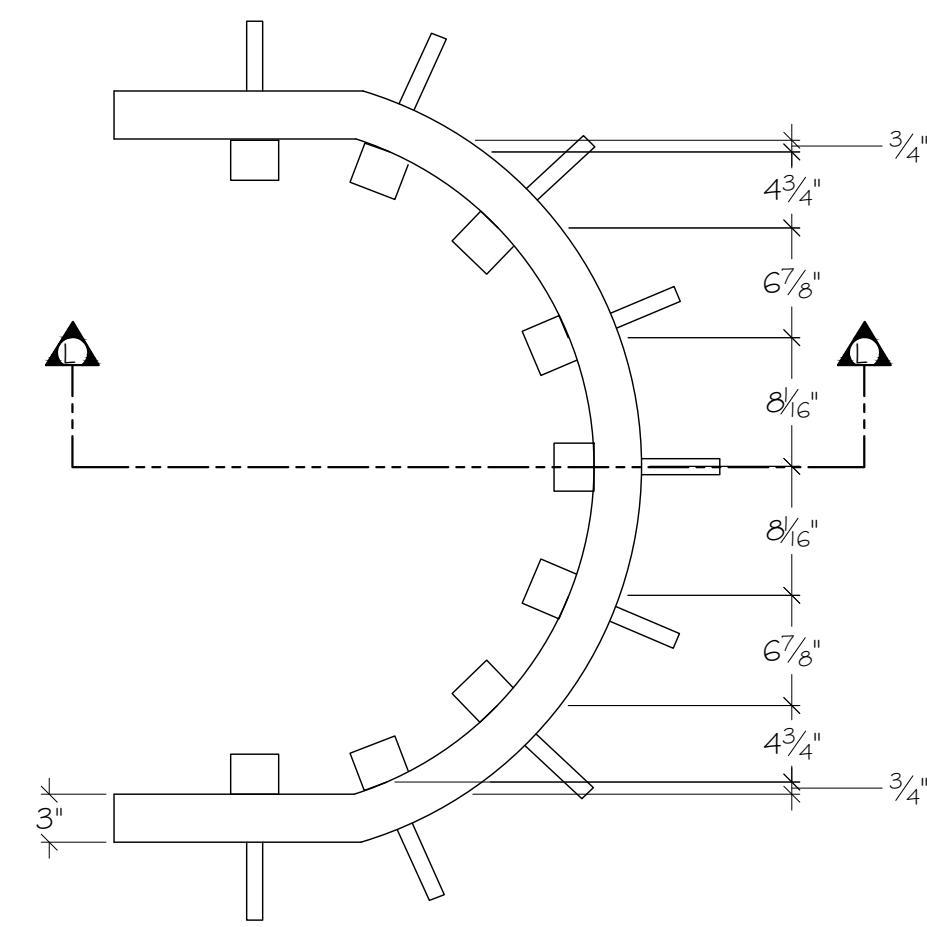


FRONT VIEW  
SL BRICK WALL

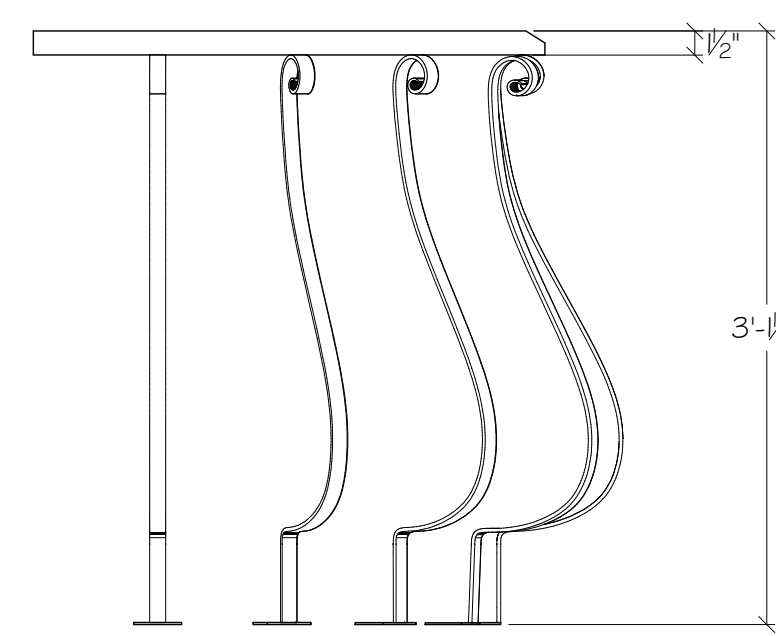


TOP VIEW  
SL BRICK WALL

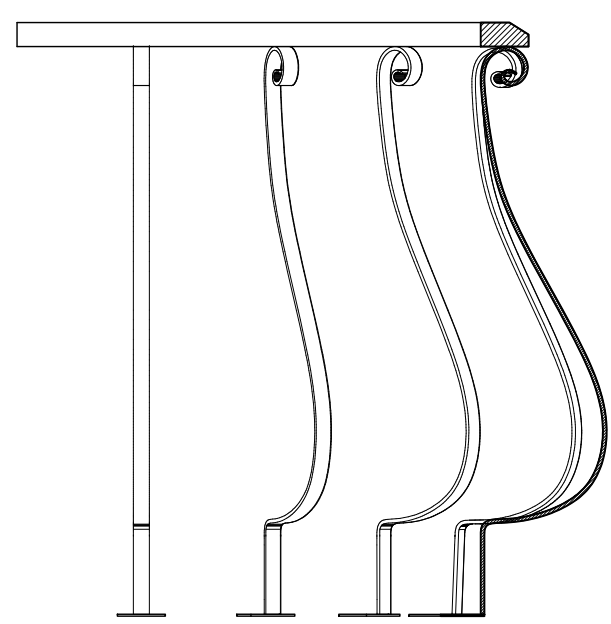
ADJUST ACCORDING TO  
BRICK PANELING



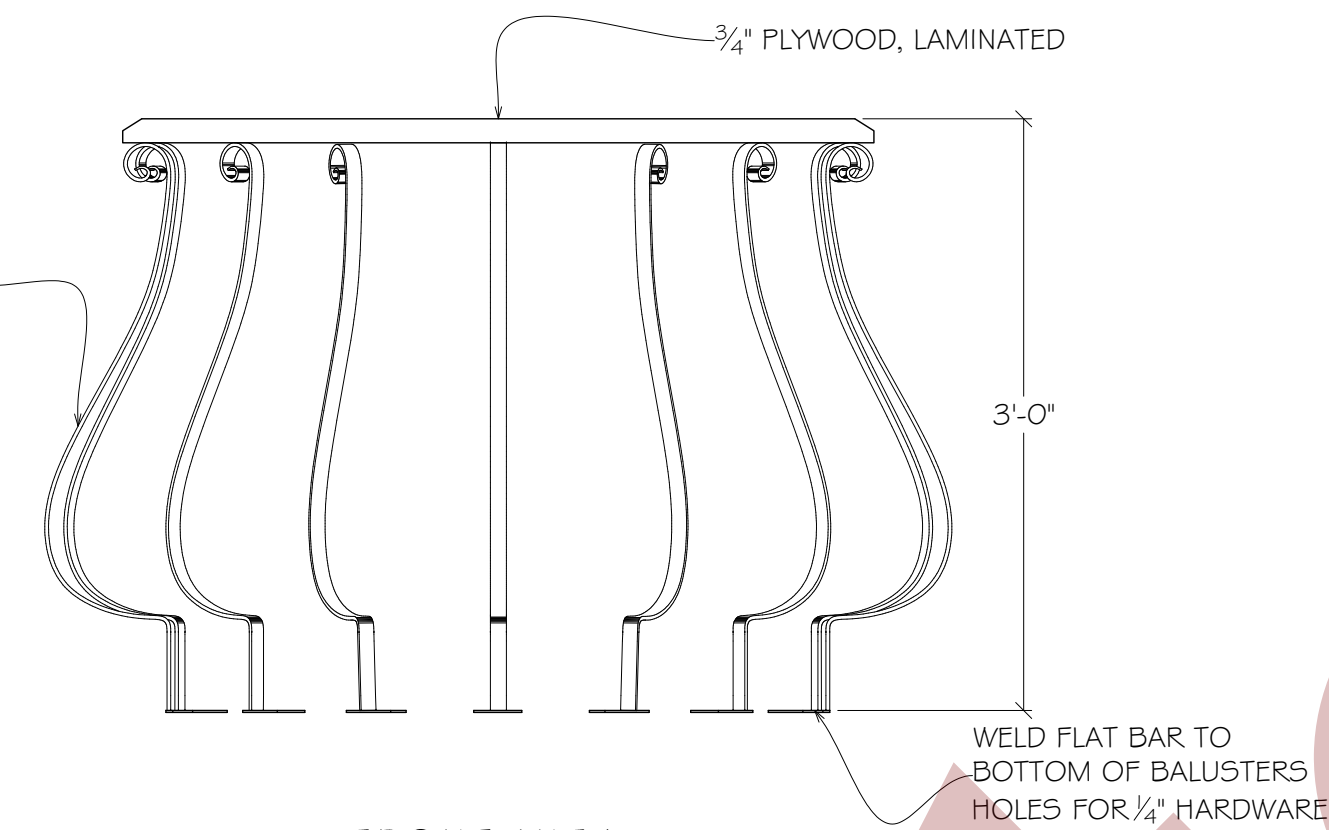
TOP VIEW  
RAILING



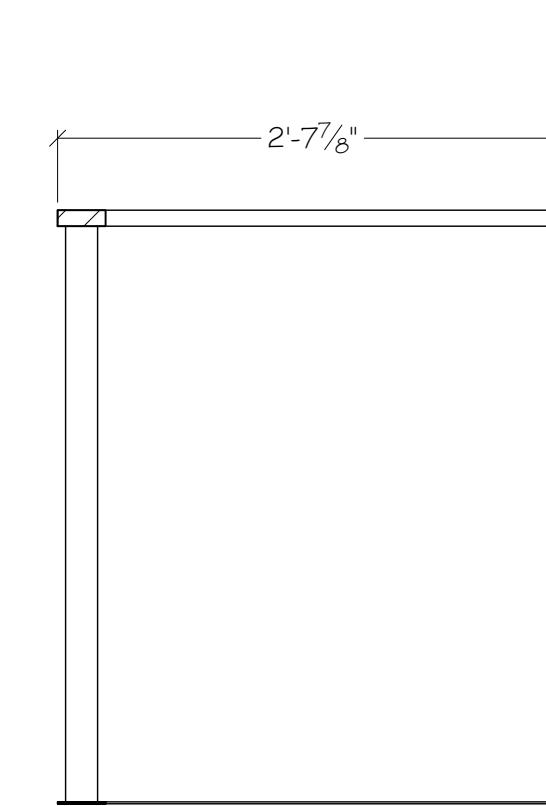
SIDE VIEW  
RAILING



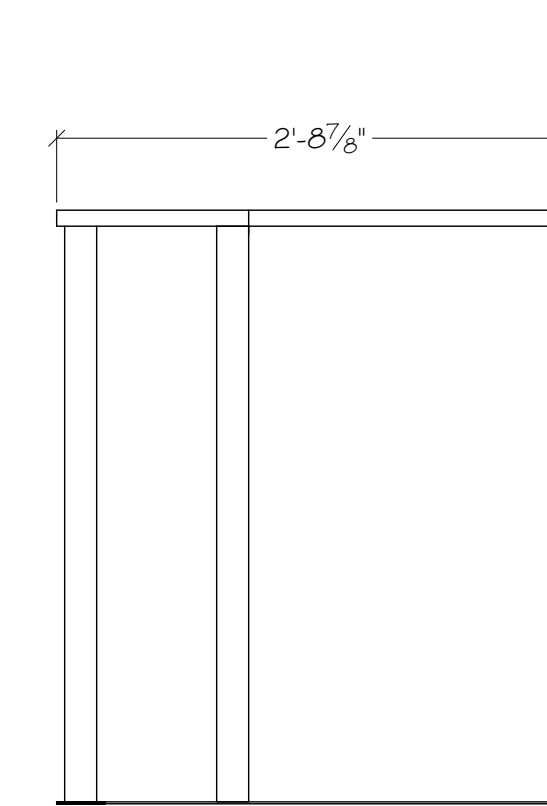
SECTION L-L  
RAILING



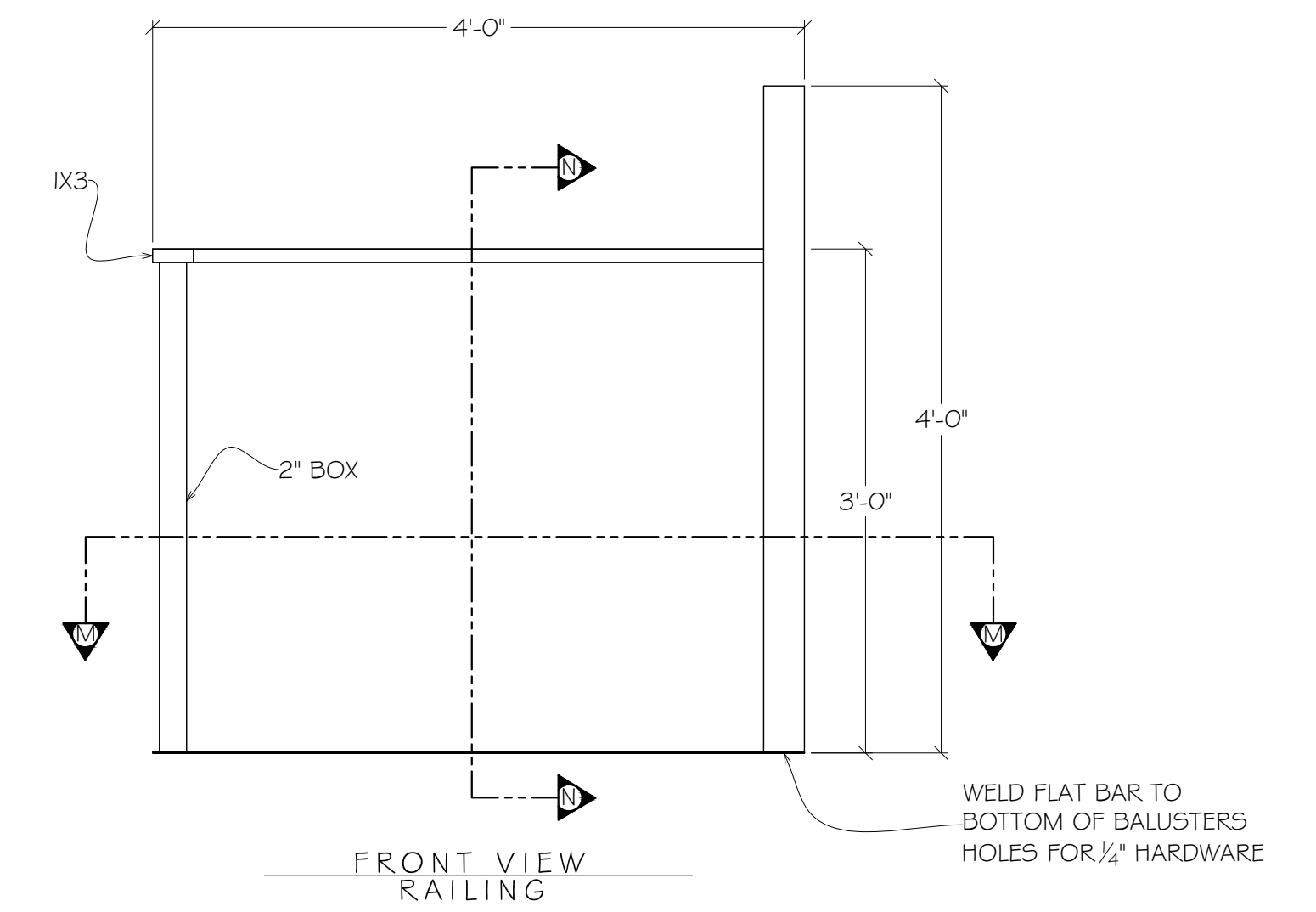
FRONT VIEW  
RAILING



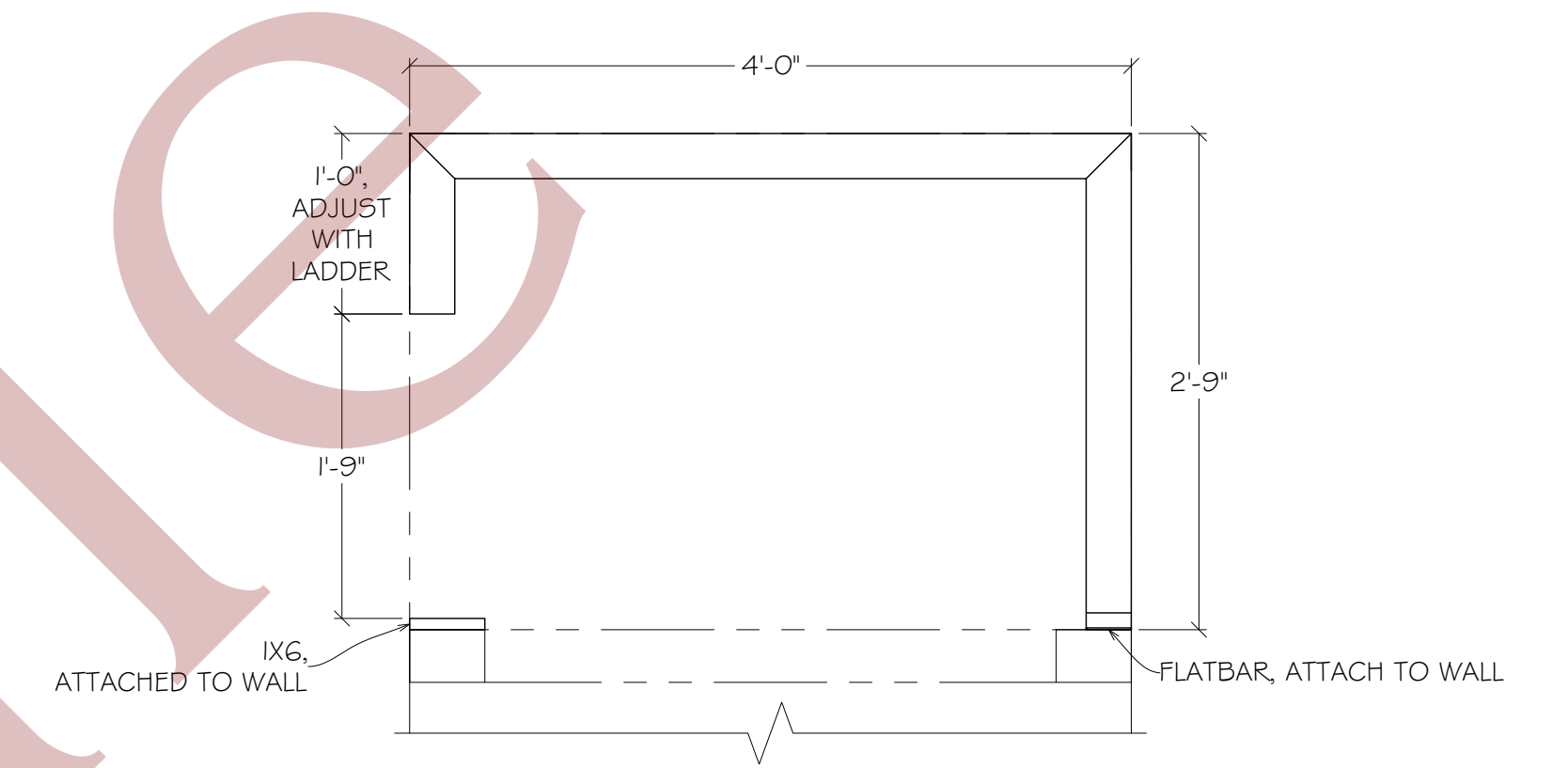
SECTION N-N  
RAILING



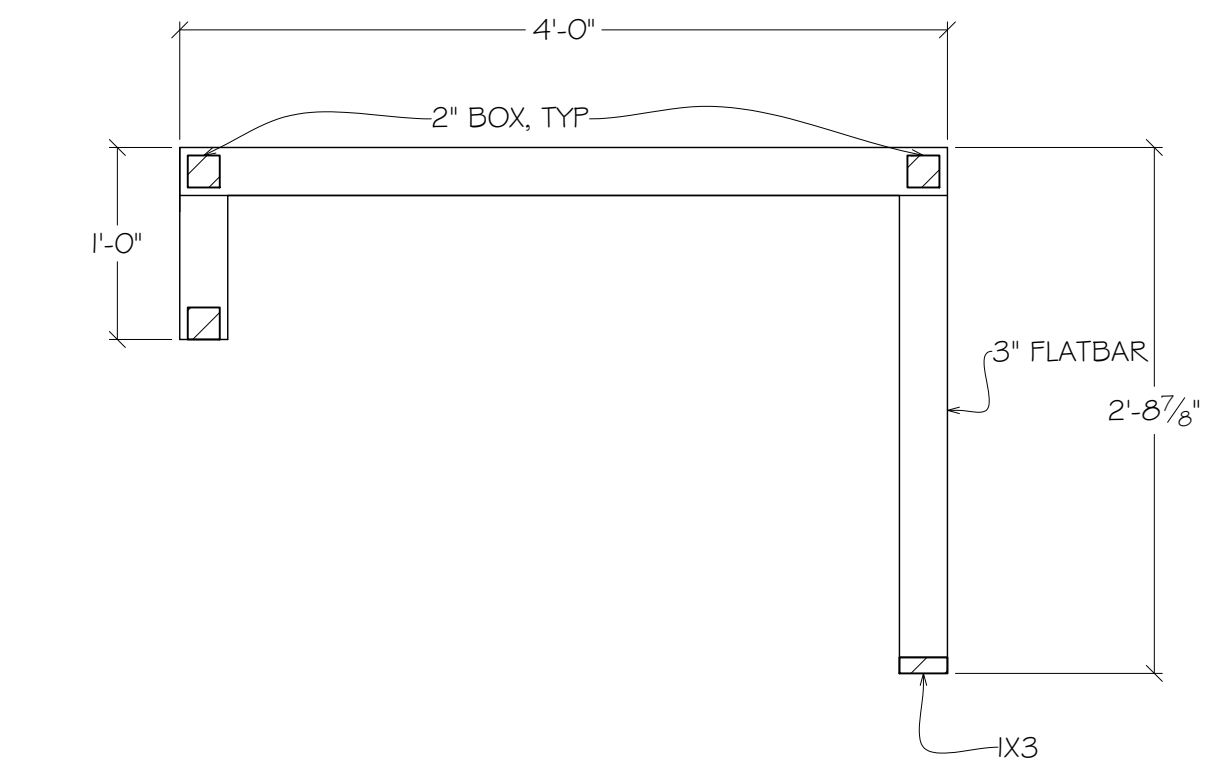
SIDE VIEW  
RAILING



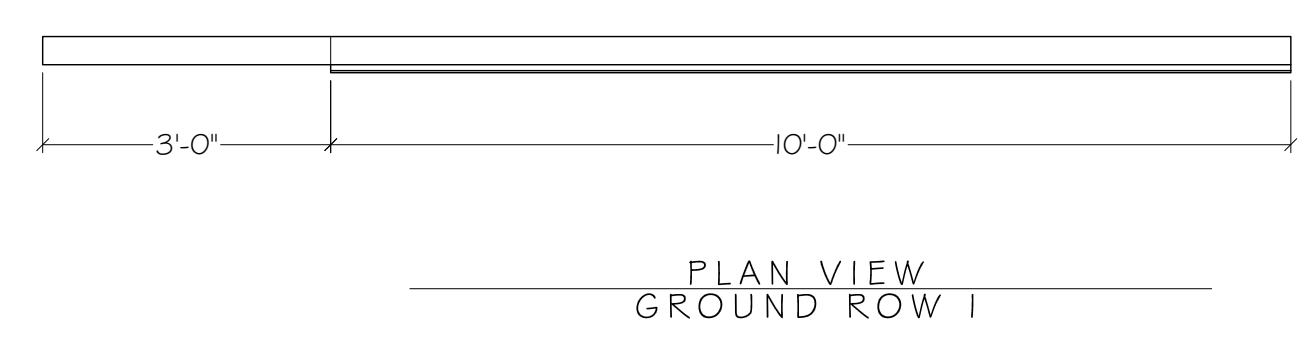
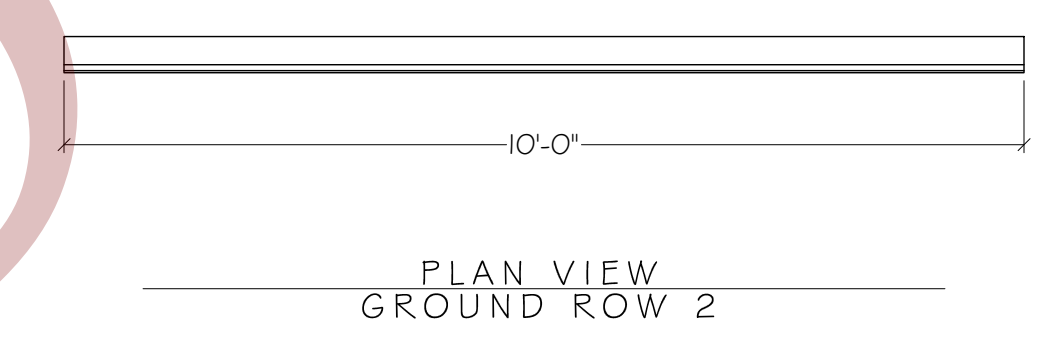
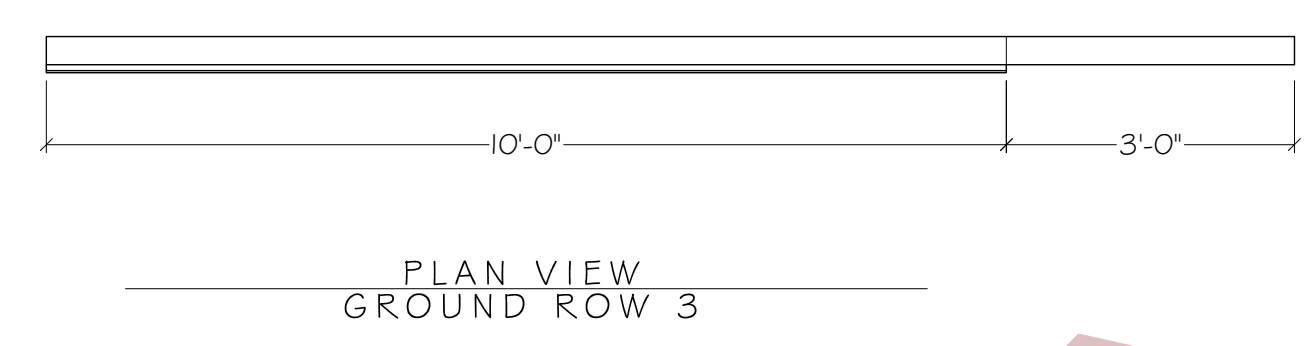
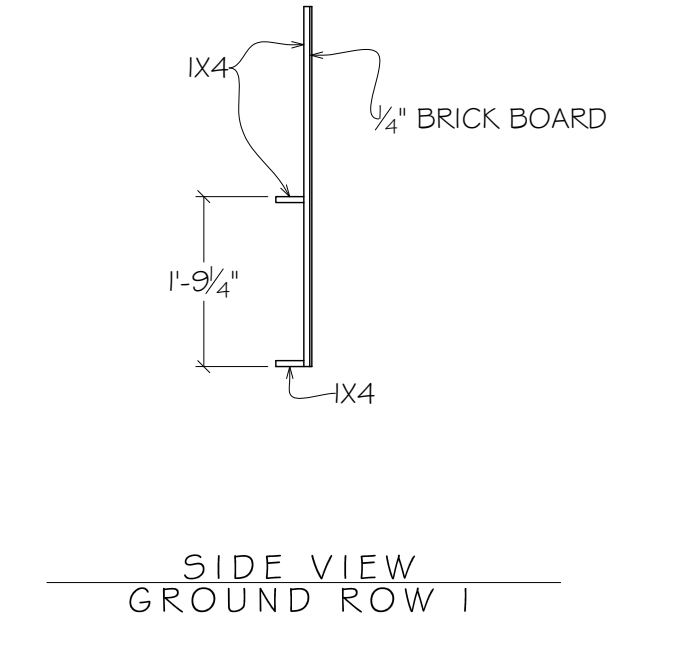
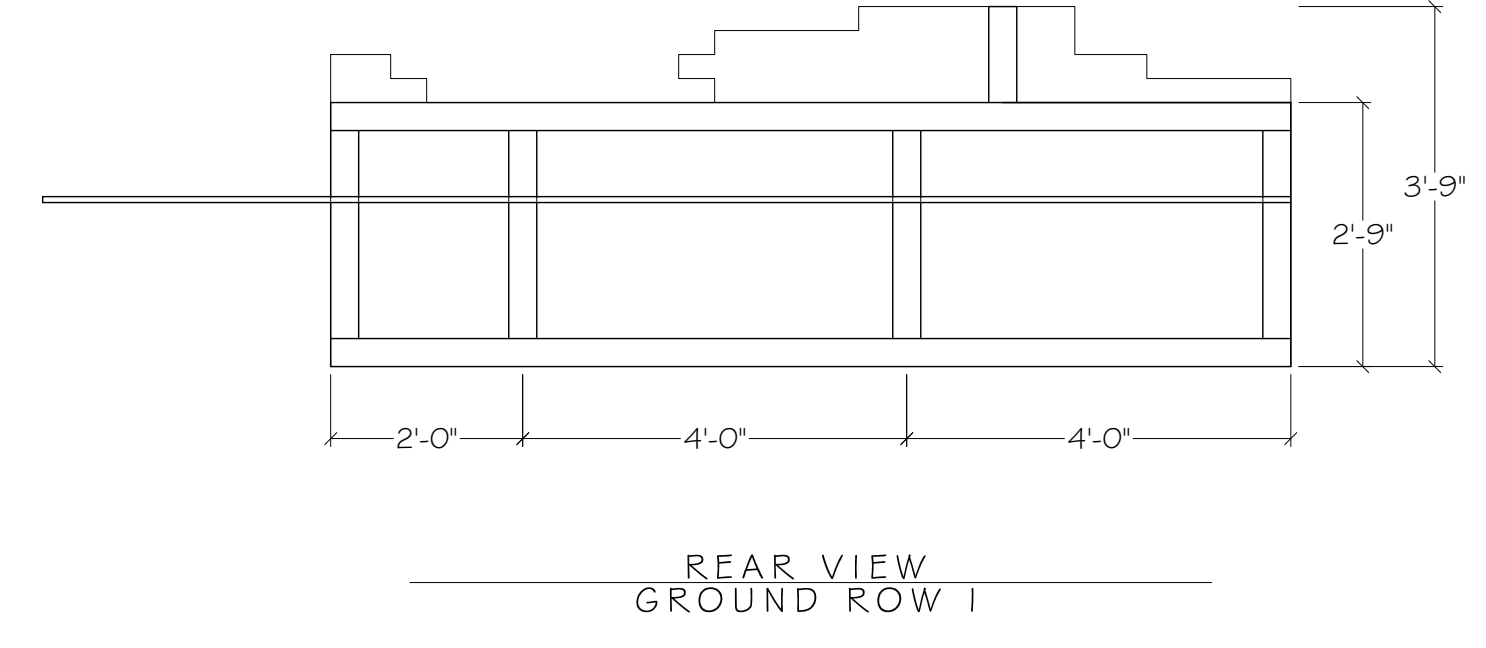
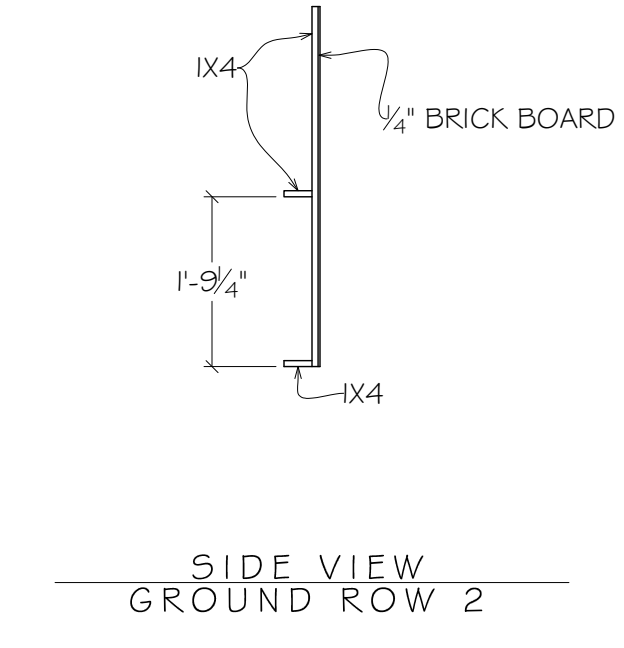
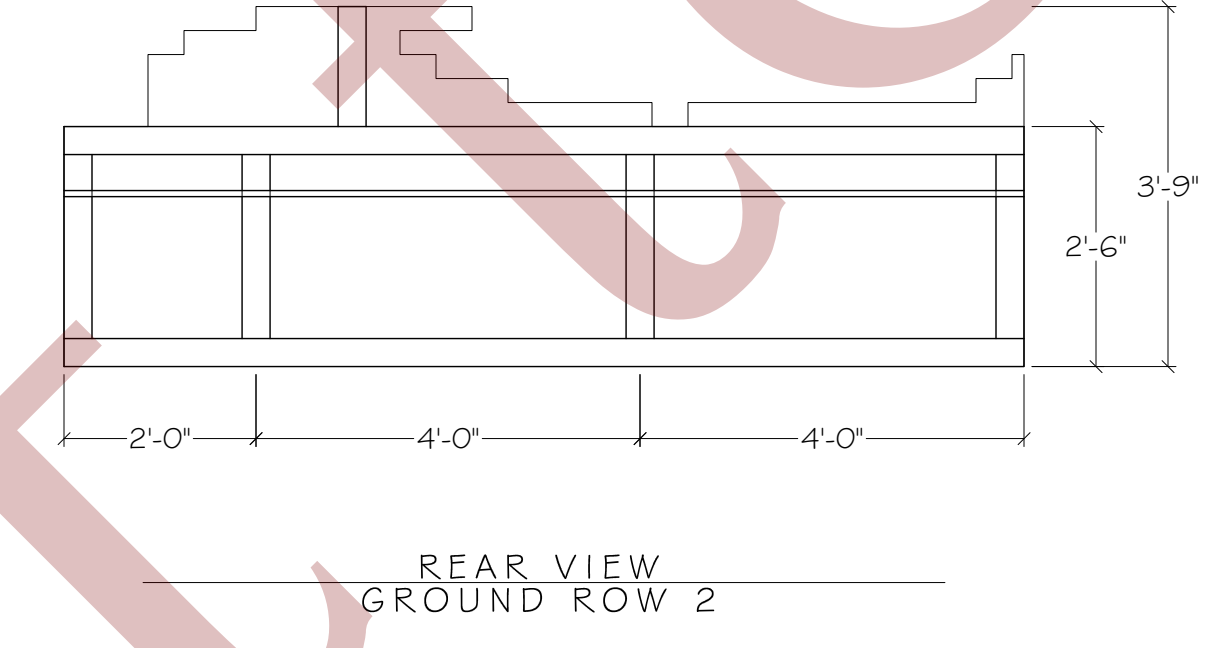
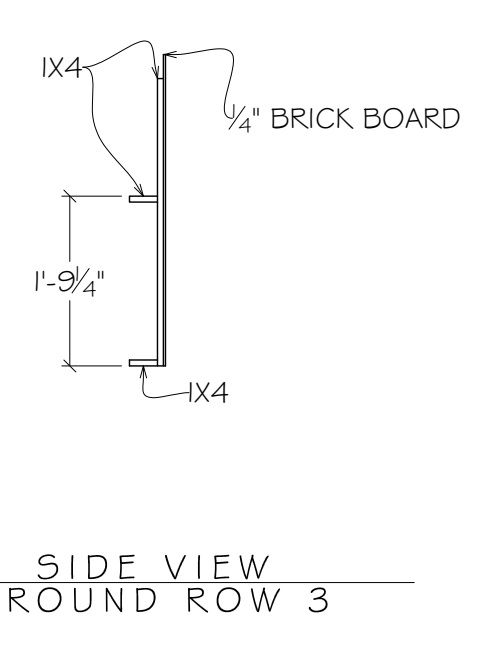
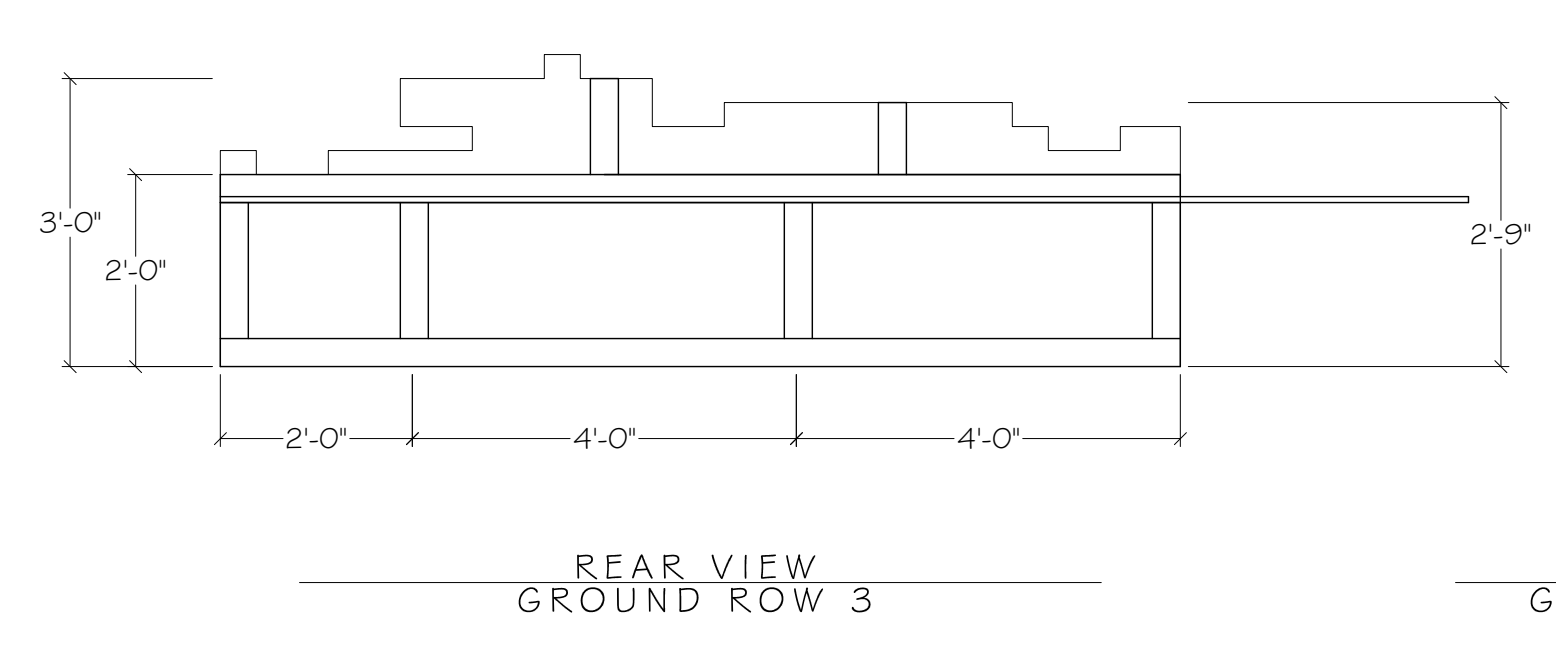
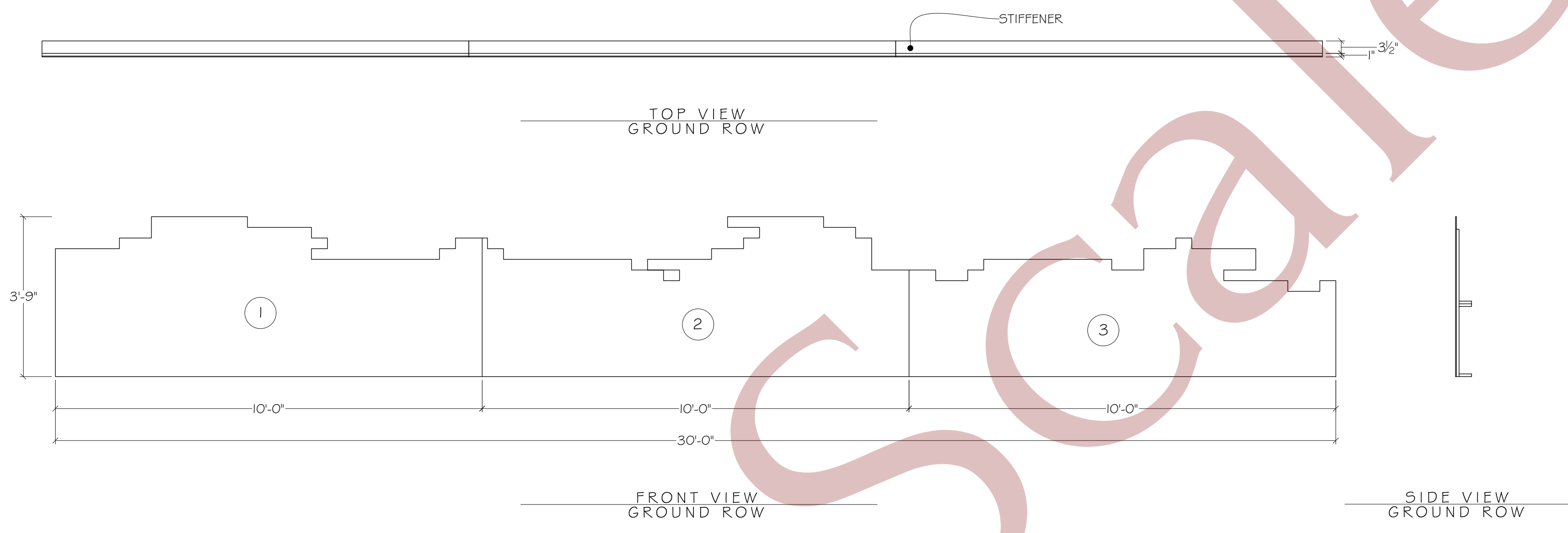
FRONT VIEW  
RAILING



TOP VIEW  
RAILING



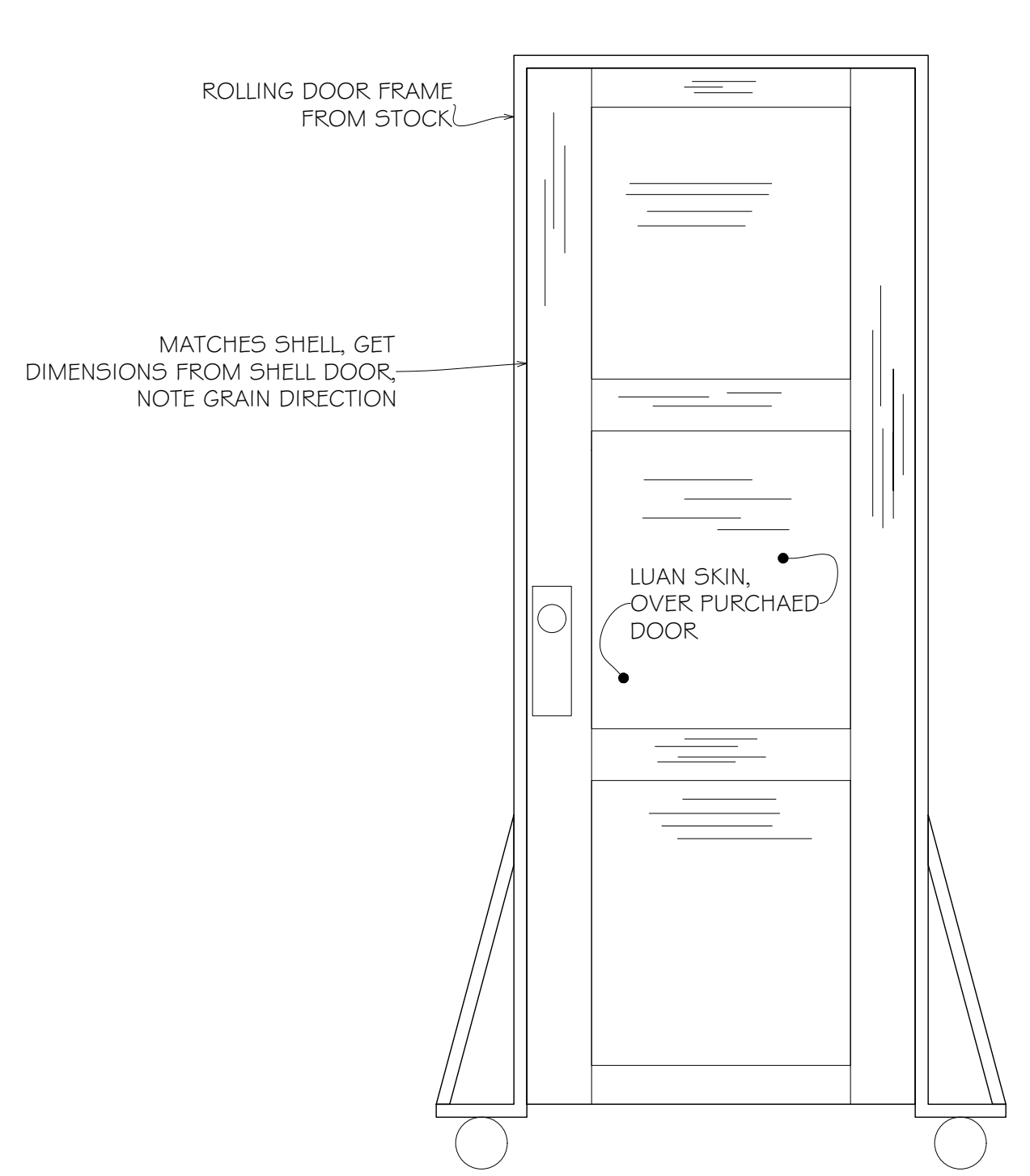
SECTION M-M  
RAILING



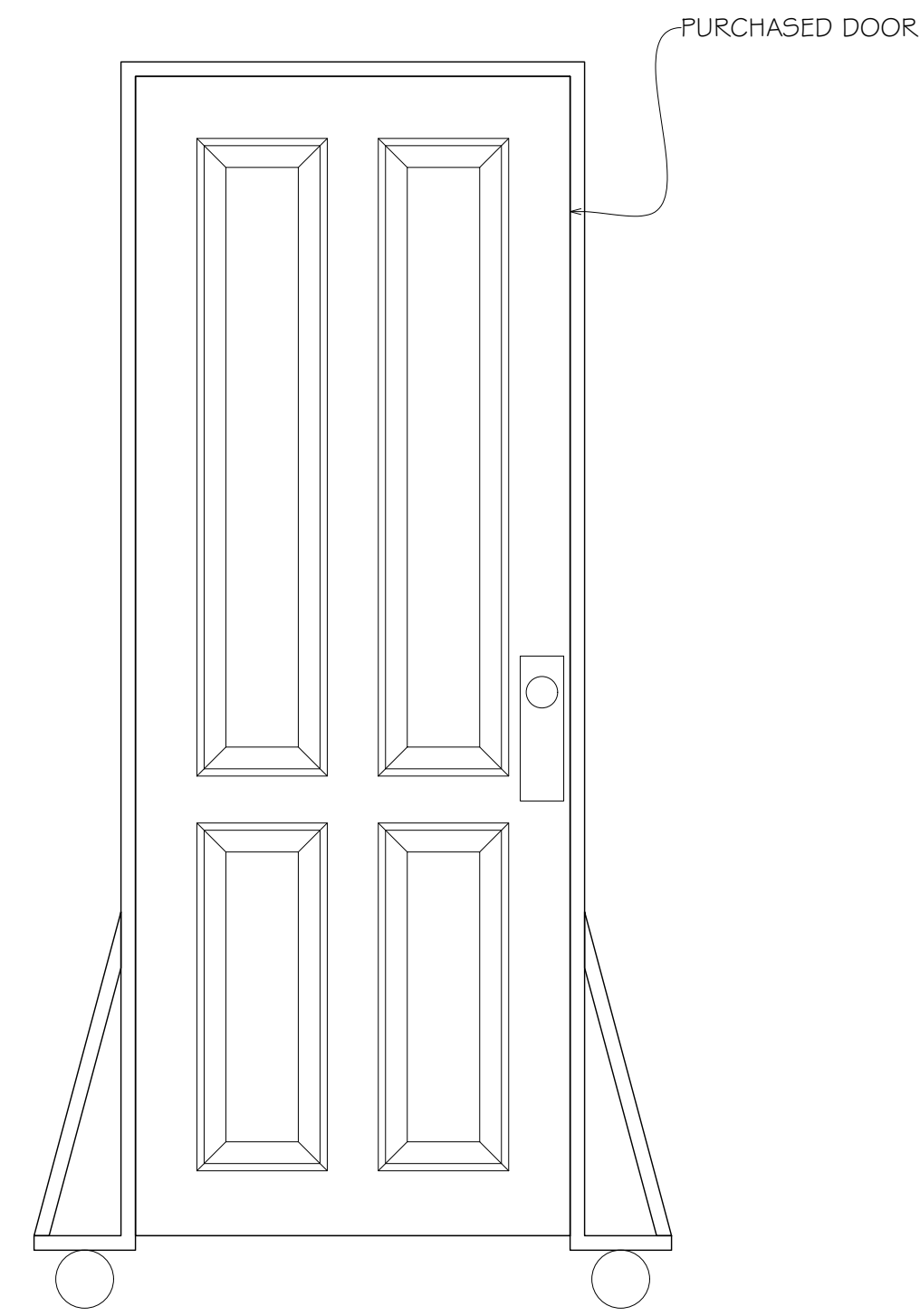
ATTACH STIFFENERS WITH ANGLE IRON, BOLT TOGETHER WITH WING KNOTS

KEYSTONES AND CORNER BLOCKS REMOVED FOR CLARITY

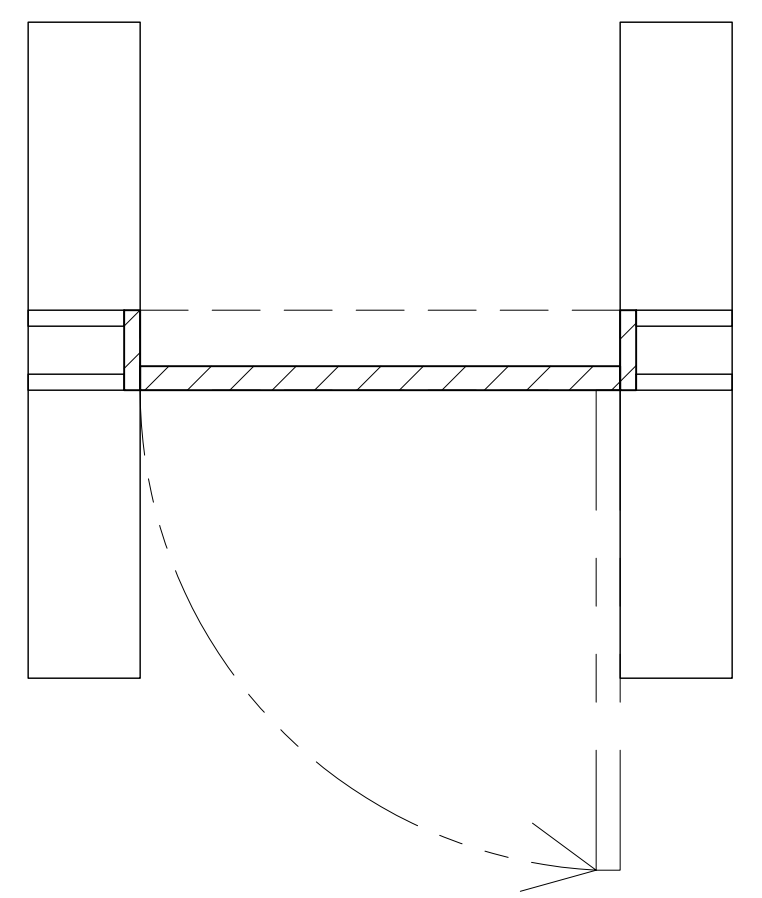
Indiana University Summer Theatre		9
THE 39 STEPS GROUNDROW		
DESIGNER: RACHEL ROSE BURKE	DATE: 5/22/22	
DIRECTOR: JENNY MCKNIGHT	REV DATE:	
DRAWN BY: RACHEL T. SHEARON	1" = 1'-0"	



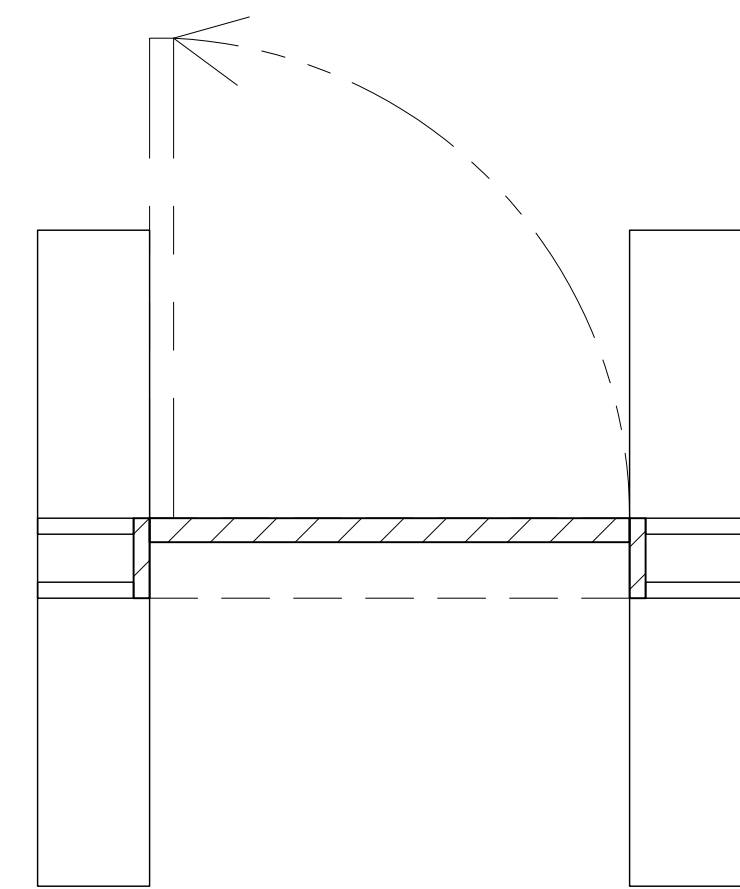
FRONT VIEW  
ROLLING DOOR



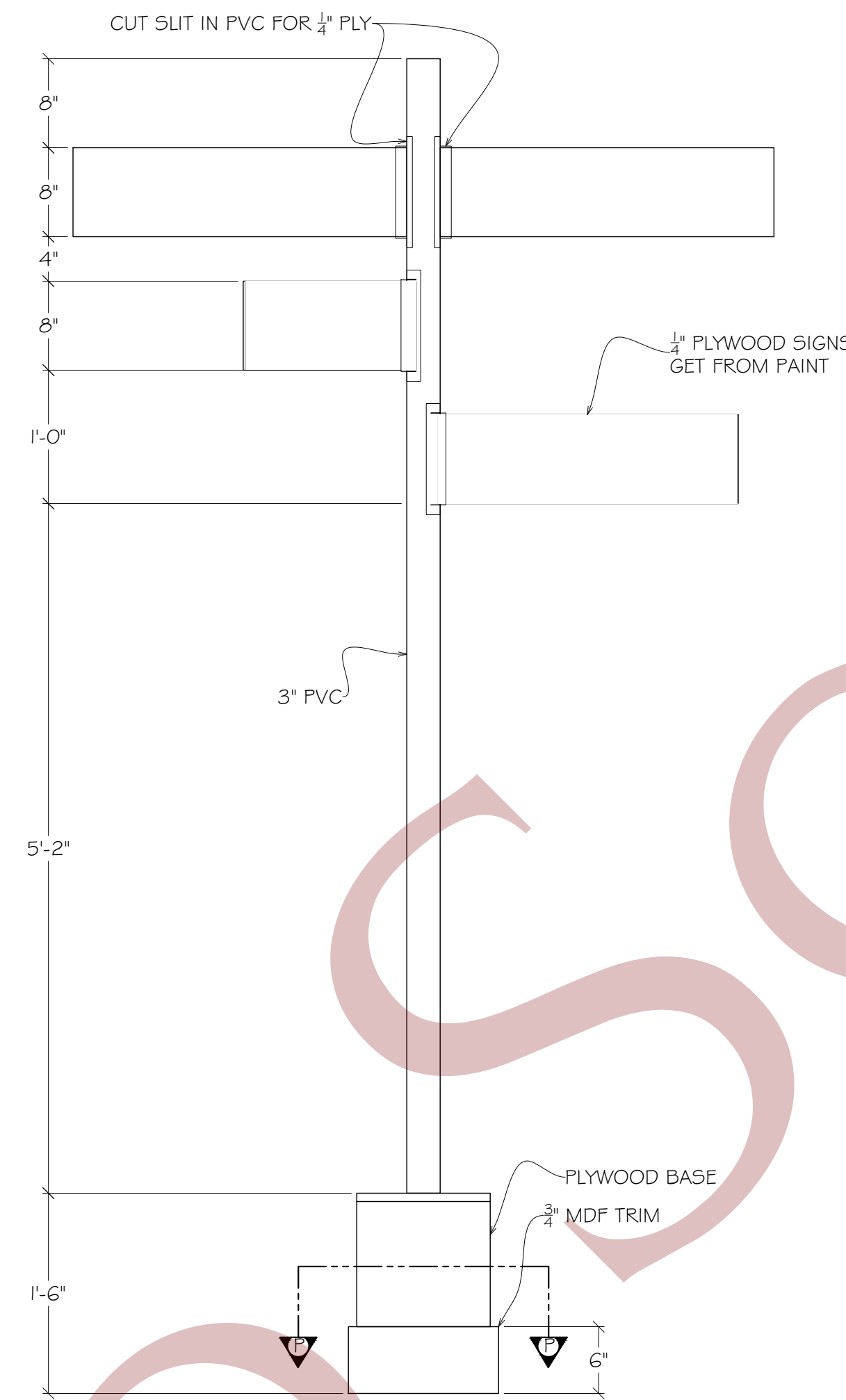
BACK VIEW  
ROLLING DOOR



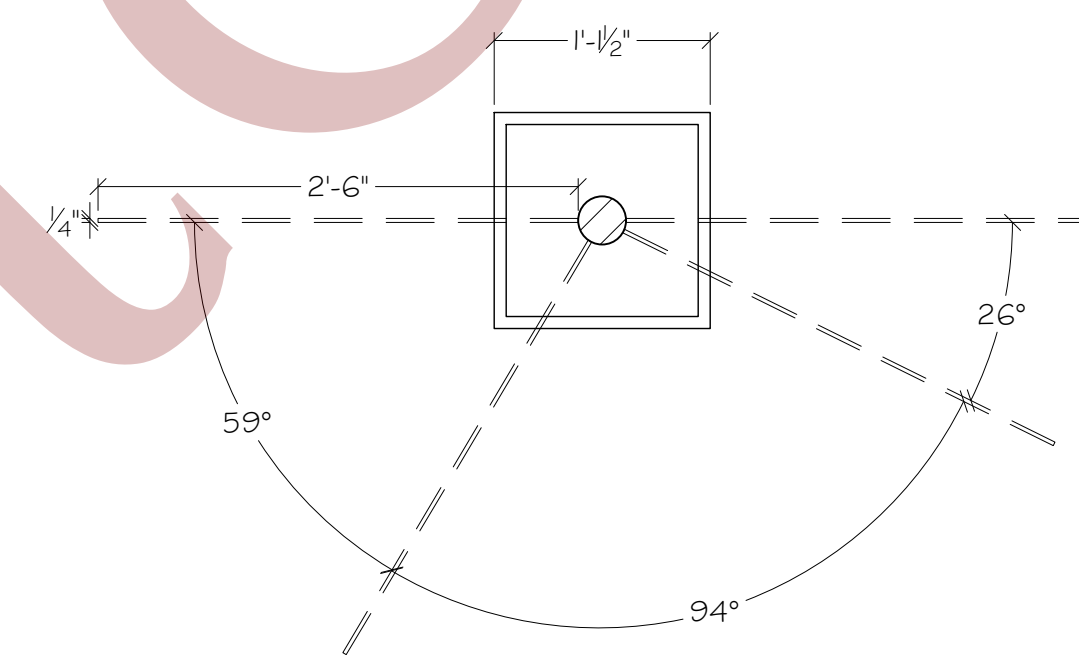
PLAN VIEW  
ROLLING DOOR  
FRONT



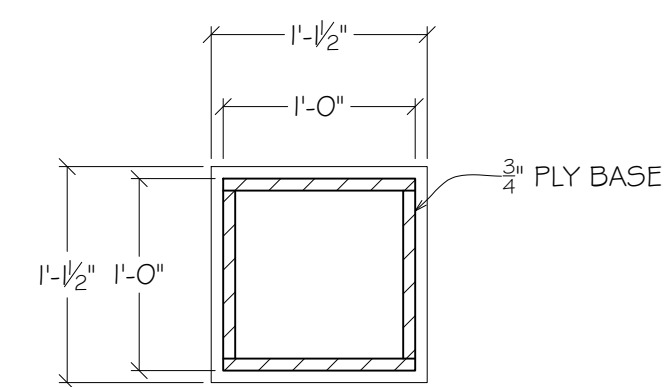
PLAN VIEW  
ROLLING DOOR  
BACK



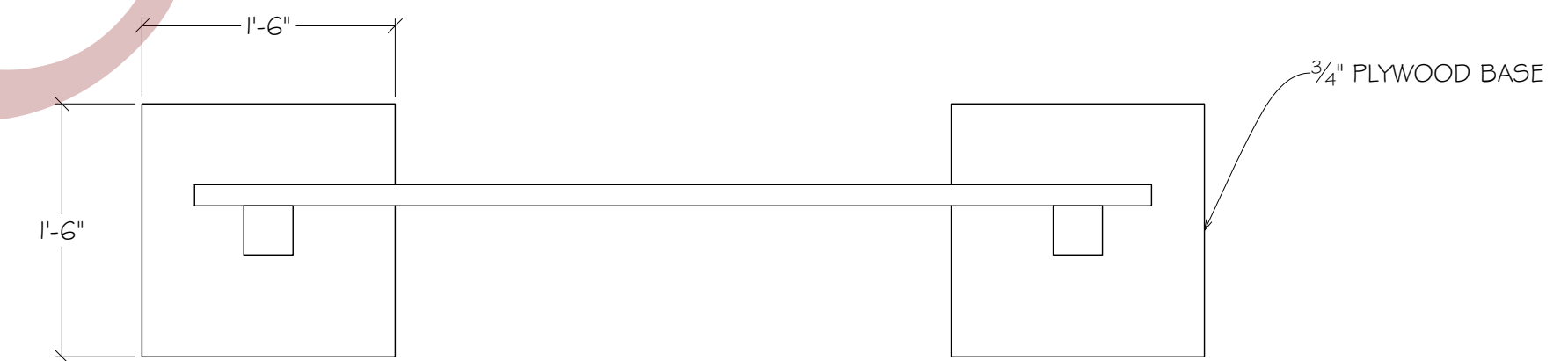
FRONT VIEW  
STREET SIGN



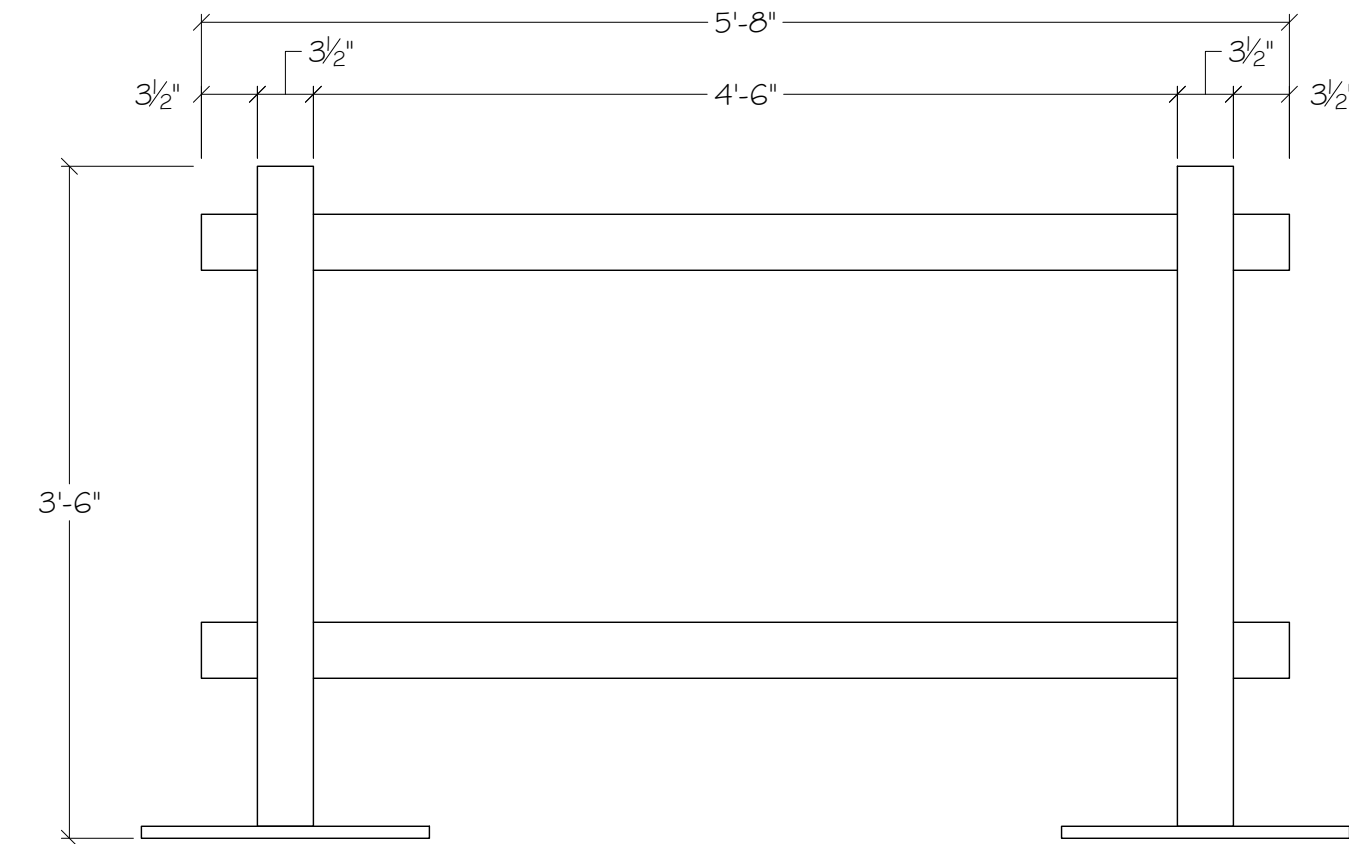
PLAN VIEW  
STREET SIGN



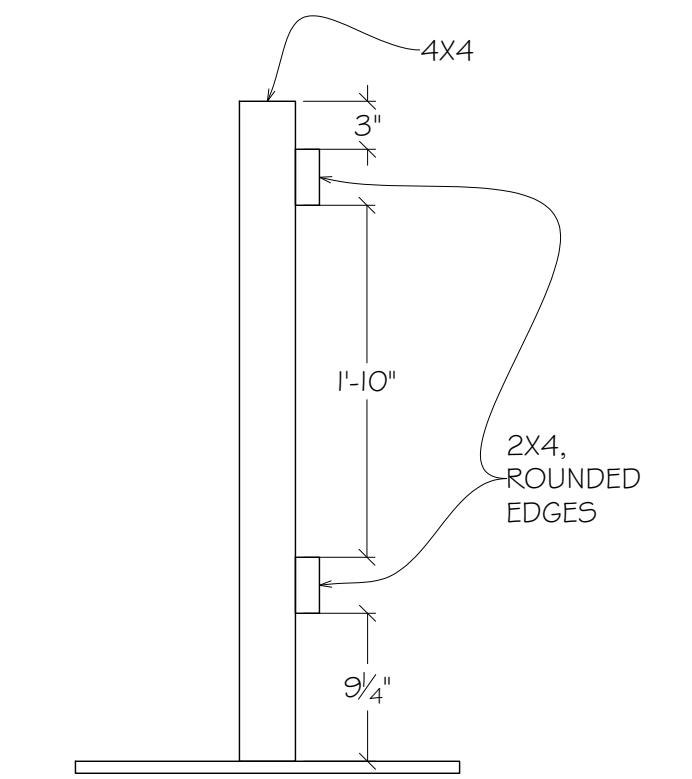
SECTION P-P  
STREET SIGN



TOP VIEW  
FENCE




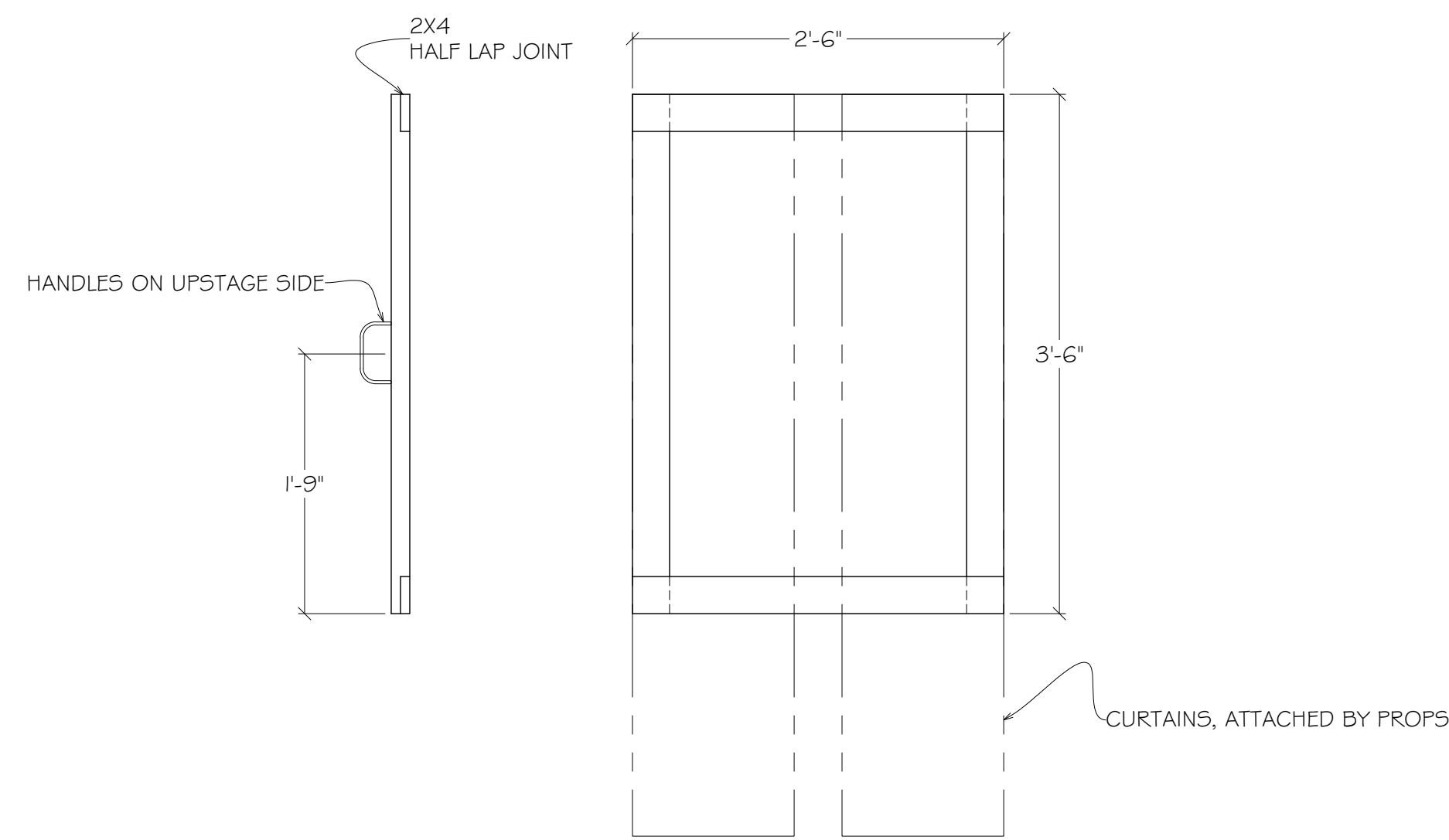
FRONT VIEW  
FENCE



SIDE VIEW  
FENCE

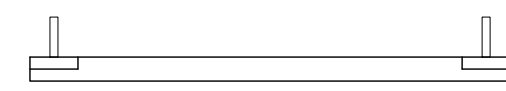
Not for Scale

Indiana University Summer Theatre			
THE 39 STEPS LARGE PROPS			
	DESIGNER: RACHEL ROSE BURKE	DATE: 5/22/22	10
DIRECTOR: JENNY MCKNIGHT	REV DATE: 6/16/22		
DRAWN BY: RACHEL T. SHEARON	1" = 1'-0"		

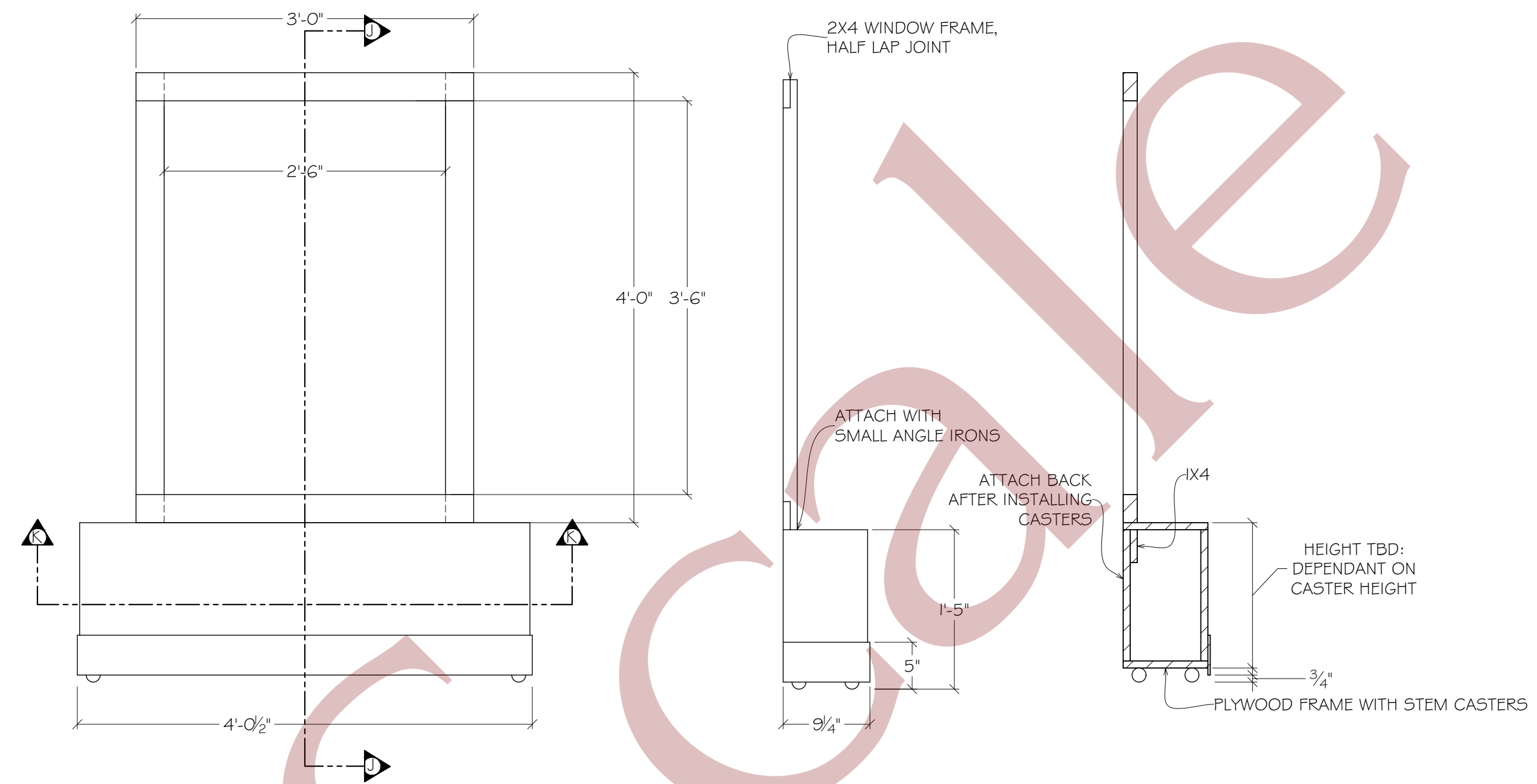


SIDE VIEW  
CROFTER WINDOW

FRONT VIEW  
CROFTER WINDOW



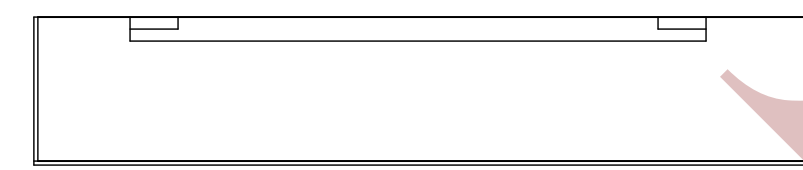
TOP VIEW  
CROFTER WINDOW



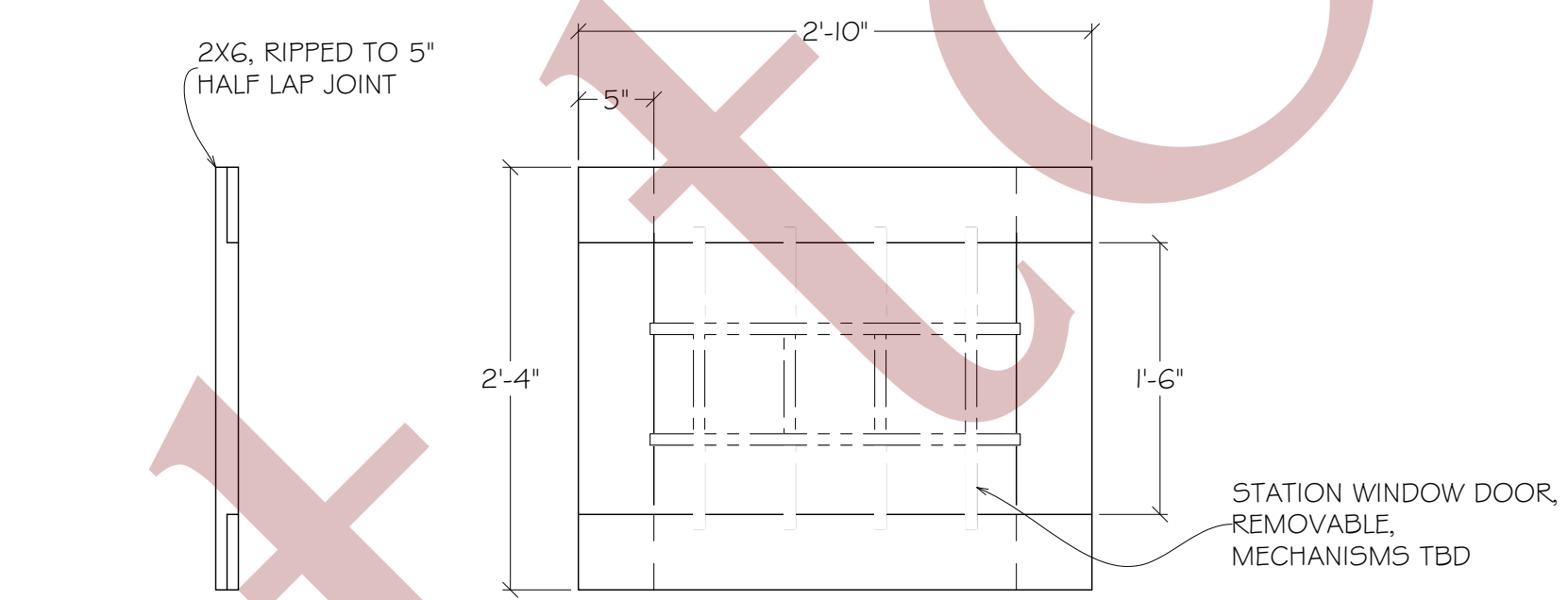
FRONT VIEW  
HANNAY WINDOW

SIDE VIEW  
HANNAY WINDOW

SECTION J-J  
HANNAY WINDOW

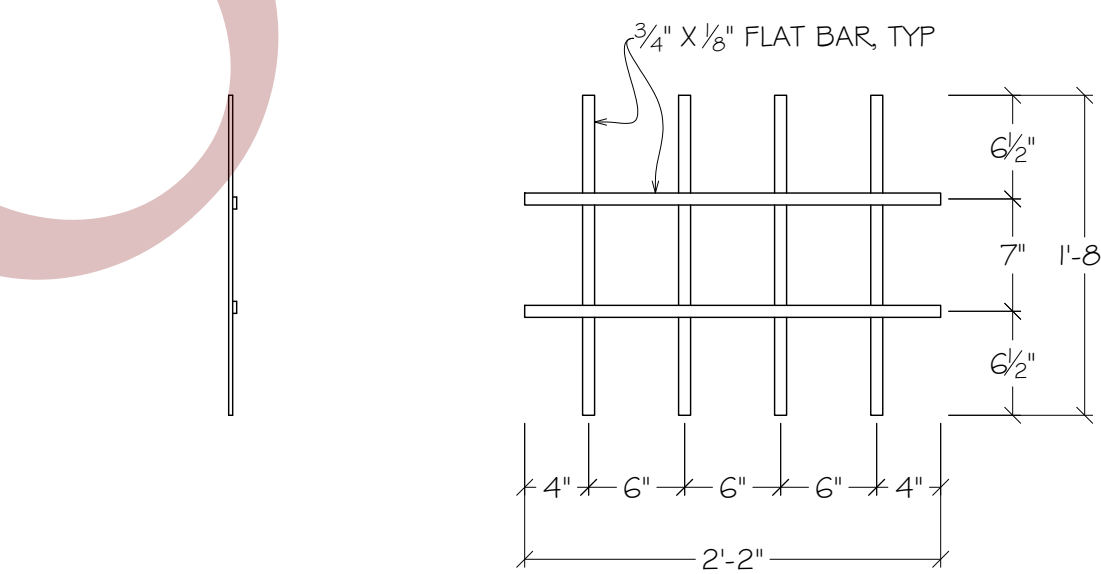


TOP VIEW  
HANNAY WINDOW



SIDE VIEW  
STATION WINDOW

FRONT VIEW  
STATION WINDOW



SIDE VIEW  
STATION WINDOW  
DOOR

FRONT VIEW  
STATION WINDOW  
DOOR

Indiana University Summer Theatre		THE 39 STEPS WINDOWS	
DESIGNER: RACHEL ROSE BURKE	DATE: 5/22/22		
DIRECTOR: JENNY MCKNIGHT	REV DATE:		
DRAWN BY: RACHEL T. SHEARON	1" = 1'-0"		