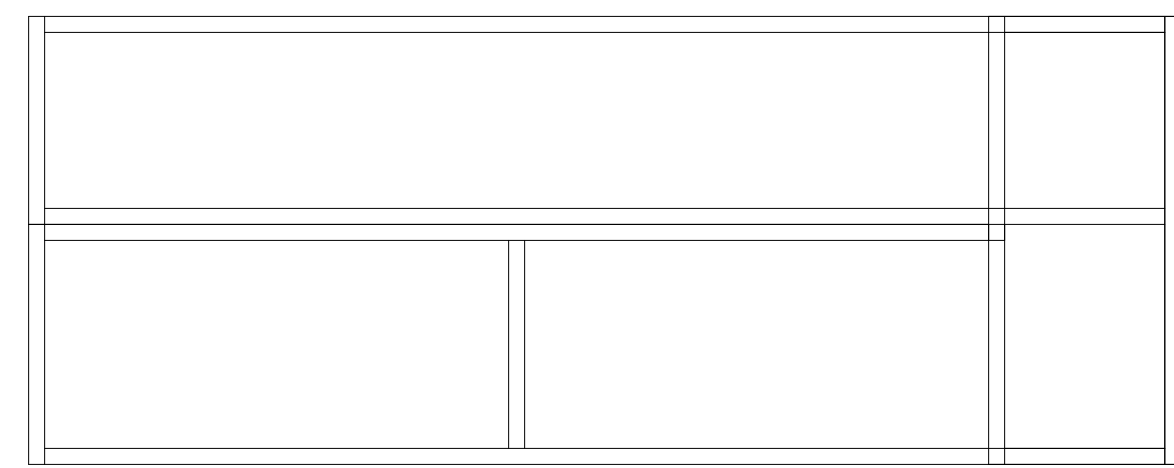
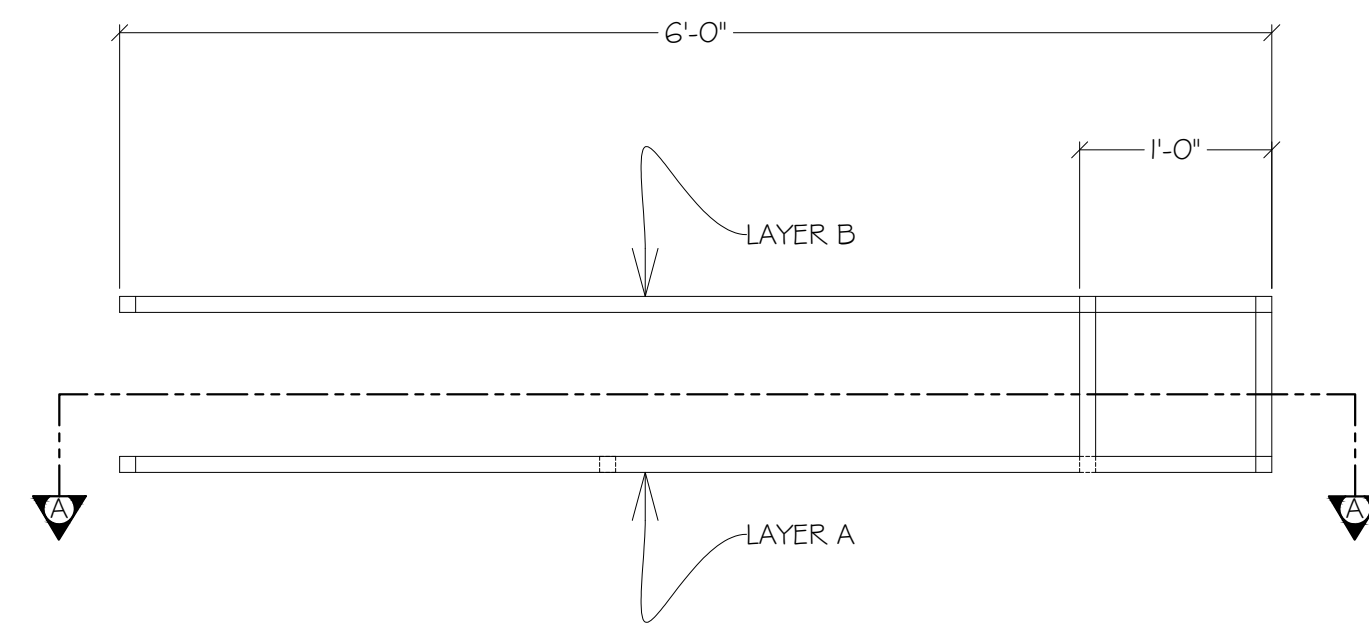


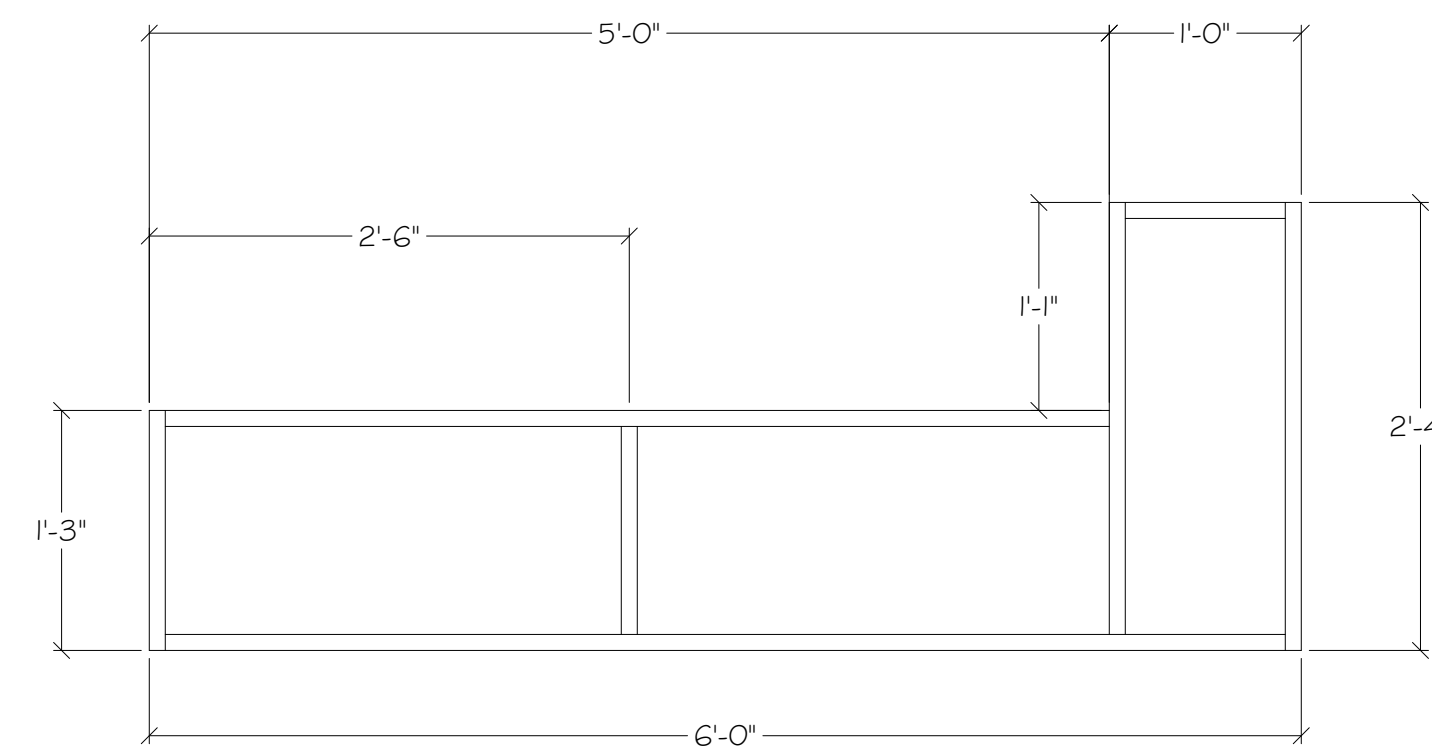
CHAIR/TABLE STEEL FRAME
SECTION A-A



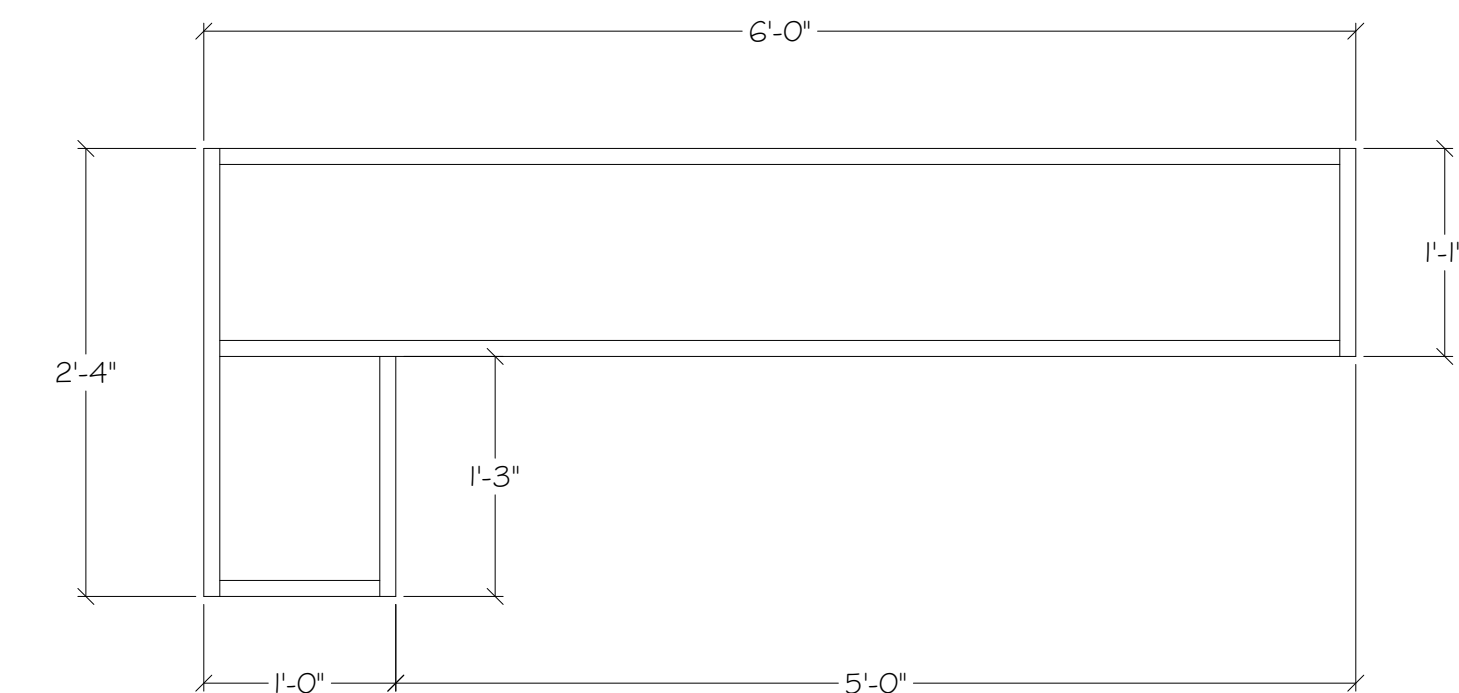
CHAIR/TABLE STEEL FRAME
TOP VIEW



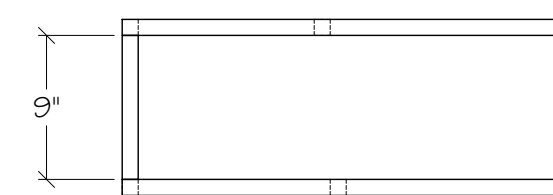
CHAIR/TABLE STEEL FRAME
FRONT VIEW



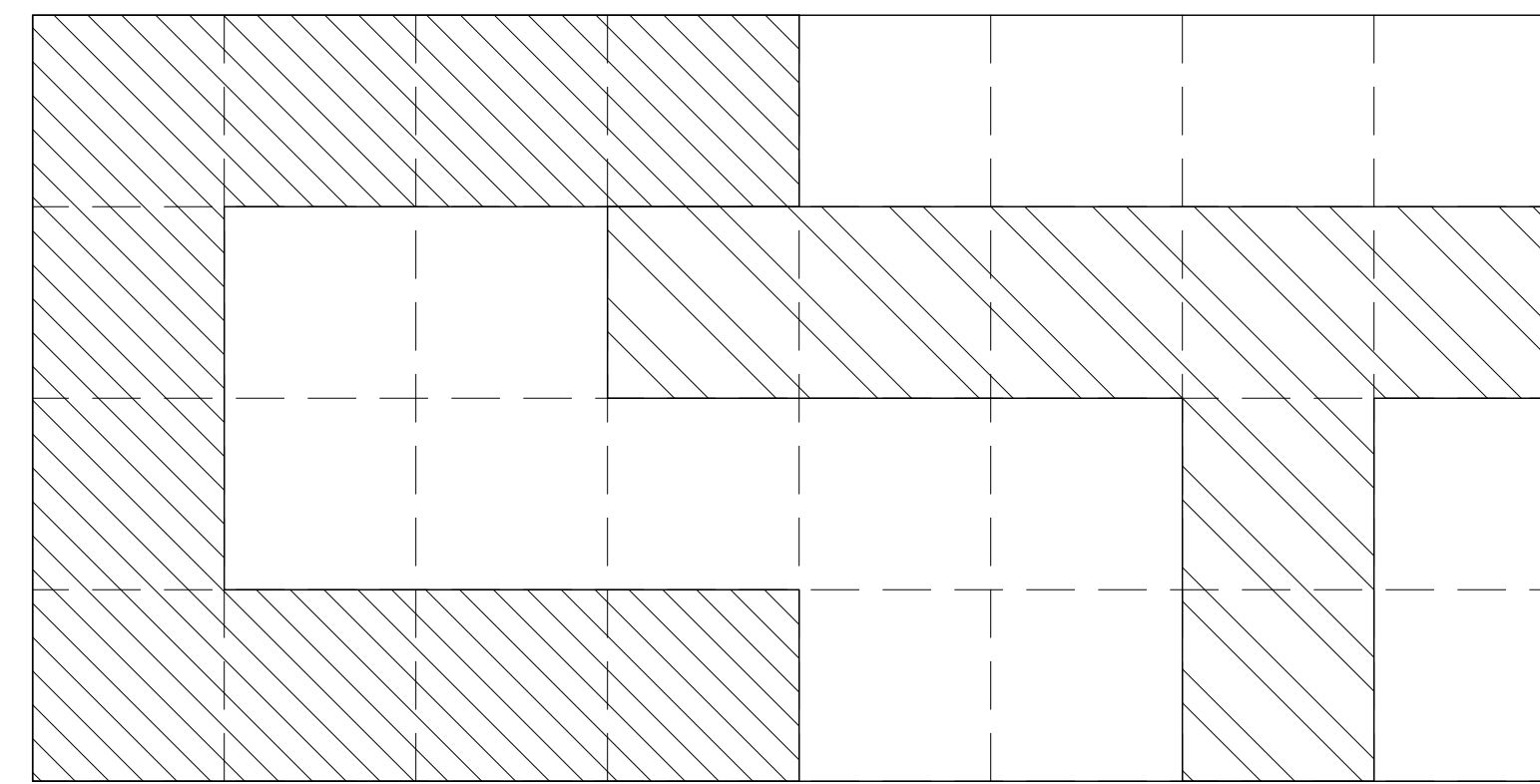
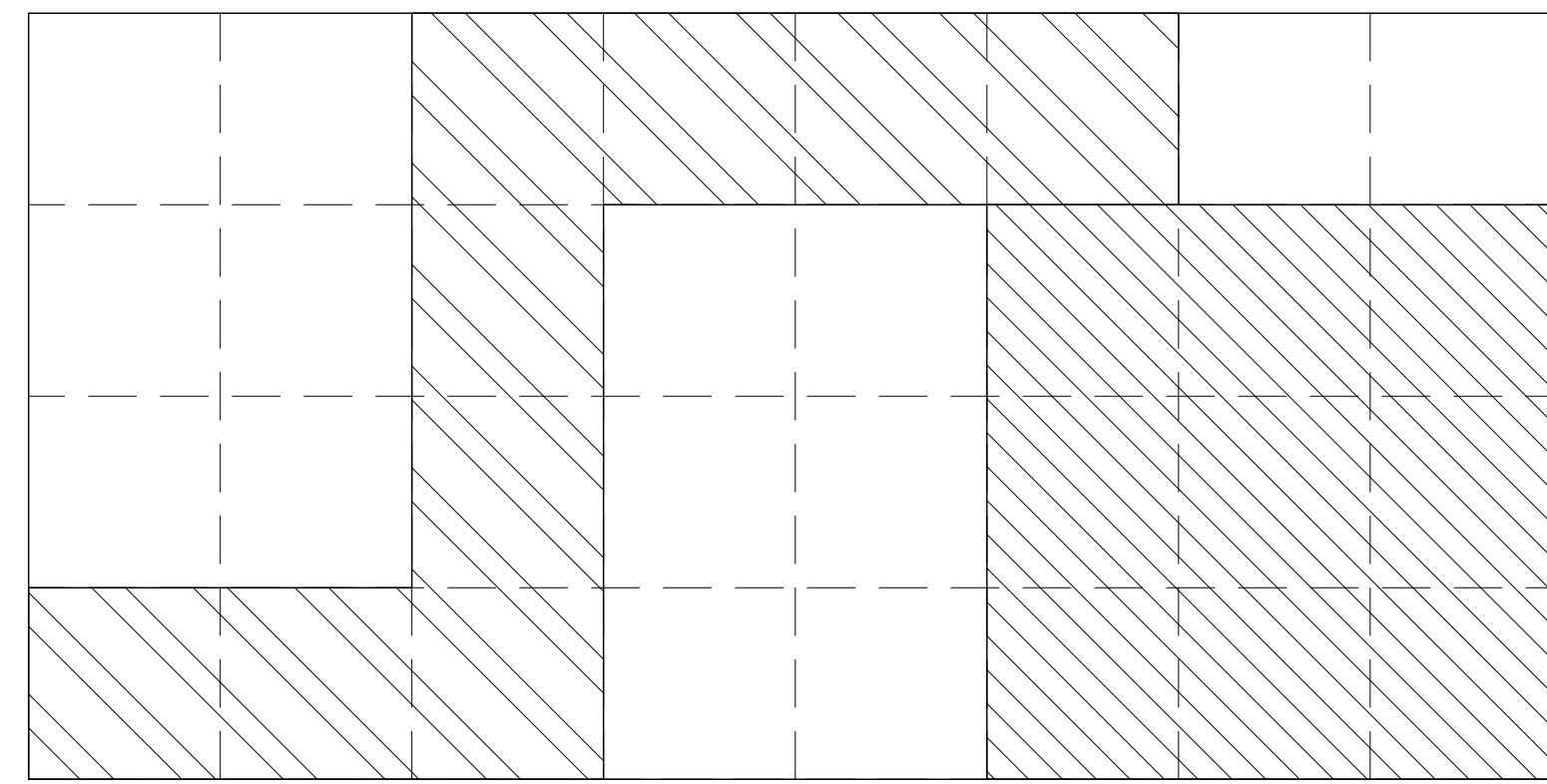
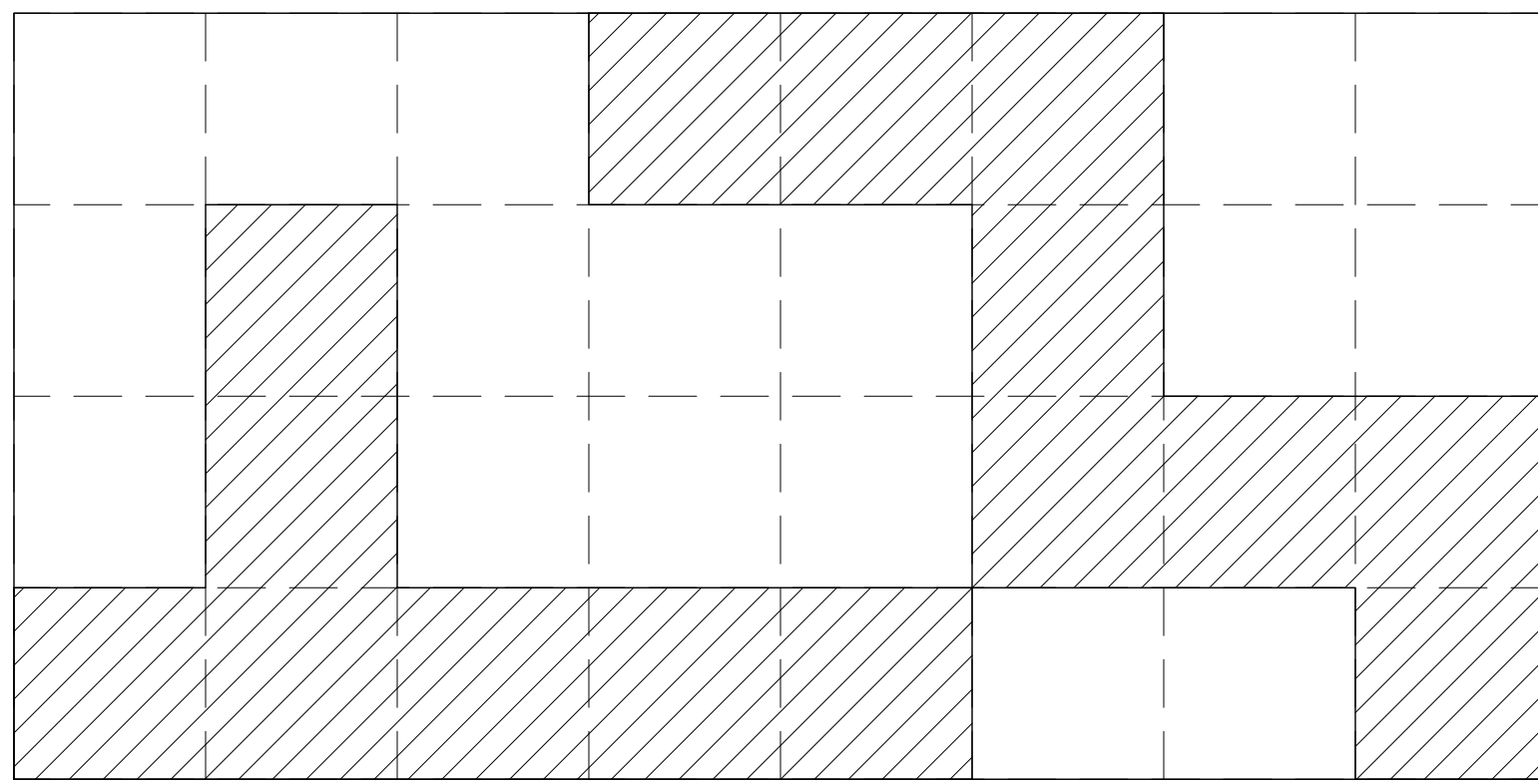
CHAIR/TABLE STEEL FRAME
LAYER A



CHAIR/TABLE STEEL FRAME
LAYER B



CHAIR/TABLE STEEL FRAME
SIDE VIEW



NOTES
 1. EACH DASHED LINE REPRESENTS 1"
 2. CUT OUT OF 1/4" OSB
 3. CREATE 2X2' SQUARES OUT OF SCRAP

