
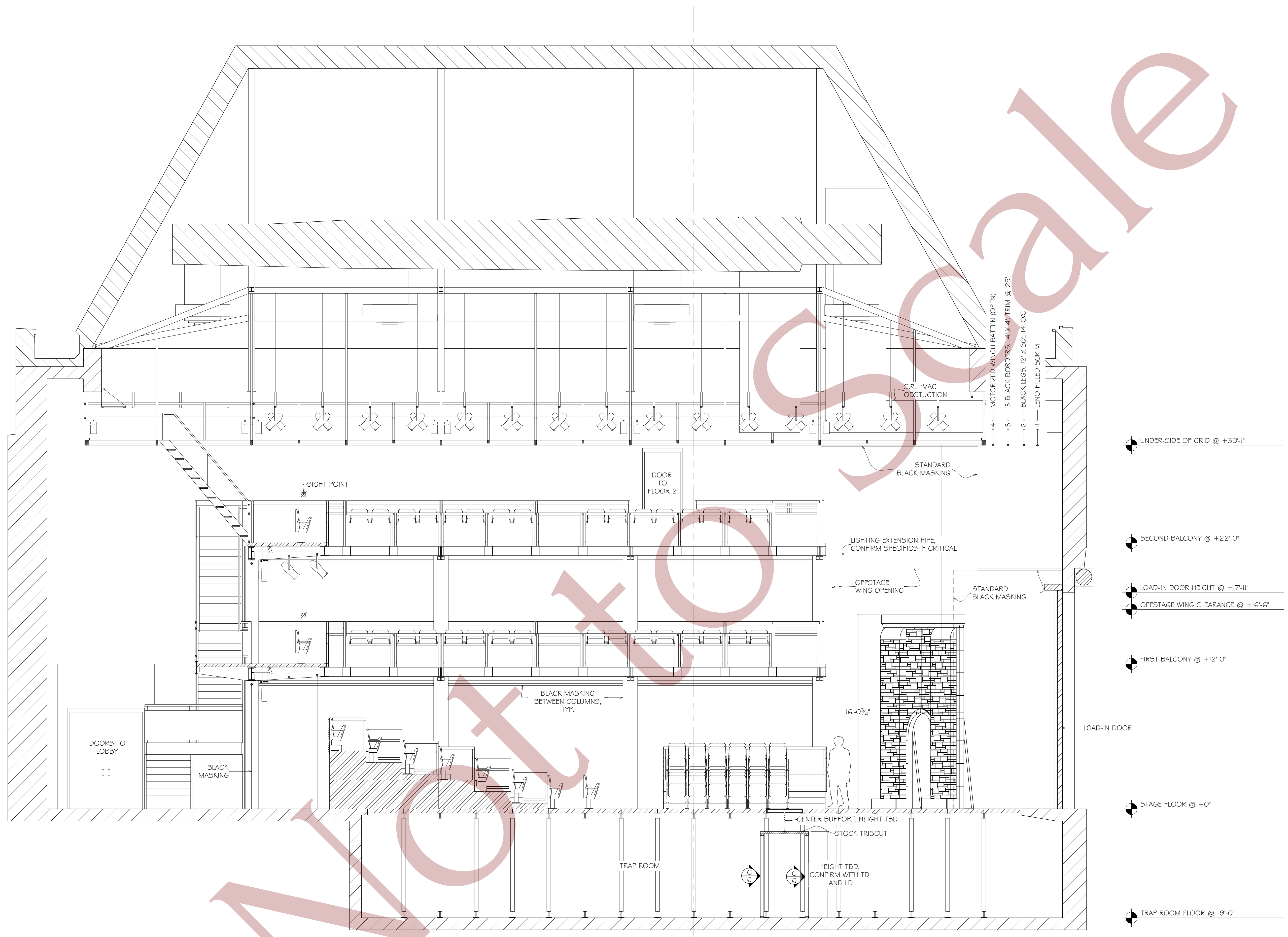



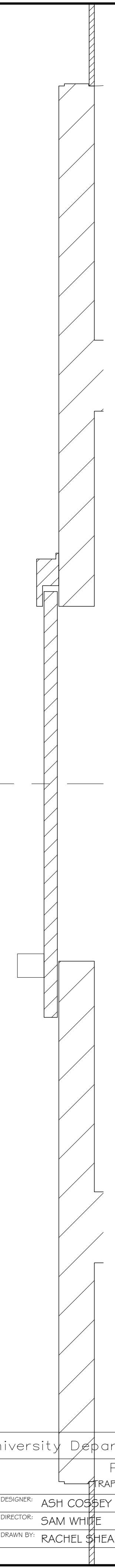
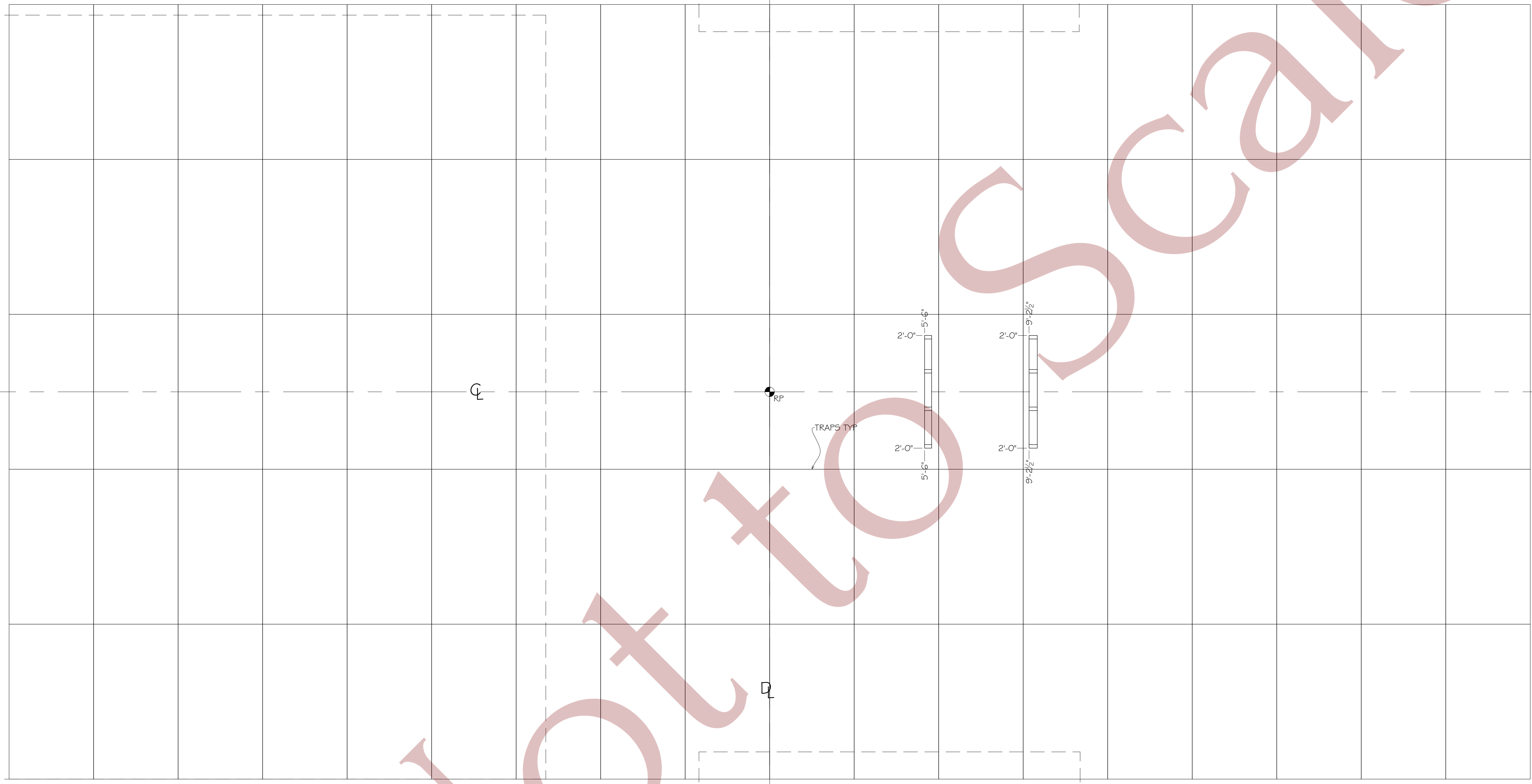
Indiana University Department of Theatre and Dance	
 THEATRE & DANCE	PIPELINE GROUNDPLAN
	DESIGNER: ASH COSSEY DATE: 1/23/24
	DIRECTOR: SAM WHITE REV. DATE:
	DRAWN BY: RACHEL SHEARON 1/4" = 1'-0"




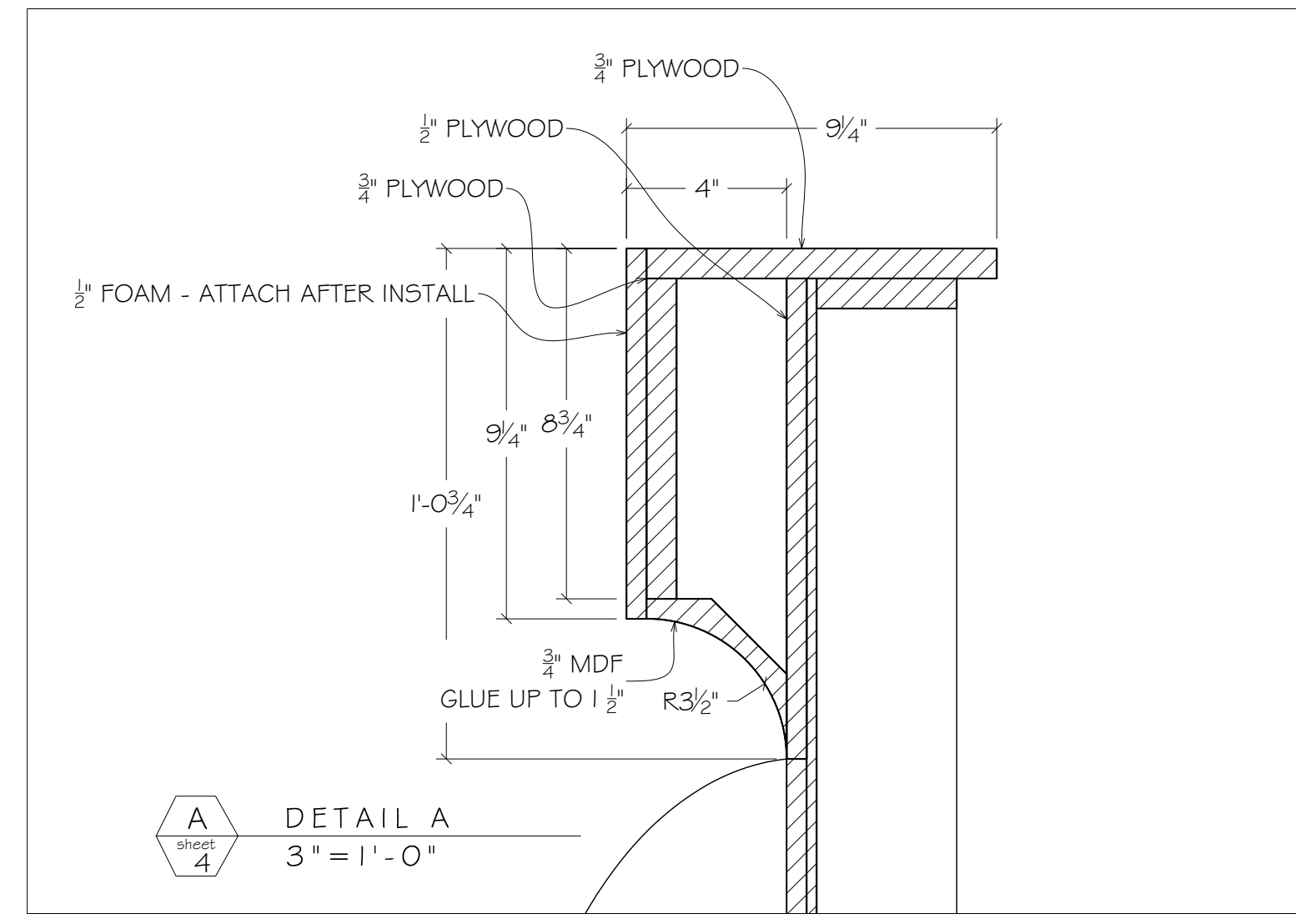
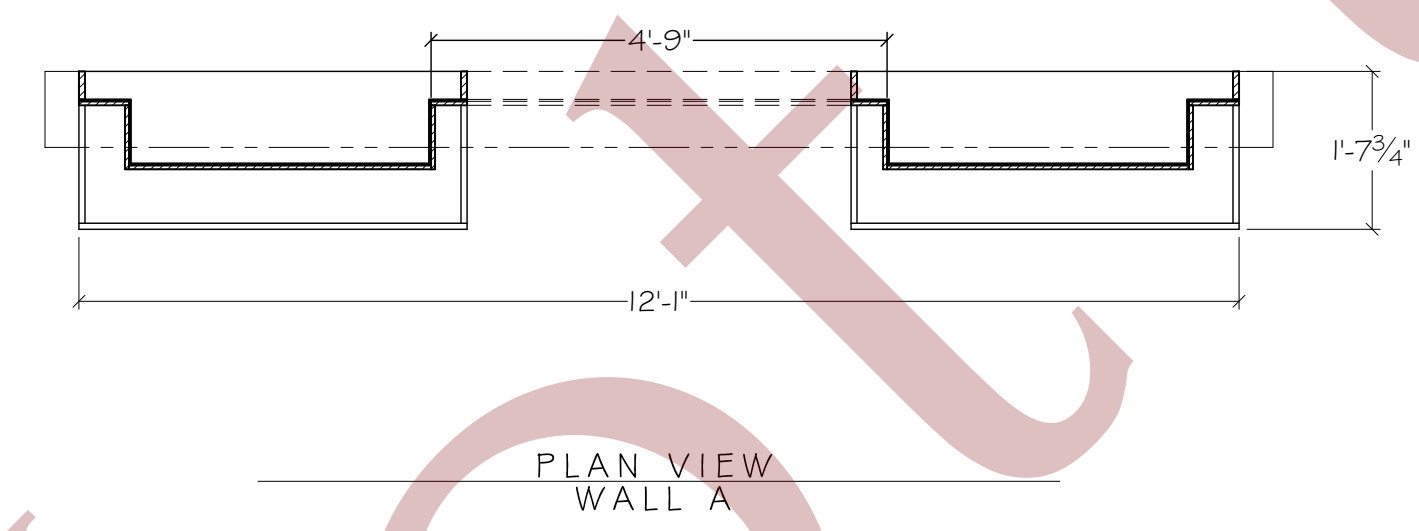
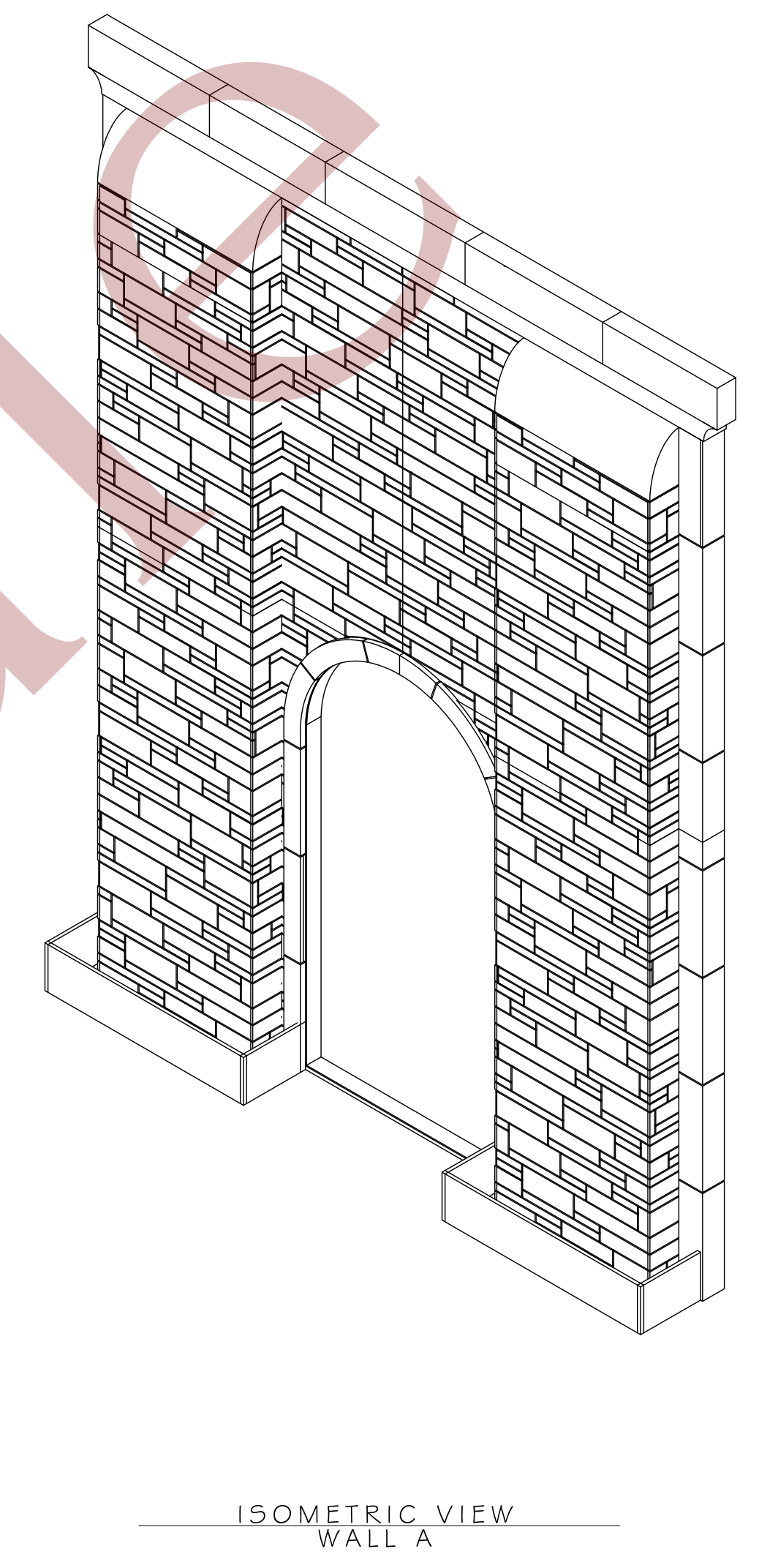
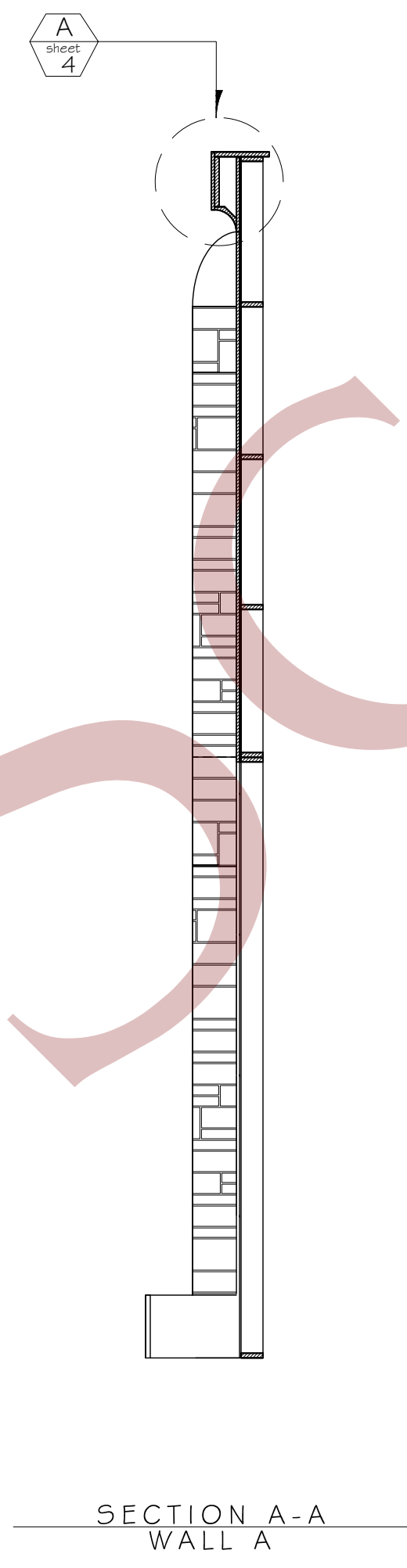
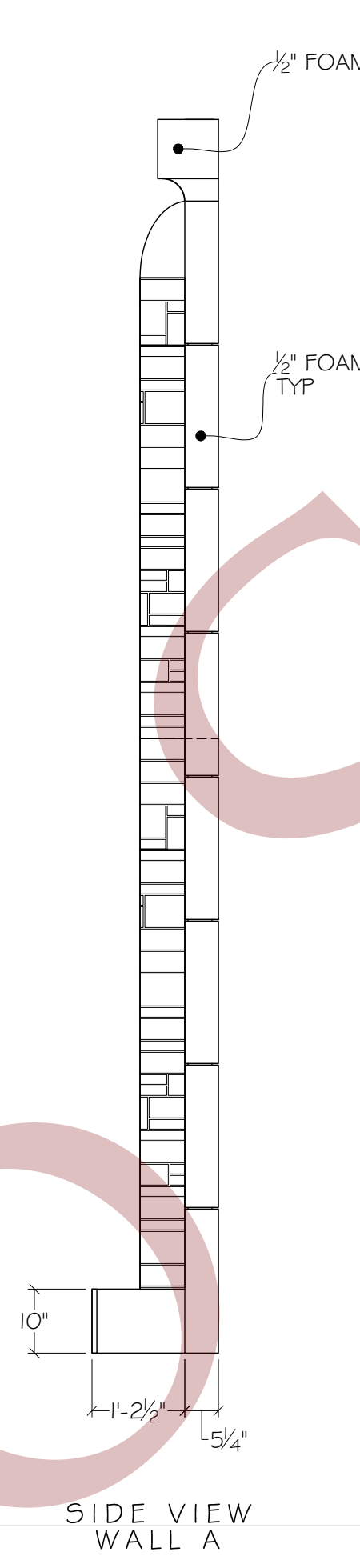
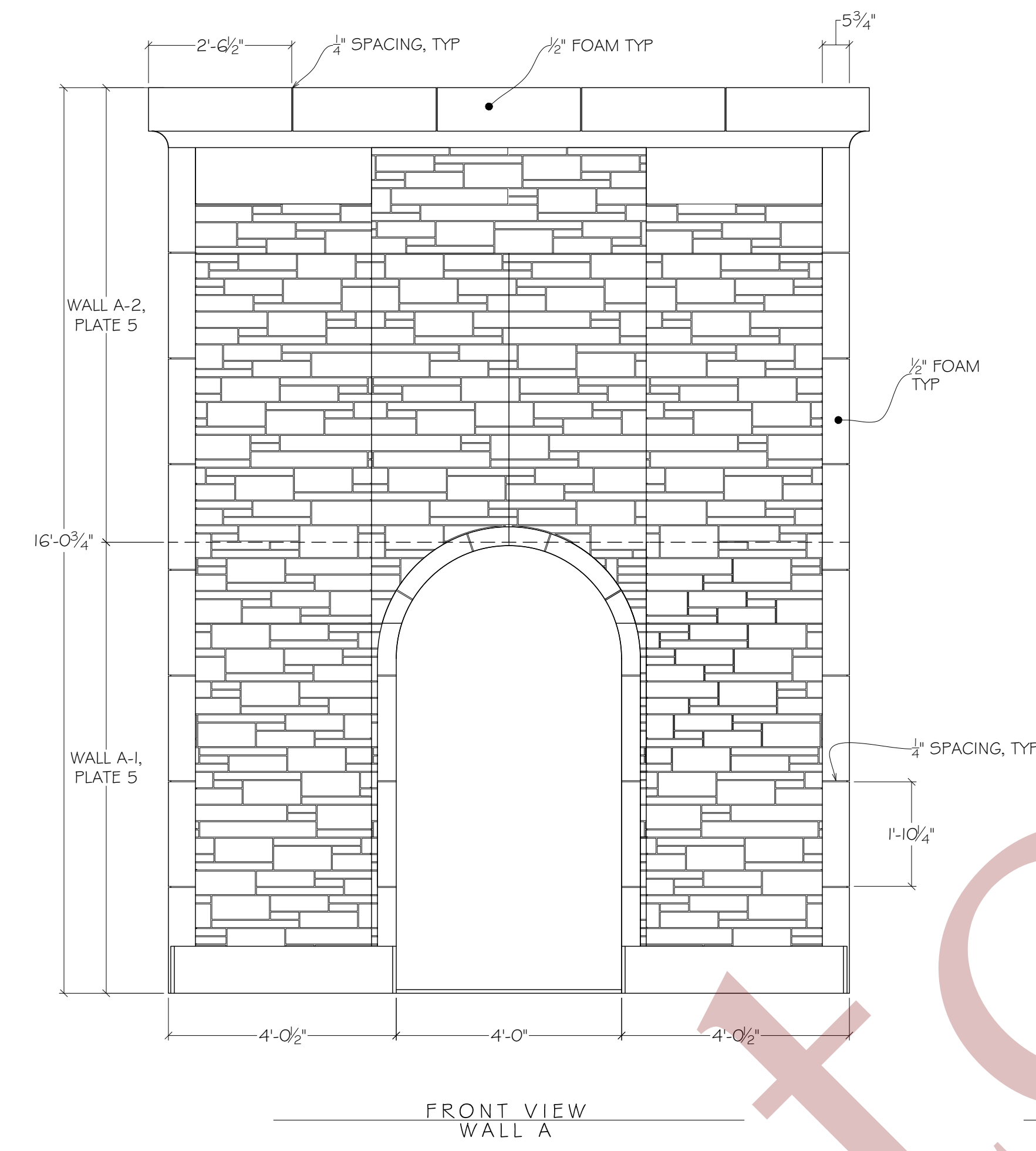
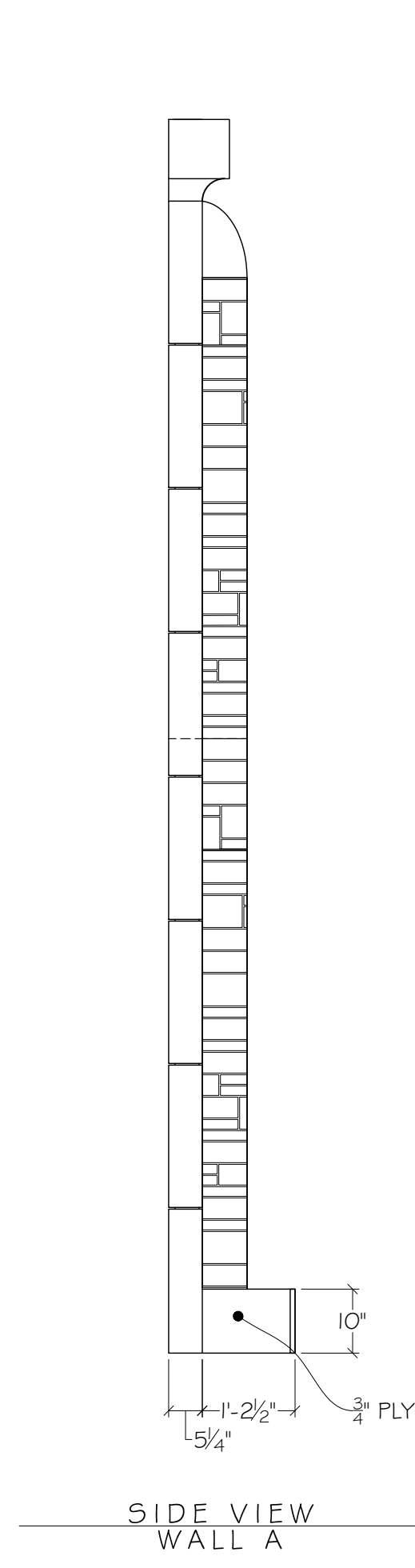
- UNDER-SIDE OF GRID @ +30'-1"
- SECOND BALCONY @ +22'-0"
- LOAD-IN DOOR HEIGHT @ +17'-11"
- OFFSTAGE WING CLEARANCE @ +16'-6"
- FIRST BALCONY @ +12'-0"
- STAGE FLOOR @ +0"
- TRAP ROOM FLOOR @ -9'-0"

Indiana University Department of Theatre and Dance		2
	PIPELINE SECTION VIEW	
DESIGNER: ASH COSSEY	DATE: 1/21/24	
DIRECTOR: SAM WHITE	REV DATE:	
DRAWN BY: RACHEL SHEARON	1/2" = 1'-0"	

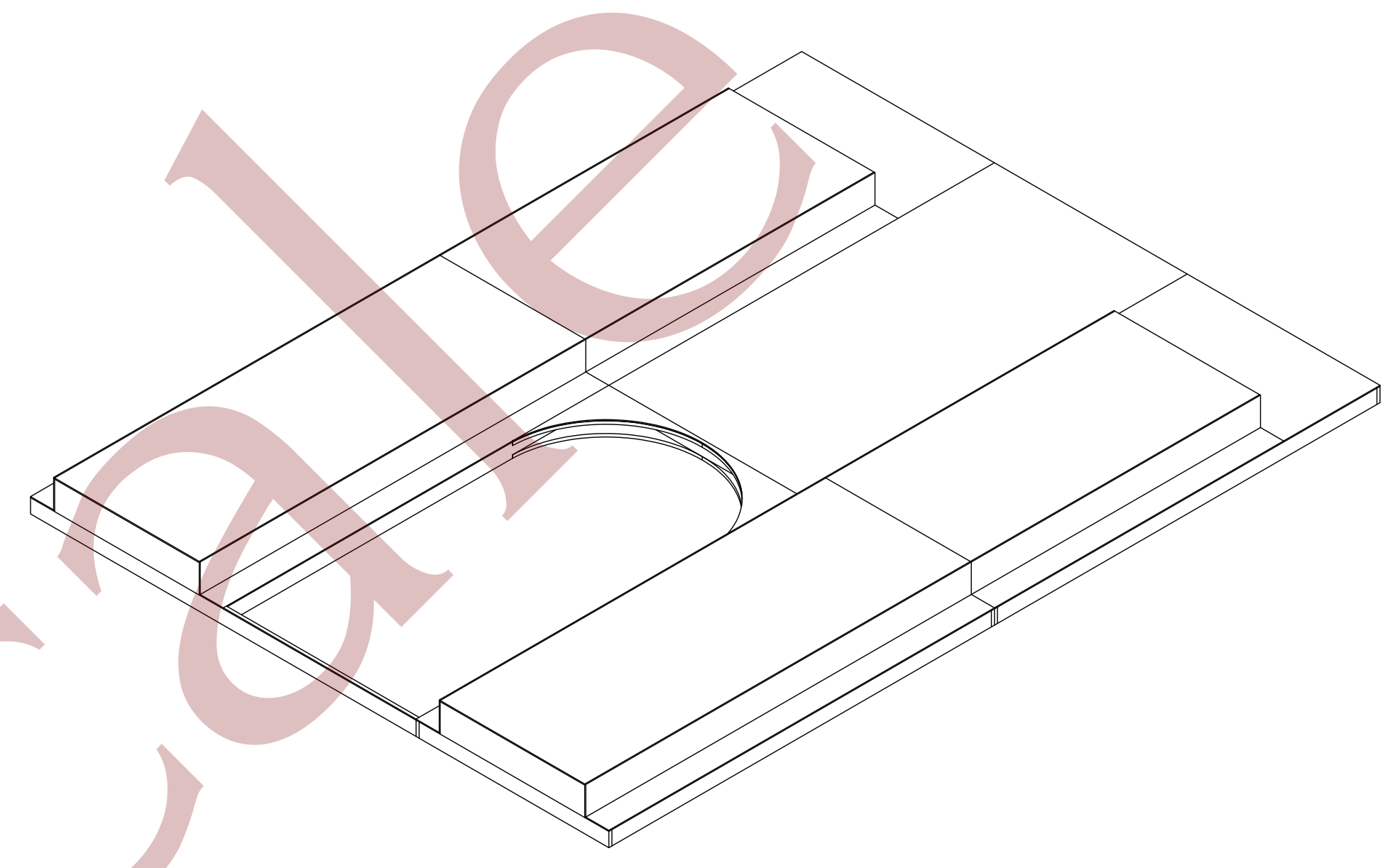
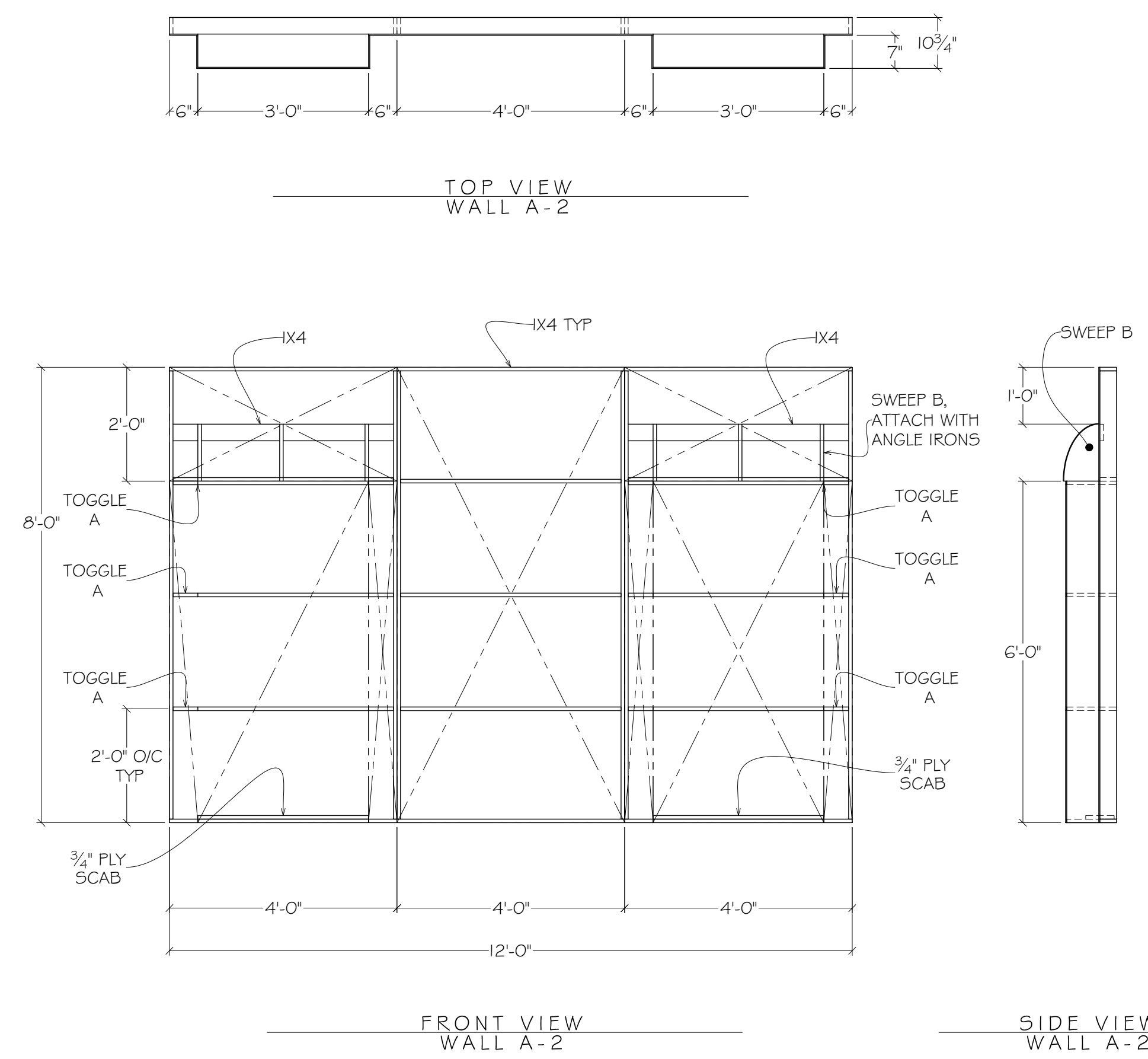
Not to Scale



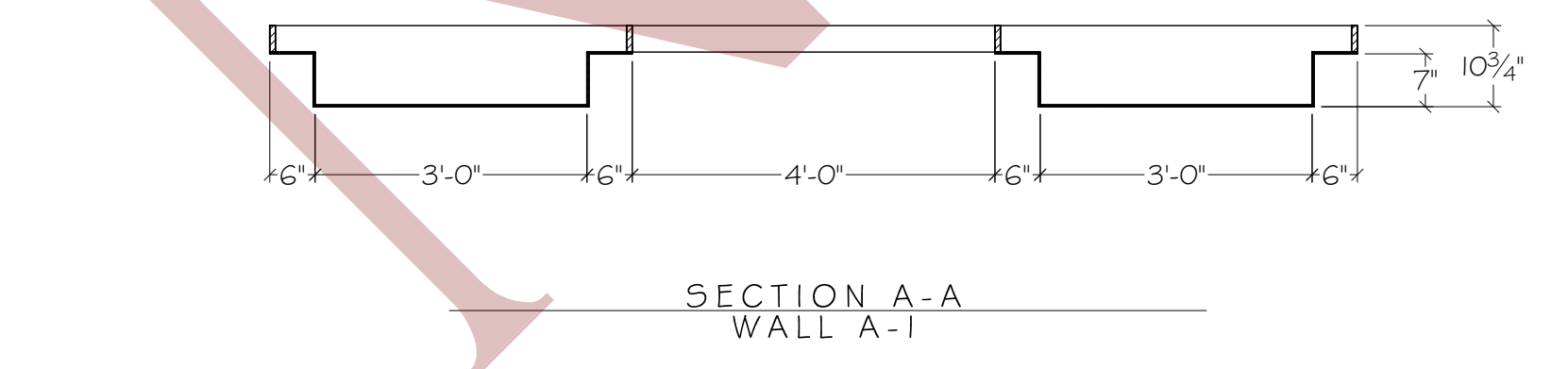
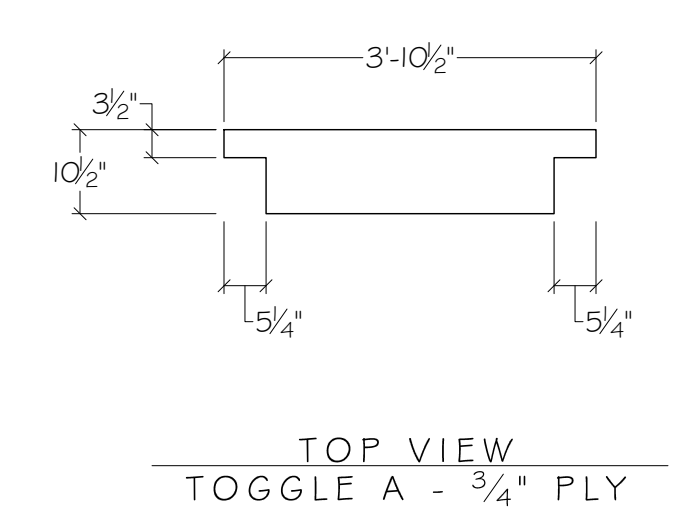
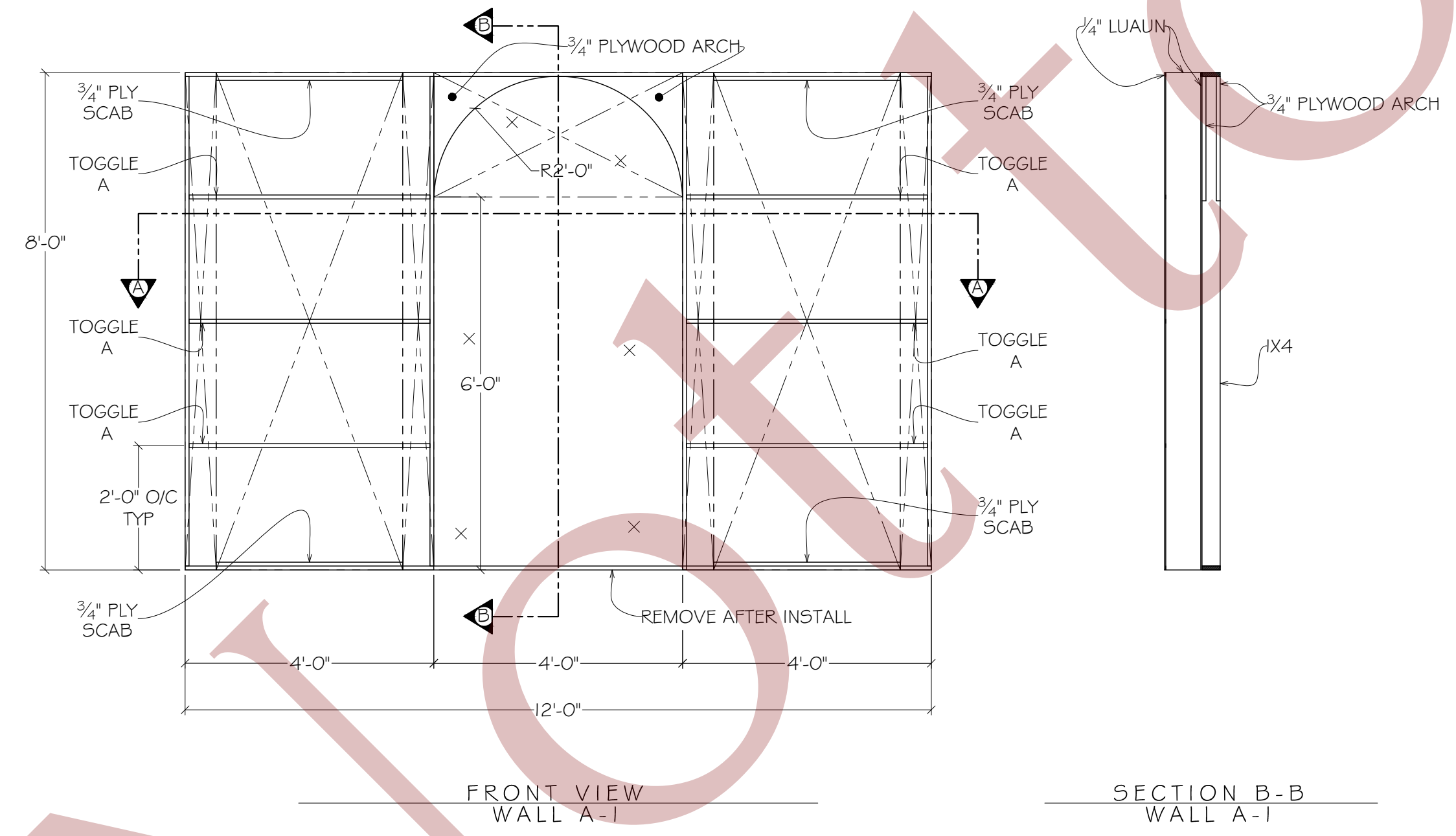
Indiana University Department of Theatre and Dance	
	PIPELINE
DESIGNER: ASH COSSEY	DATE: 1/21/24
DIRECTOR: SAM WHITE	REV DATE:
DRAWN BY: RACHEL SHEARON	1/2" = 1'-0"



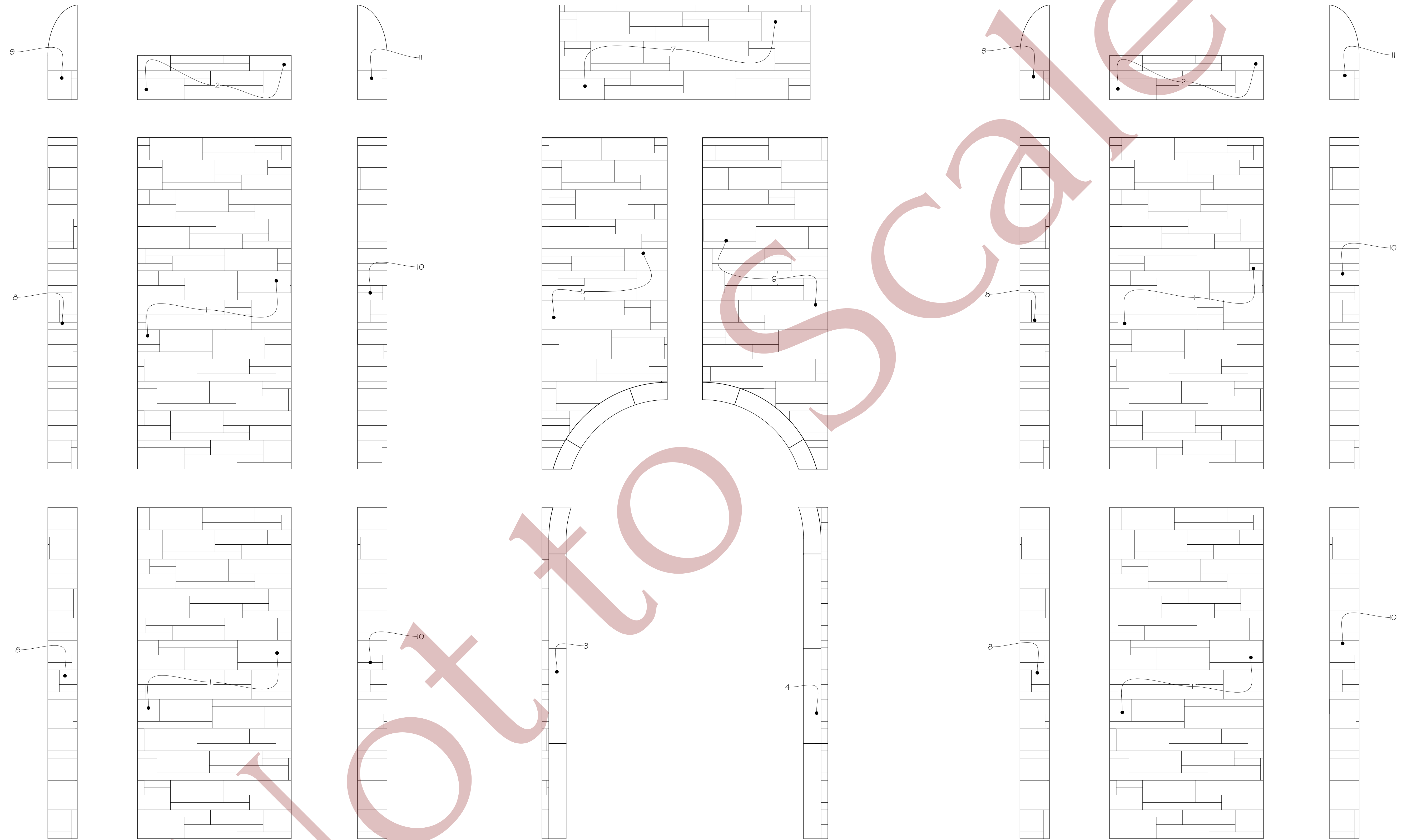
Indiana University Department of Theatre and Dance		4
PIPELINE WALL A COMPOSITE		
DESIGNER: ASH COSSEY	DATE: 1/23/24	
DIRECTOR: SAM WHITE	REV DATE:	
DRAWN BY: RACHEL SHEARON	1/2" = 1'-0"	

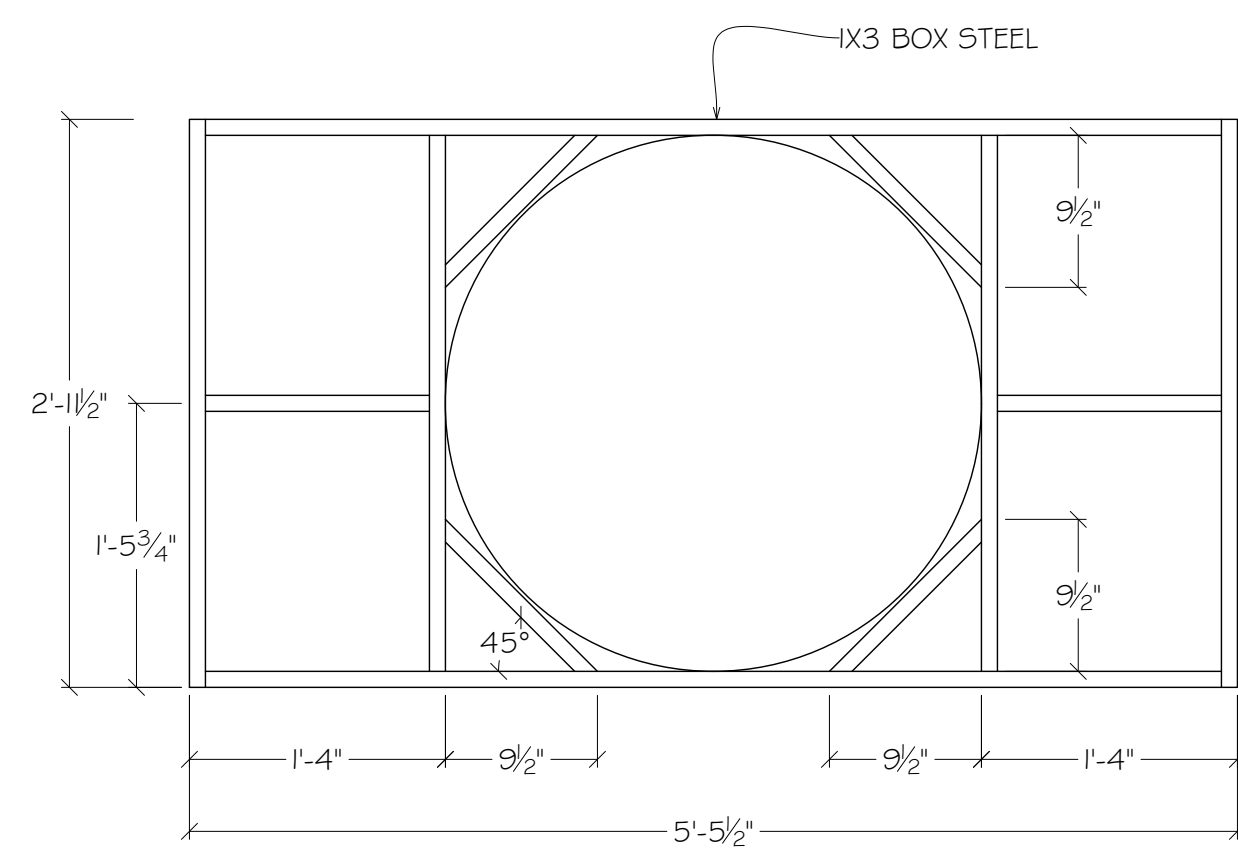


- NOTES:
- BUILD 2
 - 1X4 FRAME
 - GLUE AND MEDIUM CROWN STAPLE FRAME
 - CENTER TOGGLES; 3/4" PLY WHERE NOTED
 - BOTTOM AND TOP RAILS; 1X4 WITH 3/4" ADD ON TO MATCH TOGGLE SHAPE
 - SKIN ALL FRONT AND SIDE FACES WITH 1/4" LUAUN
 - SKIN SWEEP B WITH 1/8" BENDY PLY
 - BOTTOM AND TOP RAILS; 1X4 WITH 3/4" ADD ON TO MATCH TOGGLE SHAPE
 - BOLT TOGETHER AFTER SKINNING

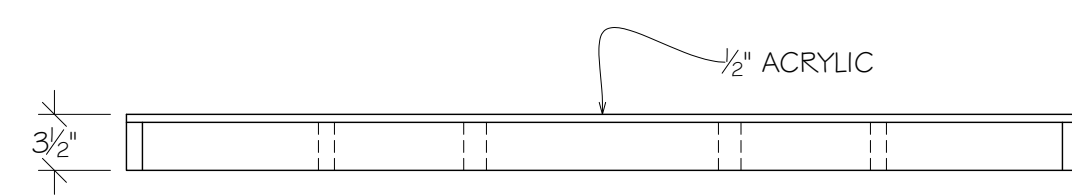


Indiana University Department of Theatre and Dance		5
	PIPELINE	
	WALL A-1 # A-2	
DESIGNER: ASH COSSEY	DATE: 1/23/24	
DIRECTOR: SAM WHITE	REV DATE:	
DRAWN BY: RACHEL SHEARON	1/2" = 1'-0"	

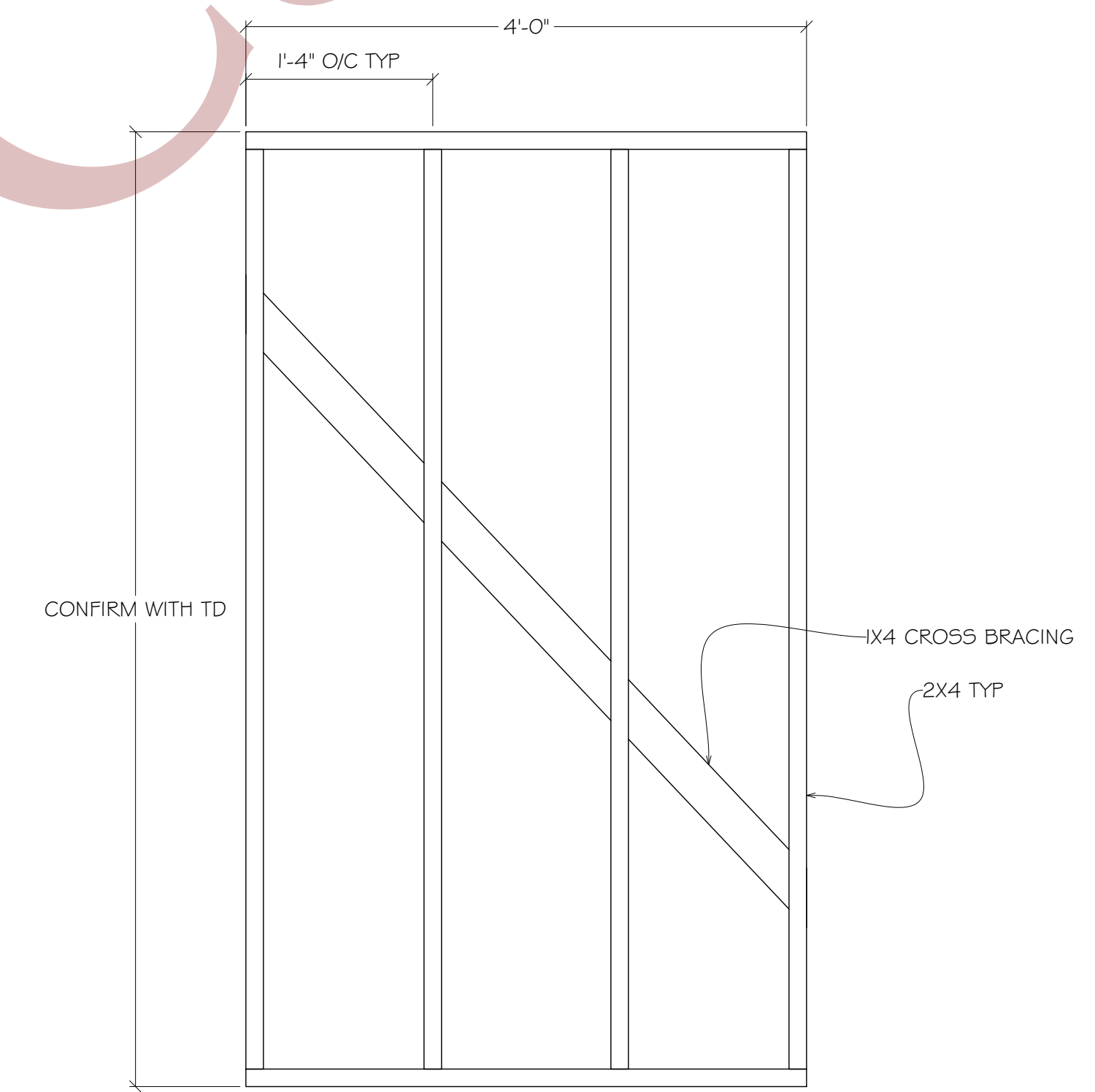





TOP VIEW
PLEXI TRAP

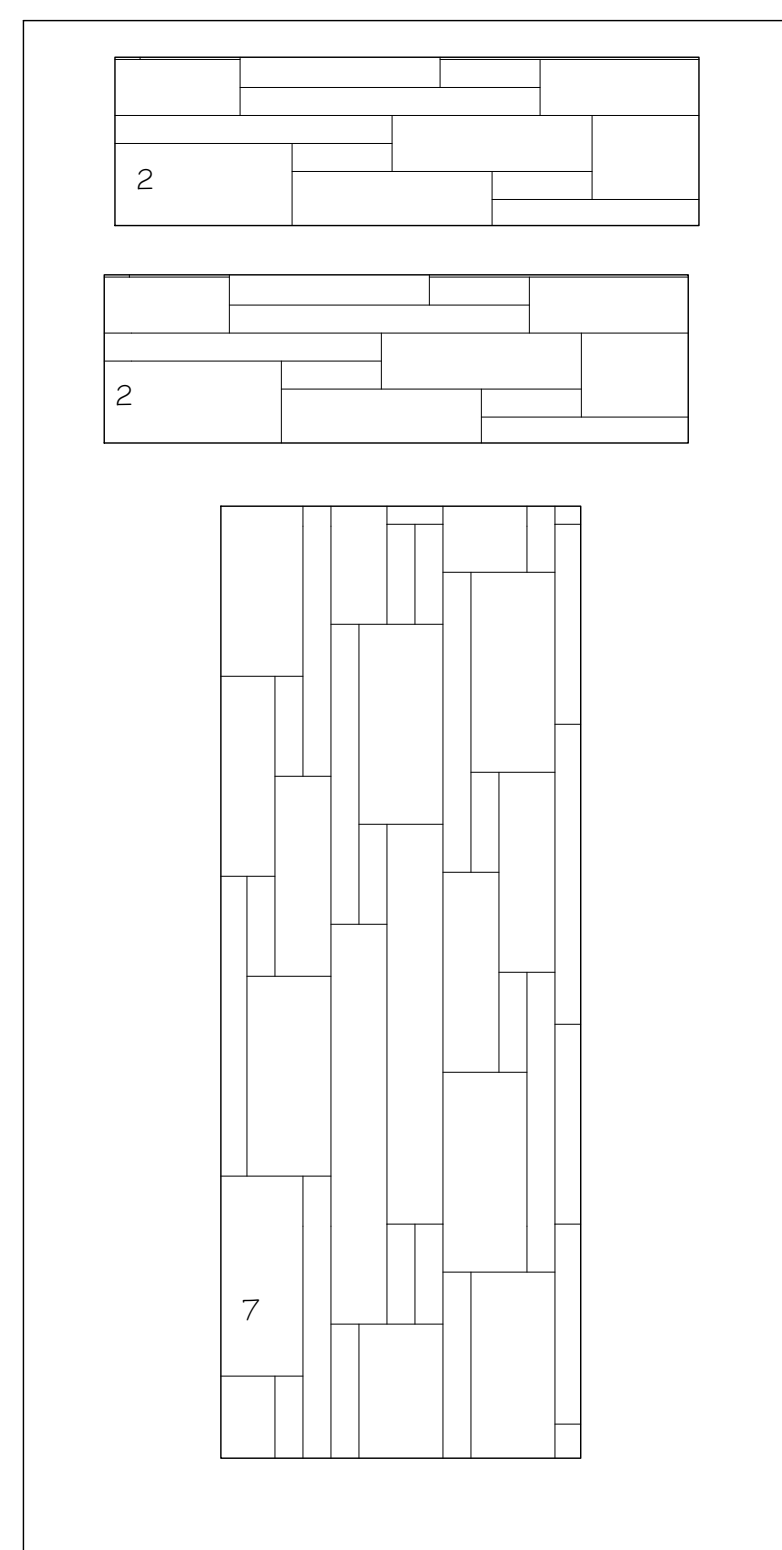


SIDE VIEW
PLEXI TRAP

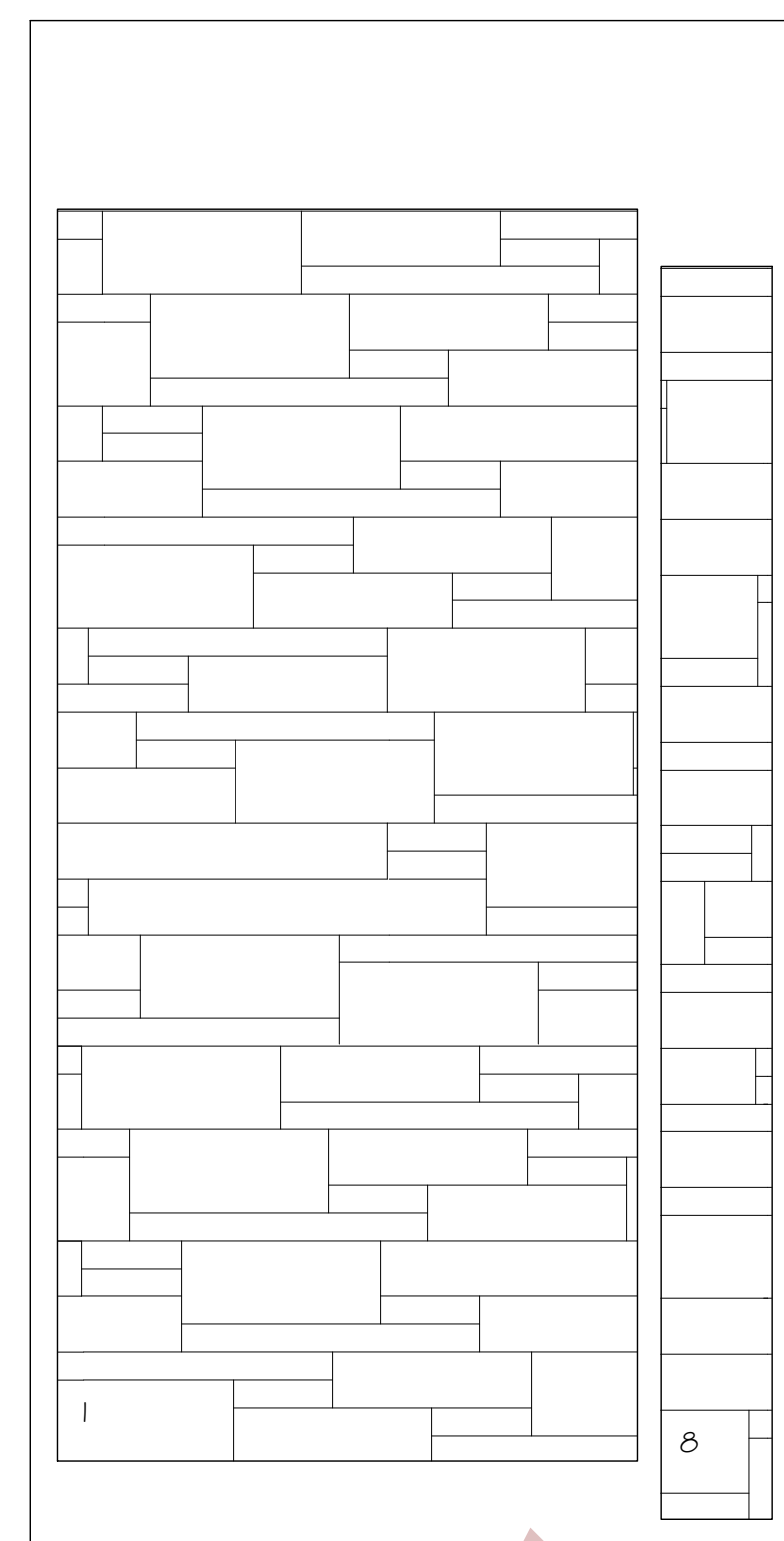


FRONT VIEW
STUD B
BUILD 2

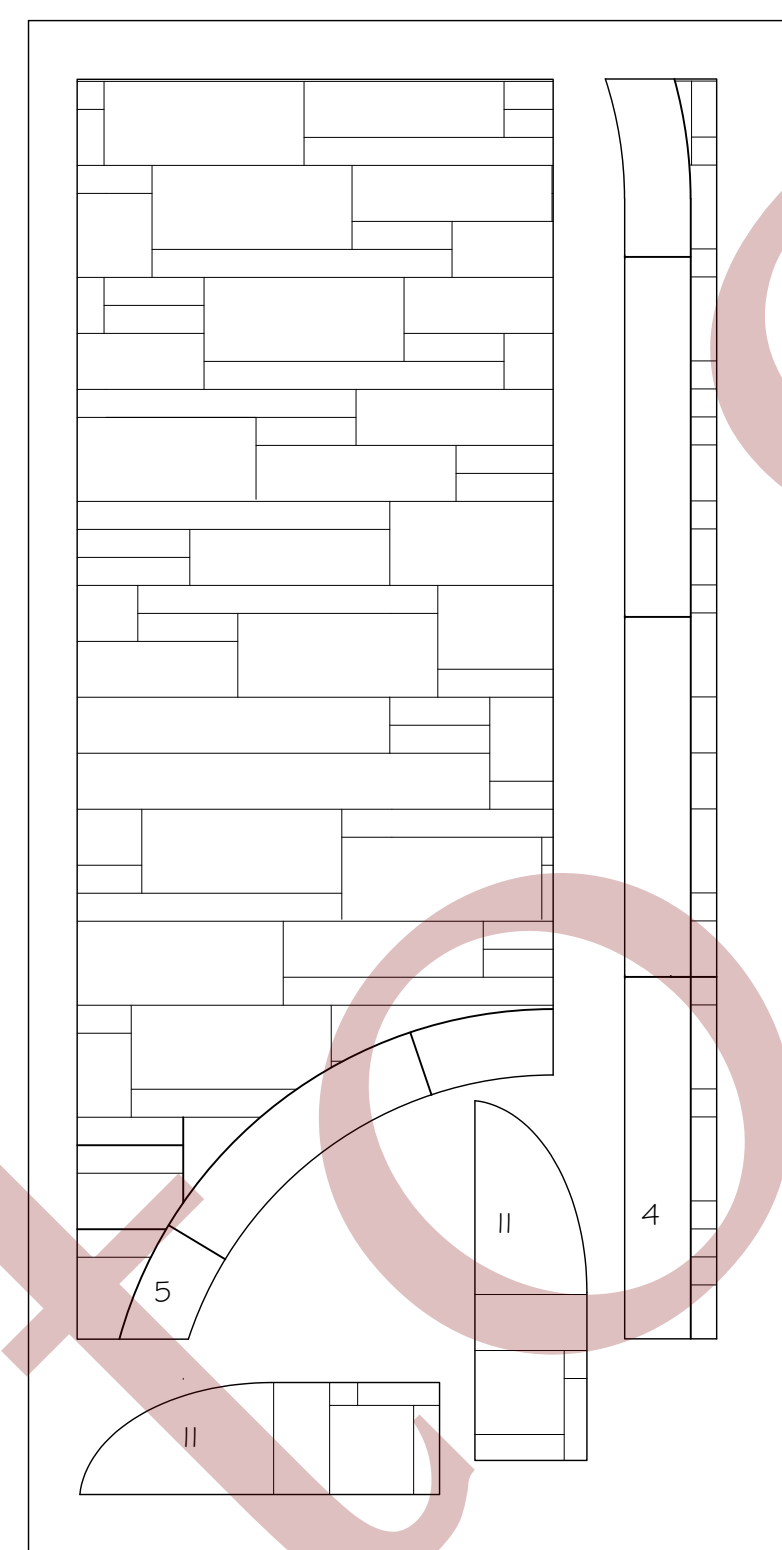
Indiana University Department of Theatre and Dance			
	PIPELINE TRAP UNIT		7
	DESIGNER: ASH COSSEY	DATE: 1/23/24	
	DIRECTOR: SAM WHITE	REV DATE:	
	DRAWN BY: RACHEL SHEARON	1" = 1'-0"	



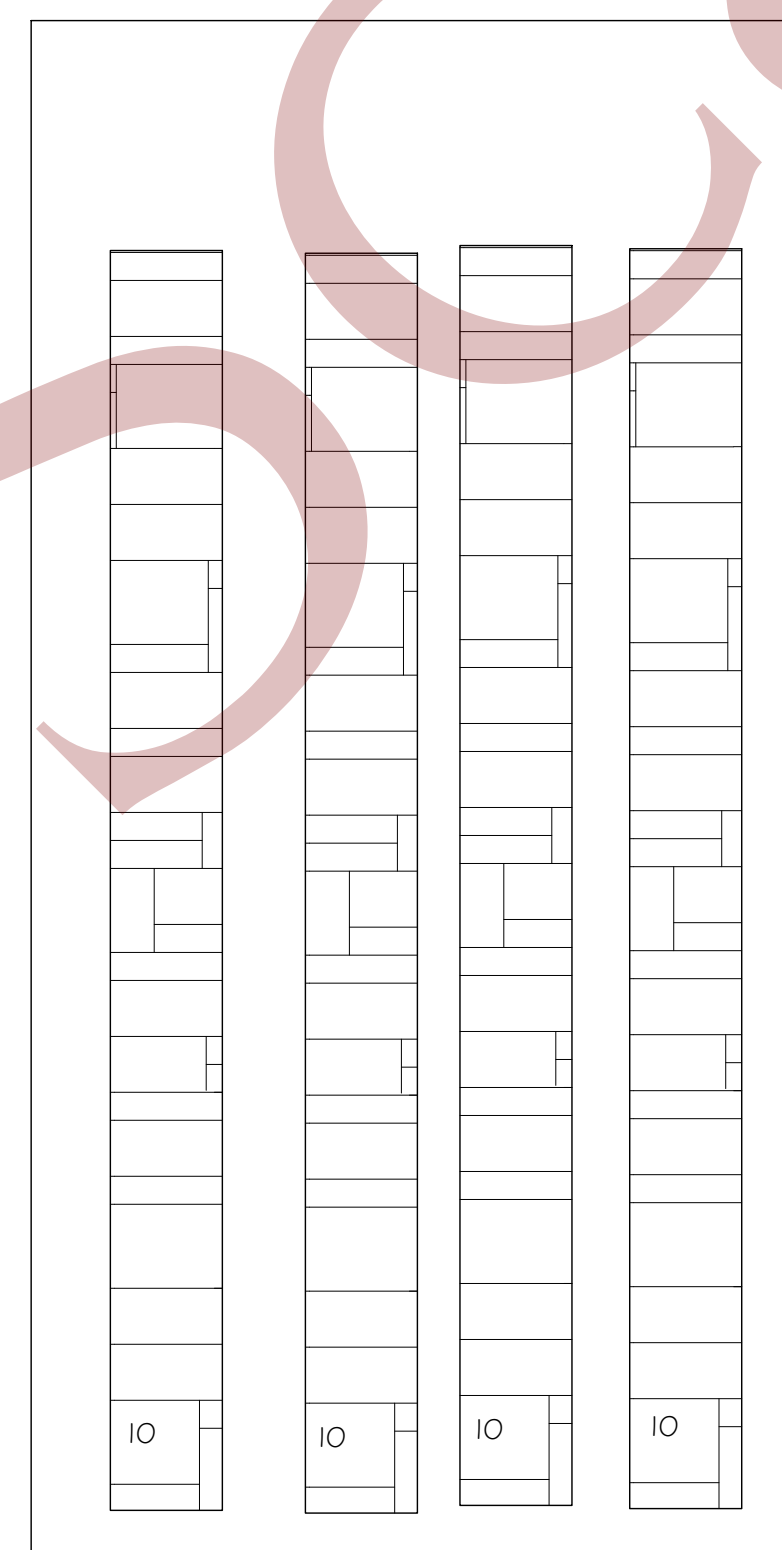
7 # 2
CUT 2



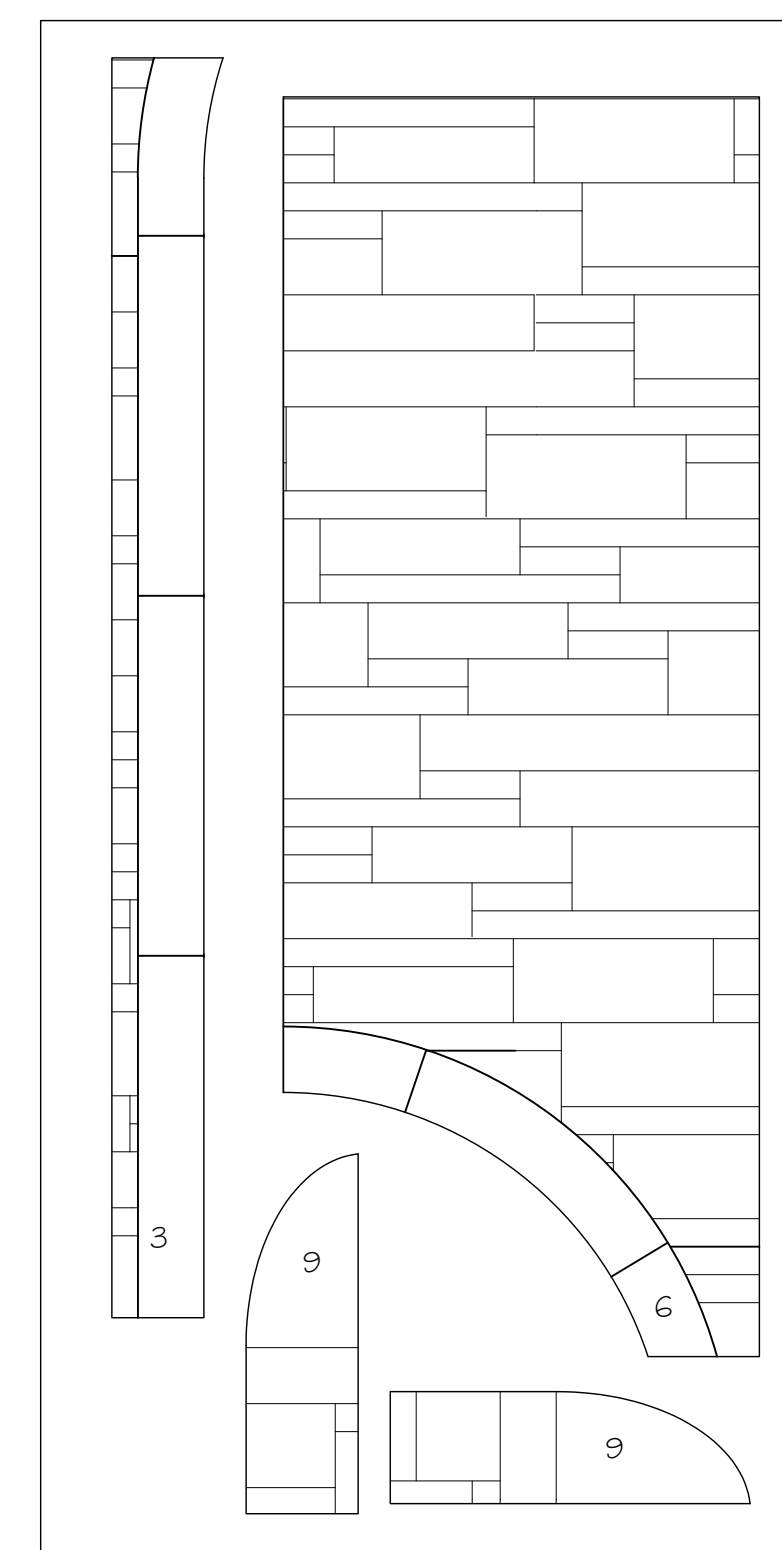
1 # 8
CUT 8



4, 5, 11
CUT 2



10
CUT 2




3, 6, 9
CUT 2

Not to Scale



SWEEP B TEMPLATE
3/4" PLYWOOD

Indiana University Department of Theatre and Dance				
 THEATRE & DANCE	PIPELINE SWEEP B TEMPLATE			B
	DESIGNER: ASH COSSEY	DATE: 1/23/24		
	DIRECTOR: SAM WHITE	REV. DATE:		
	DRAWN BY: RACHEL SHEARON	1'-0" = 1'-0"		